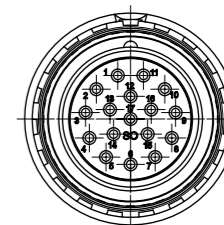
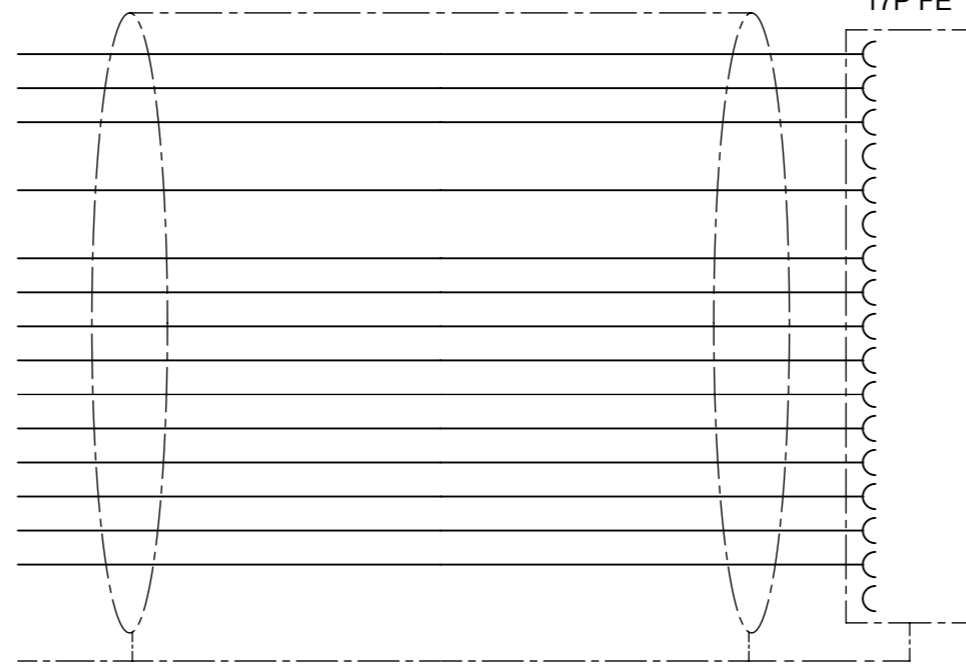


CABLE PRINT BLACK:
MOLEX (MOLEX PN) MXYWW
(ACCORDING TO WN-00017)



WIRING DIAGRAM

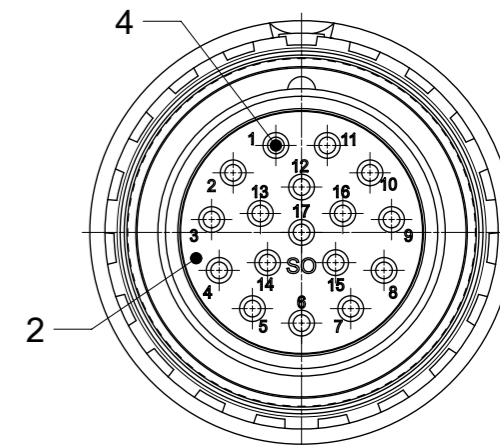


- 1 YE
- 2 GN
- 3 RD
- 4 N/U
- 5 BU
- 6 N/U
- 7 BN/BU
- 8 GN/BK
- 9 GN/RD
- 10 BN/RD
- 11 BK
- 12 BN
- 13 OG
- 14 WH/BK
- 15 BN/GY
- 16 BN/YE
- 17 N/U

SHIELD CONNECTED TO NUT

SHIELD

Connector pin assignment
Plug M23 17P FE



SCALE 2:1

Technical Data:

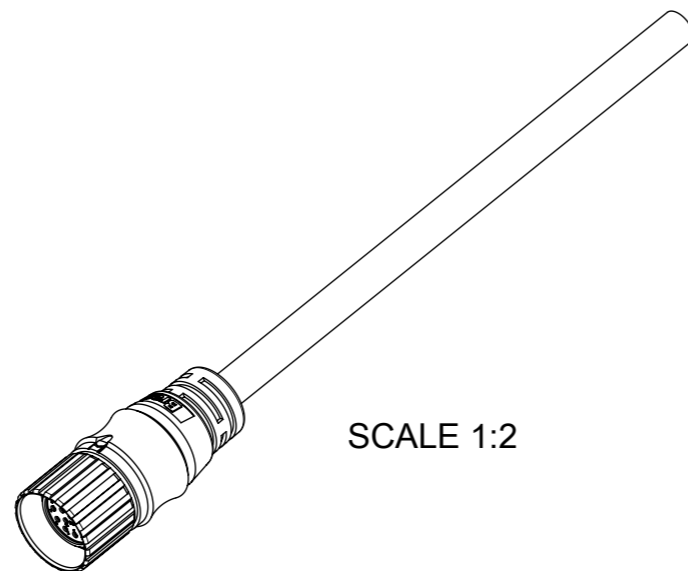
Contact Ø [mm]	1
Nominal current [A]	4,5 (for 0.50mm ² and for 0.25mm ²) / 3 (for 0.14mm ²)
Nominal voltage [V~]	160
Degree of pollution	3
Test voltage [V~]	1000
Max. contact resistance [mΩ]	3
Insulation resistance [MΩ]	> 100
Protection	IP67 (connected)
Temperature range (fixed)	-40°C to 90°C
Temperature range (flex)	-25°C to 80°C

Further technical data see
Product Specification 1204900050
Electrical Test according to 1204900051

Packaging:
The cordsets delivered packed into Carton.

TABLE 1

MOLEX PN	ENGINEERING No.	L [mm]	Tol. [mm]
1204900511	K0SJS00W10M010	1000	+40
1204900512	K0SJS00W10M020	2000	+60
1204900513	K0SJS00W10M030	3000	+60
1204900514	K0SJS00W10M040	4000	+60
1204900515	K0SJS00W10M050	5000	+60
1204900516	K0SJS00W10M100	10000	+80
1204900517	K0SJS00W10M150	15000	+140
1204900518	K0SJS00W10M200	20000	+140



SCALE 1:2

TABLE 2

ITEM	QTY	DESCRIPTION	MATERIAL	FINISH
1	1	NUT M23 FEMALE	BRASS	NICKEL PLATED
2	1	INSERT M23 FEMALE 17P BLACK	PA66	-
3	1	SHELL M23 FEMALE	BRASS	NICKEL PLATED
4	17	CONTACT 10 FEMALE	BRASS	GOLD
5	-	OVERMOLD BLACK	TPU	-
6	-	CABLE	WSOR	-

THIS DRAWING CONTAINS INFORMATION THAT IS PROPRIETARY TO MOLEX ELECTRONIC TECHNOLOGIES, LLC AND SHOULD NOT BE USED WITHOUT WRITTEN PERMISSION

SYMBOLS	DIMENSION UNITS	SCALE	CURRENT REV DESC:		
▽ = 0	mm	1:1	EC NO: 628246		
▽ = 0	GENERAL TOLERANCES (UNLESS SPECIFIED)		DRWN: SSM	2019/11/27	
▽ = 0	ANGULAR TOL ± 1.0°		CHK'D: RSILLER	2019/11/28	
▽ = 0	4 PLACES ±		APPR: RSILLER	2019/11/28	
▽ = 0	3 PLACES ±		INITIAL REVISION:		PRODUCT CUSTOMER DRAWING
▽ = 0	2 PLACES ± 0.05		DRWN: FGAIK	2016/12/15	DOCUMENT NUMBER
▽ = 0	1 PLACE ± 0.3		APPR: RSILLER	2017/02/02	1204900511
▽ = 0	0 PLACES ± 0.5		DRAFT WHERE APPLICABLE MUST REMAIN WITHIN DIMENSIONS		DOC TYPE
▽ = 0	THIRD ANGLE PROJECTION		DRAWING	SERIES	DOC PART
▽ = 0	A3-SIZE		120490	MATERIAL NUMBER	REVISION
			SEE TABLE 1	CUSTOMER	A3
			GENERAL MARKET	SHEET NUMBER	
			1 OF 1		