

1"-16 UN THREAD

Section Z-Z

WIRING DIAGRAM

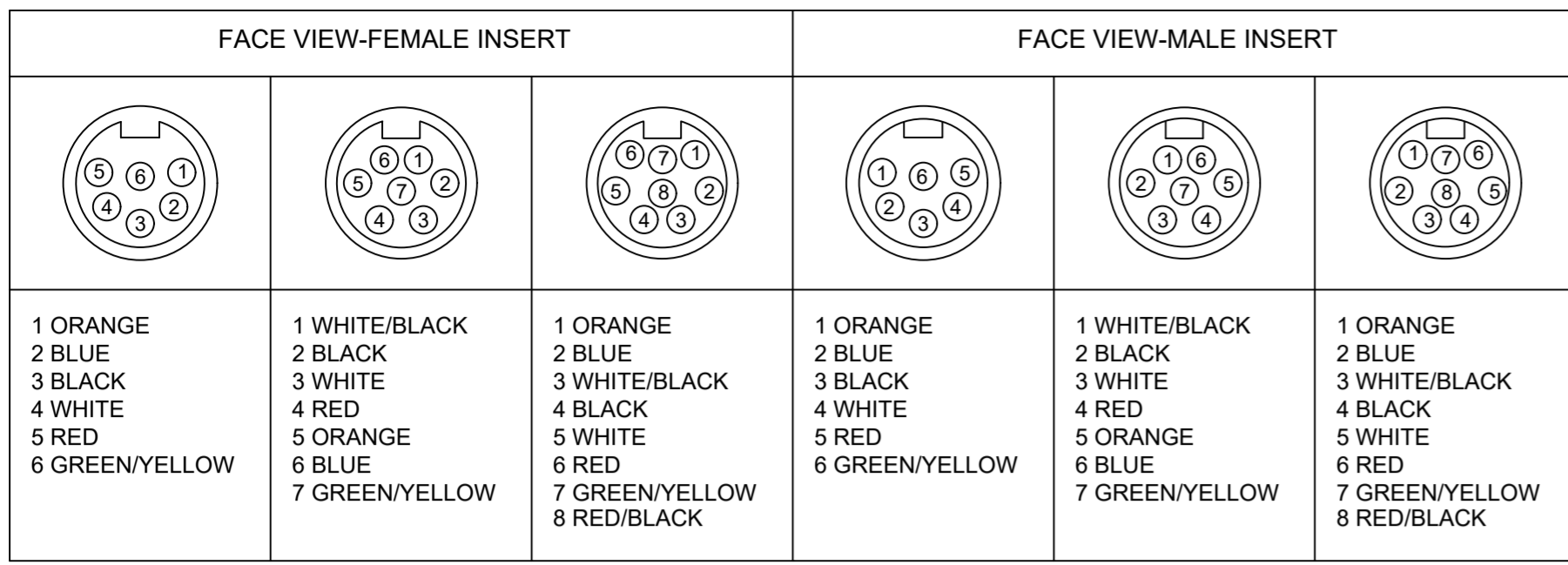
PART NUMBER	ENGINEERING NO.	LENGTH
1300110008	226020A01F030	3' 0" +1.75 - 0 [ .9M +44.5 - 0 ]
1300110010	226020A01F060	6' 0" +2.19 - 0 [ 1.8M +55.6 - 0 ]
1300110013	226020A01F090	9' 0" +3.50 - 0 [ 2.7M +88.9 - 0 ]
1300110016	226020A01F120	12' 0" +3.50 - 0 [ 3.7M +88.9 - 0 ]
1300110018	226020A01F150	15' 0" +6.50 - 0 [ 4.6M +165.1 - 0 ]
1300110019	226020A01F200	20' 0" +6.50 - 0 [ 6.1M +165.1 - 0 ]
1300110022	226020A01F250	25' 0" +12.50 - 0 [ 7.6M +317.5 - 0 ]
1300110023	226020A01F300	30' 0" +12.50 - 0 [ 9.1M +317.5 - 0 ]
1300110025	226020A01F350	35' 0" +12.50 - 0 [ 10.7M +317.5 - 0 ]
1300110026	226020A01F400	40' 0" +12.50 - 0 [ 12.2M +317.5 - 0 ]
1300110028	226020A01F500	50' 0" +24.50 - 0 [ 15.2M +622.3 - 0 ]
1300110029	226020A01F650	65' 0" +24.50 - 0 [ 19.8M +622.3 - 0 ]
1300110031	226020A01F750	75' 0" +24.50 - 0 [ 22.9M +622.3 - 0 ]

- NOTES:
- MATERIAL: SEE TABLE
  - FINISHES: SEE TABLE
  - CABLE ASSEMBLIES ARE BAGGED SEPARATELY IN POLY BAGS WITH BARCODE LABEL ATTACHED TO OUTSIDE OF BAG
  - WRAP LABEL IS MARKED WITH P/N, DATE CODE VOLTAGE & AMPERAGE
  - MATES WITH: MINI CHANGE, C-SIZE 6 POLE RECEPTACLE
  - ELECTRICAL SPECIFICATIONS:  
VOLTAGE RATING: 600V  
CURRENT RATING: 8 AMPS
  - ASSEMBLY IS RoHS COMPLIANT

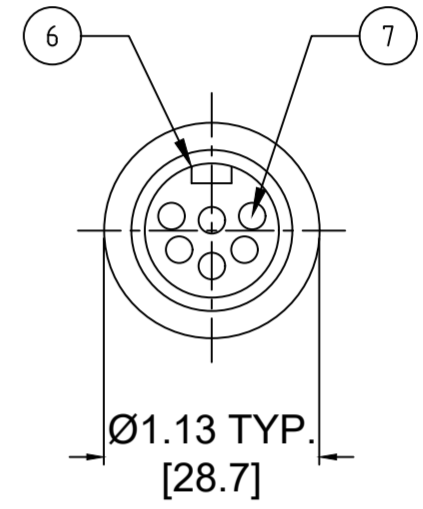
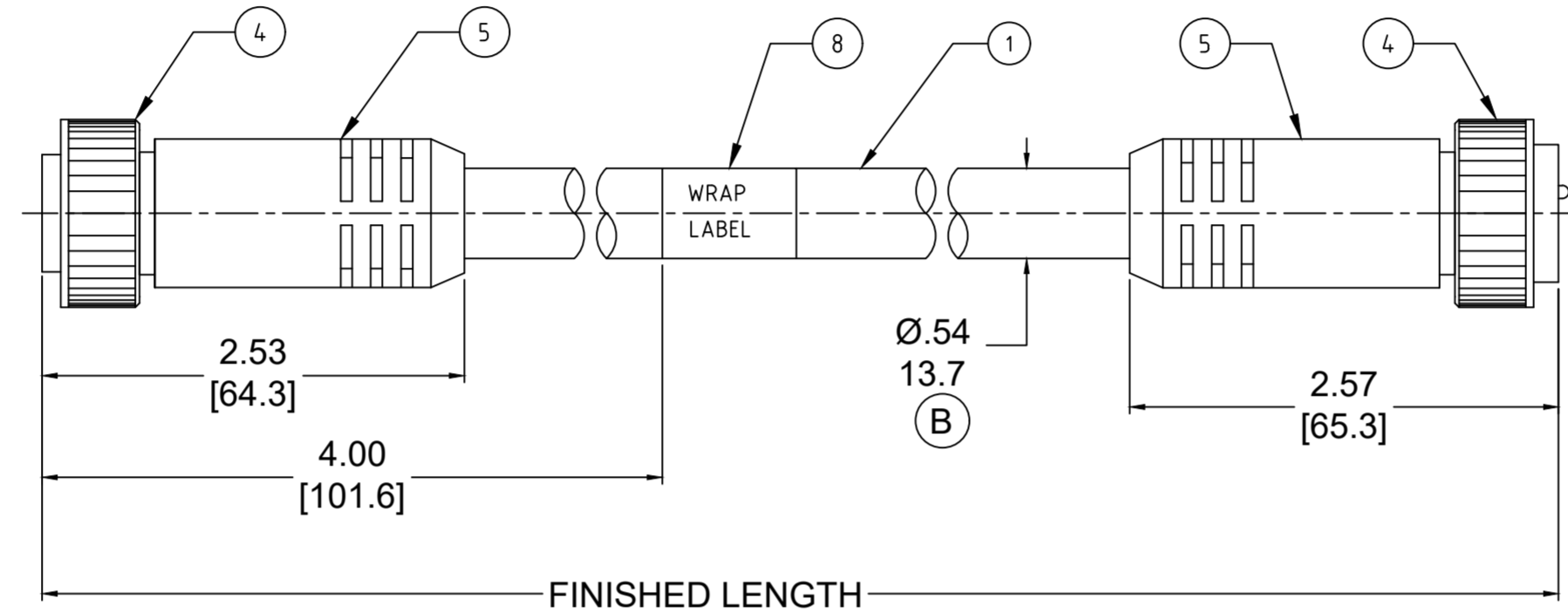
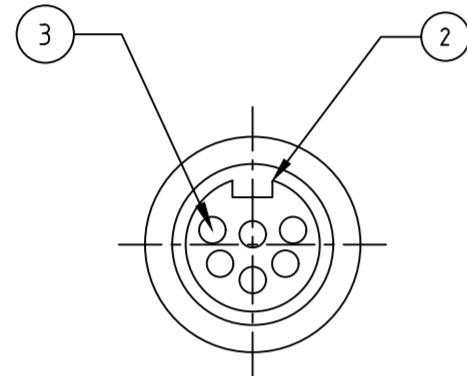
S2		P1
1	ORANGE	1
2	BLUE	2
3	BLACK	3
4	WHITE	4
5	RED	5
6	GREEN YELLOW	6

ITEM	QTY.	DESCRIPTION	MATERIAL	FINISH
10	1	LABEL	PLASTIC FILM	BLACK/YELLOW
9	6	PIN CONTACT	BRASS	GOLD PLATED
8	1	INSERT, MALE, 6 POLE	PVC	YELLOW
7	2	OVERMOLD	PVC	YELLOW
6	2	COUPLING NUT	ZINC DIE CAST	BLACK
5	2	FRICITION RING	NYLON	NATURAL
4	6	SOCKET CONTACT	BRASS	GOLD PLATED
3	6	SOCKET SLEEVE	STAINLESS STEEL	
2	1	INSERT, FEMALE, 6 POLE	PVC	YELLOW
1	1	CABLE, 16-6 ST00W/ST	PVC JACKET	YELLOW

RELEASED EC NO: MNA2009-0627 DRAWN BY: DRWINRSTONE 2009/04/03 CHKD BY: WOODMAN APPR: J.MURPHY 2009/04/08	DESCRIPTION REV	QUALITY SYMBOLS ▽=0 ▽=0	GENERAL TOLERANCES (UNLESS SPECIFIED) <table border="1"> <tr> <th></th> <th>mm</th> <th>INCH</th> </tr> <tr> <td>4 PLACES ±</td> <td>---</td> <td>±---</td> </tr> <tr> <td>3 PLACES ±</td> <td>---</td> <td>±---</td> </tr> <tr> <td>2 PLACES ±</td> <td>---</td> <td>±.01</td> </tr> <tr> <td>1 PLACE ±</td> <td>0.3</td> <td>±---</td> </tr> </table>		mm	INCH	4 PLACES ±	---	±---	3 PLACES ±	---	±---	2 PLACES ±	---	±.01	1 PLACE ±	0.3	±---	DIMENSION STYLE <b>IN/MM</b>	SCALE <b>1:1</b>	DESIGN UNITS <b>INCH</b>	THIRD ANGLE PROJECTION
			mm	INCH																		
		4 PLACES ±	---	±---																		
		3 PLACES ±	---	±---																		
2 PLACES ±	---	±.01																				
1 PLACE ±	0.3	±---																				
DRAFT WHERE APPLICABLE MUST REMAIN WITHIN DIMENSIONS			DRAWN BY: R.STONE DATE: 2009/04/02 CHECKED BY: B.WOODMAN DATE: 2009/04/03 APPROVED BY: J.MURPHY DATE: 2008/04/06	TITLE <b>MINI-CHANGE CORD ASSY MALE/FEMALE, B-SIZE 6 POLE</b>																		
MATERIAL NO. <b>SEE CHART</b>			MOLEX INCORPORATED																			
SIZE <b>C</b>			DOCUMENT NO. <b>SD-130011-001</b>				SHEET NO. <b>1 OF 1</b>															



PART NO	ENGINEERING NO.	FINISHED LENGTH
1300110008	226020A01F030	3FT [ 0.9M ]
1300110082	227020A01M300	30M [ 98FT 5 IN ]
1300110158	228020A01M600	60M [ 196FT 10 IN ]



- NOTES:
- MATERIAL: AS NOTED
  - FINISH: AS NOTED
  - ELECTRICAL:
    - 6 POLE: VOLTAGE: 400V PER IEC60664  
600V PER UL2238  
CURRENT: 8A
    - 7 POLE: VOLTAGE: 320V PER IEC60664  
600V PER UL2238  
CURRENT: 8A
    - 8 POLE: VOLTAGE: 320V PER IEC60664  
600V PER UL2238  
CURRENT: 7A
  - TEMP RATING: -20°TO +105°C
  - PROTECTION: IP67 (WHEN MATED)
  - COUPLING THREAD: 1"-16 UN
  - UL RECOGNIZED FILE: E152210  
CSA CERTIFIED FILE: LR6837 (B)
  - ALL DIMENSIONS ARE FOR REFERENCE UNLESS TOLERANCED OR NOTED OTHERWISE

**PART NO. MATRIX**  
**227020A01M010**

POLES (6,7,8)      FINISHED LENGTH:  
 M005= 0.5 METER  
 M010= 1 METER  
 M100= 10 METER

F010= 1 FOOT  
 F100= 10 FEET

**CABLE LENGTH TOLERANCES**

>.3M [1FT]:	+19mm-0 [ +.75in-0]
.3 - .9M [1 - 3FT]:	+44.5mm-0 [+1.75in-0]
.9 - 1.8M [3 - 6FT]:	+55.6mm-0 [+2.19in-0]
1.8 - 3.7M [6 - 12FT]:	+88.9mm-0 [+3.50in-0]
3.7 - 7.3M [12 - 24FT]:	+165.1mm-0 [+6.50in-0]
7.3-14.6M [24 - 48FT]:	+317.5mm-0 [+12.50in-0]
14.6 - 30.5M [48-100FT]:	+622.3mm-0 [+24.50in-0]
OVER 30M [100FT]	+2% OF FINISHED LENGTH

8	WRAP LABEL	VINYL	BLACK/YELLOW
7	CONTACT PIN	COPPER ALLOY	GOLD PLATED
6	MALE INSERT	TPE	YELLOW
5	OVERMOLD	TPE	YELLOW
4	COUPLING	ZINC DIE-CAST	BLACK
3	CONTACT SOCKET	COPPER ALLOY	GOLD PLATED
2	FEMALE INSERT	TPE	YELLOW
1	CABLE, 16AWG, TPE,STOOW	PVC JACKET	YELLOW
ITEM	DESCRIPTION	MATERIAL	FINISH

FUNCTIONAL SYMBOLS FA=0 FC=0 FP=0	THIS DRAWING CONTAINS INFORMATION THAT IS PROPRIETARY TO MOLEX ELECTRONIC TECHNOLOGIES, LLC AND SHOULD NOT BE USED WITHOUT WRITTEN PERMISSION		CURRENT REV DESC: ITEM# 2, 5 & 6 WERE PVC. ADDED "CSA" IN NOTES. ADDED CABLE DIA. MODIFIED MATERIAL TABLE	
	DIMENSION UNITS	SCALE	EC NO: 643513	
	INCH/MM	NTS	DRWN: ABENJAMINLW	2020/07/29
	GENERAL TOLERANCES (UNLESS SPECIFIED)		CHK'D: RSTONE	2020/08/28
DIVISIONAL SYMBOLS	mm	INCH	APPR: BWOODMAN	2020/09/15
4 PLACES	±----	±----	INITIAL REVISION:	
3 PLACES	±----	±----	DRWN: RSTONE	2016/11/30
2 PLACES	±----	±----	APPR: BWOODMAN	2016/12/20
1 PLACE	±----	±----	ANGULAR TOL ± 0.5 °	
0 PLACES	±----	±----	THIRD ANGLE PROJECTION	
DRAFT WHERE APPLICABLE MUST REMAIN WITHIN DIMENSIONS		DRAWING		SHEET NUMBER
		C-SIZE	SERIES	139990
DOCUMENT STATUS		P1	RELEASE DATE	2020/09/15 20:43:15
		MATERIAL NUMBER		CUSTOMER
		SEE CHART	GENERAL MARKET	1 OF 1

**molex**

MINI-CHANGE CORDSET, B-SIZE,  
 6-8 POLE, MALE-FEMALE, STRAIGHT, SINGLE KEY,  
 16 AWG

PRODUCT CUSTOMER DRAWING

DOCUMENT NUMBER: **SD-130011-006**      DOC TYPE/DOC PART/REVISION: PSD 001 B