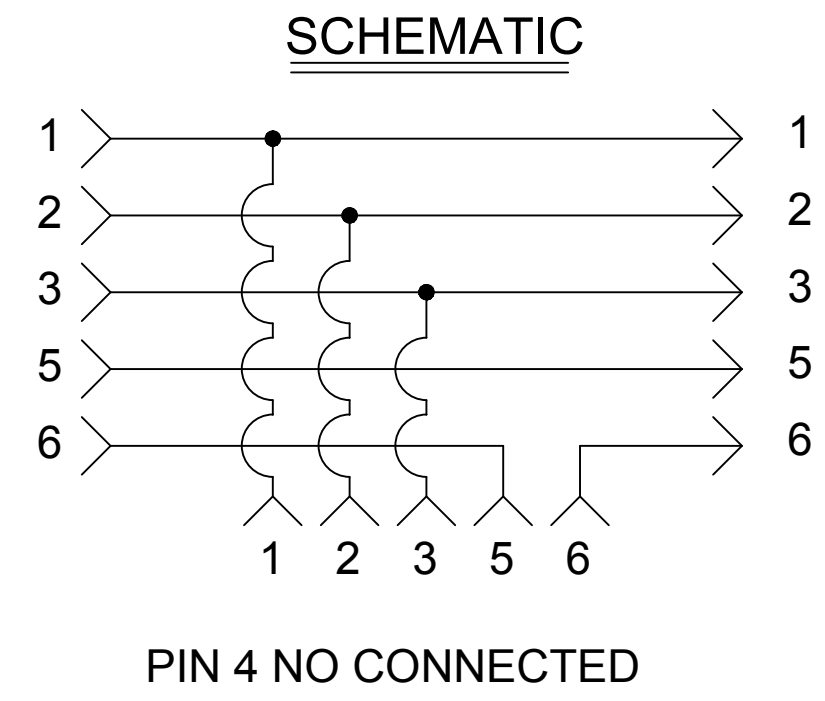
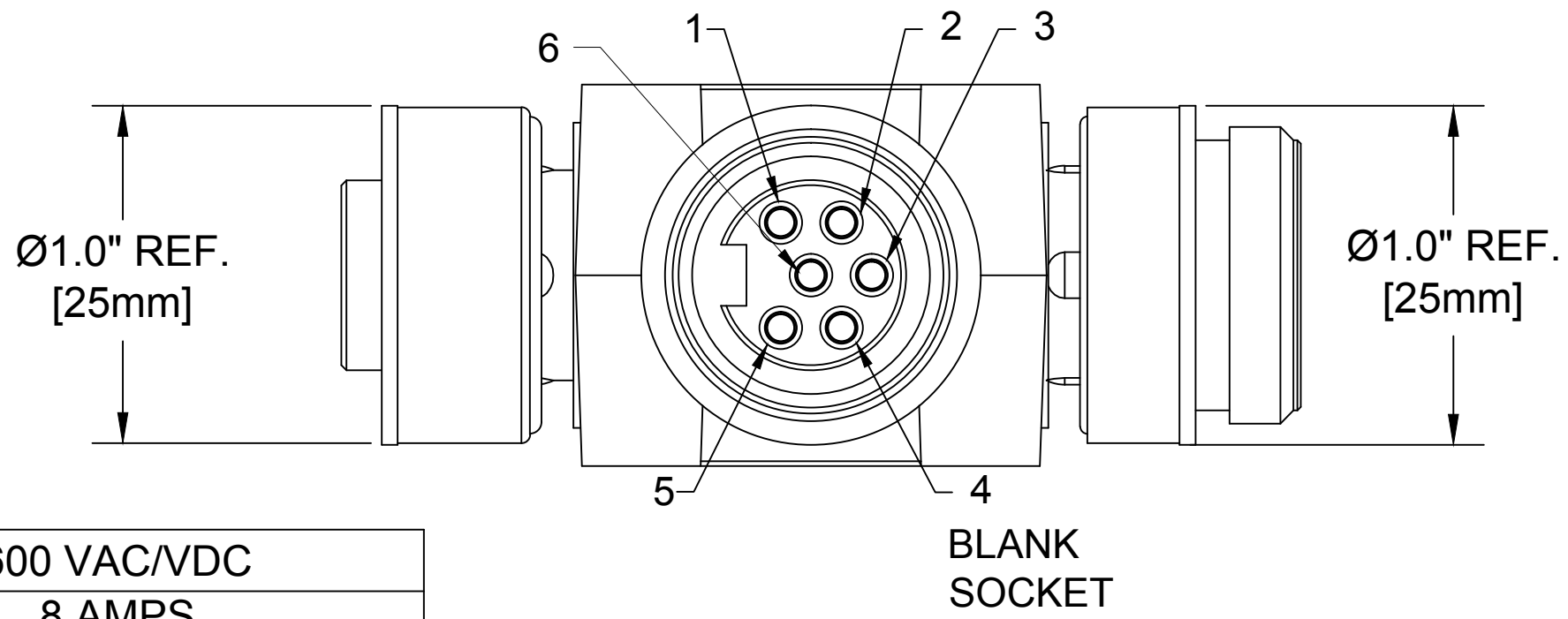
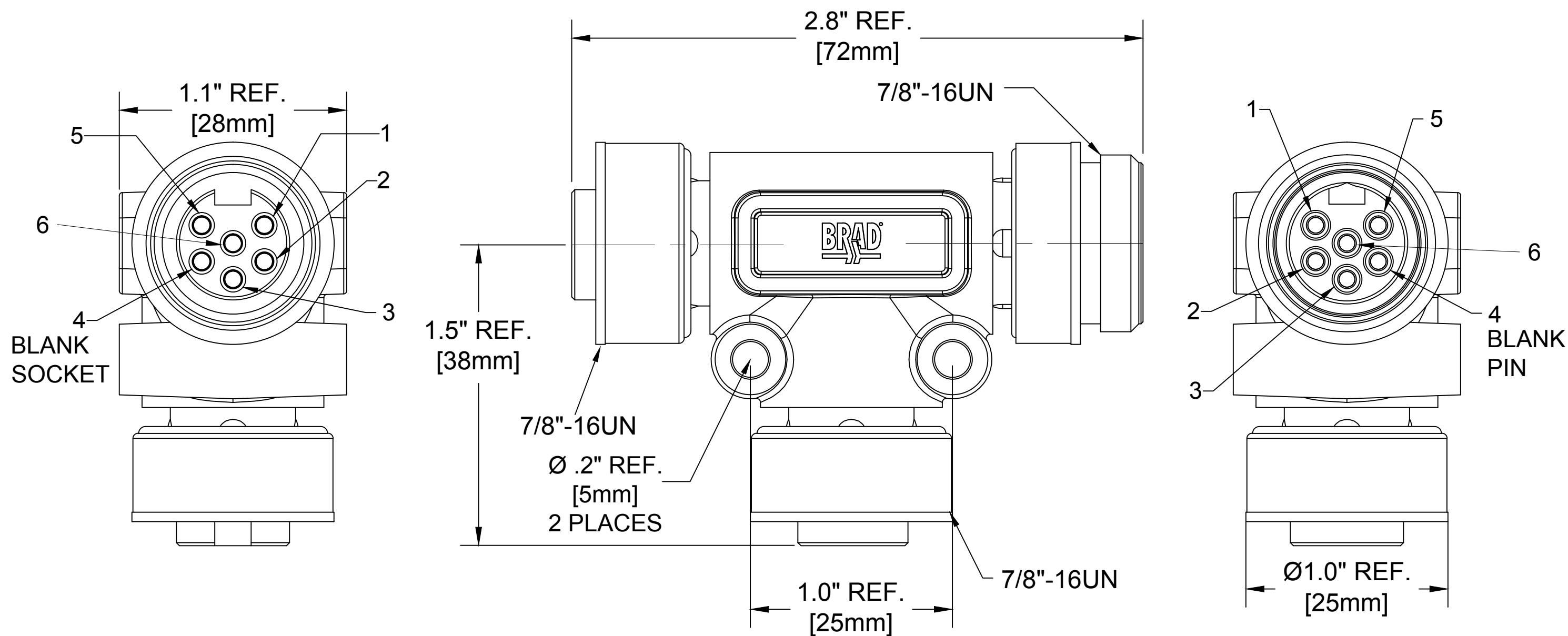


MATERIAL NUMBER

130035-0030

OLD PART NUMBER

61451-ESIN



VOLTAGE RATING	600 VAC/VDC
AMPERAGE RATING	8 AMPS
PROTECTION	IP67
OPERATING TEMPERATURE	-20°C TO 80°C

COMPONENT	MATERIAL	FINISH
INSERT	PVC	YELLOW
CONTACT SOCKET	COPPER ALLOY	GOLD OVER NICKEL
CONTACT PIN	COPPER ALLOY	GOLD OVER NICKEL
COUPLING NUT	ZINC DIE CAST	BLACK E-COATED
OVERMOLD	RITFLEX	RED

RELEASE EC NO: IFC2014-0871 DRWN: BWOODMAN2010/05/25 CH'KD: BARDEN APPR: BWOODMAN2013/11/20 A	QUALITY SYMBOL ▽=0 ▽=0	GENERAL TOLERANCES (UNLESS SPECIFIED) 4 PLACES ±--- ±--- 3 PLACES ±--- ±.005 2 PLACES ±0.13 ±.010 1 PLACE ±0.25 ±.020	DIMENSION STYLE IN/MM DRAWN BY DATE BWOODMAN 2010/05/25 CHECKED BY DATE BARDEN 2013/11/21 APPROVED BY DATE BWOODMAN 2013/11/20	SCALE NTS DESIGN UNITS INCH THIRD ANGLE PROJECTION	TITLE MINI-CHANGE 6-POLE TEE ESTOP-IN TEE WITH PIN 4 BLANK MOLEX INCORPORATED DOCUMENT NO. SD-130035-012 SHEET NO. 1 OF 1
	ANGULAR ±1/2° DRAFT WHERE APPLICABLE MUST REMAIN WITHIN DIMENSIONS	MATERIAL NO. SEE CHART SIZE C	THIS DRAWING CONTAINS INFORMATION THAT IS PROPRIETARY TO MOLEX INCORPORATED AND SHOULD NOT BE USED WITHOUT WRITTEN PERMISSION		