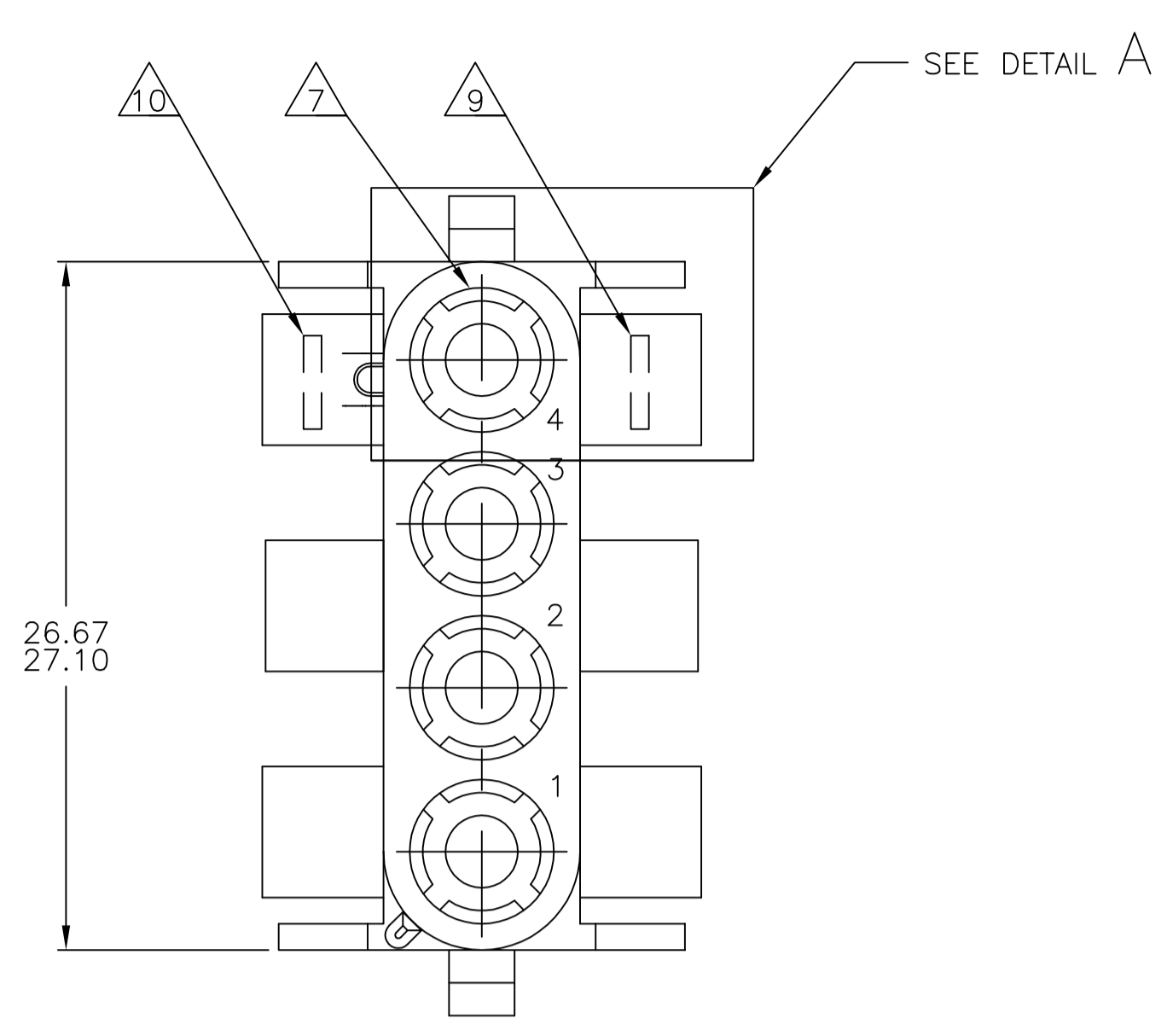
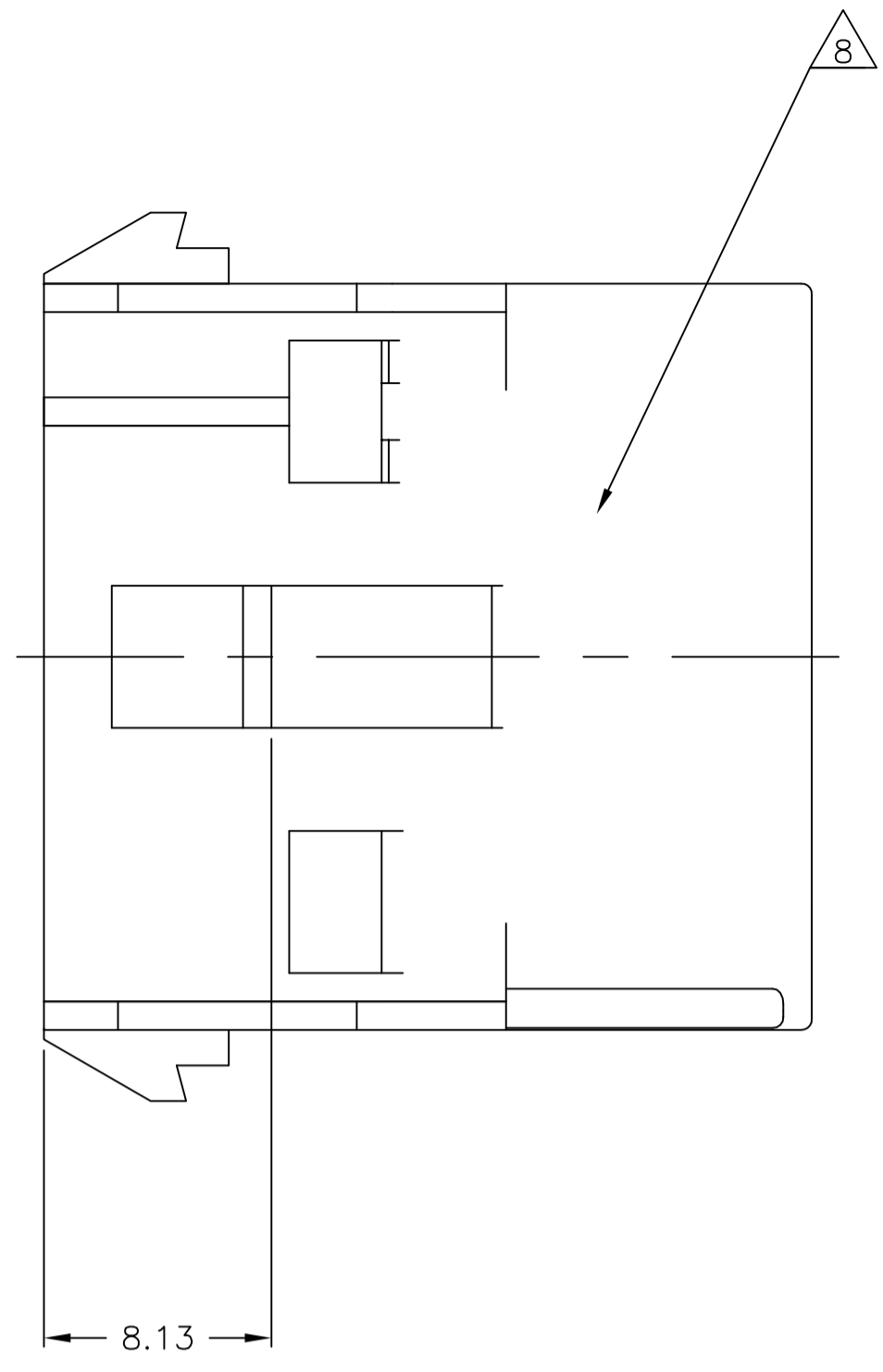
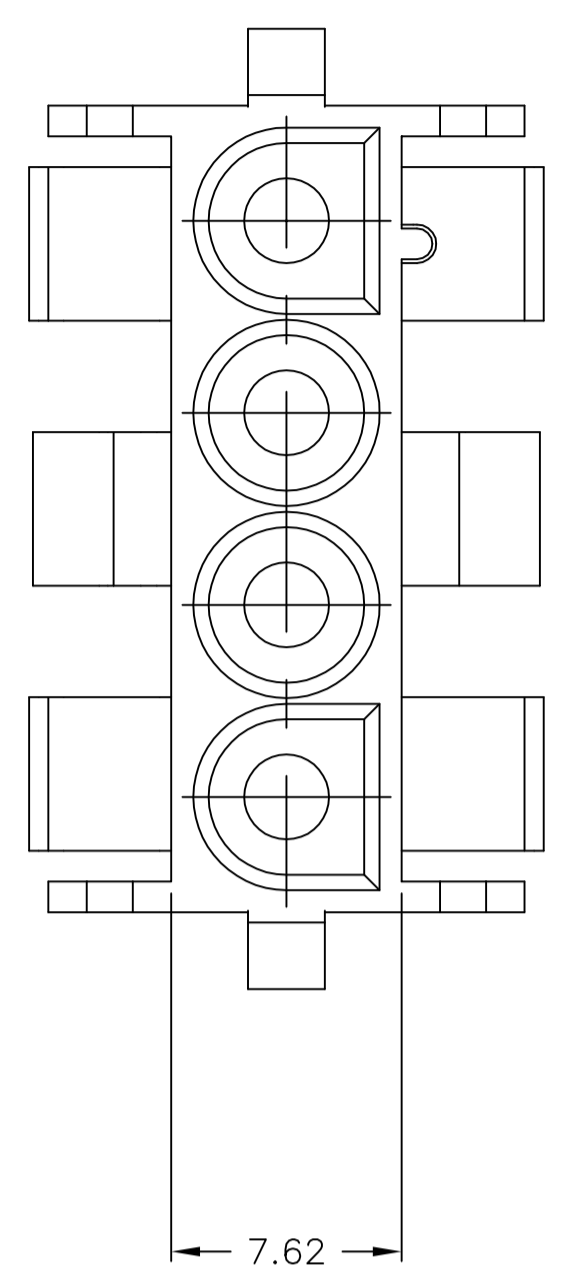
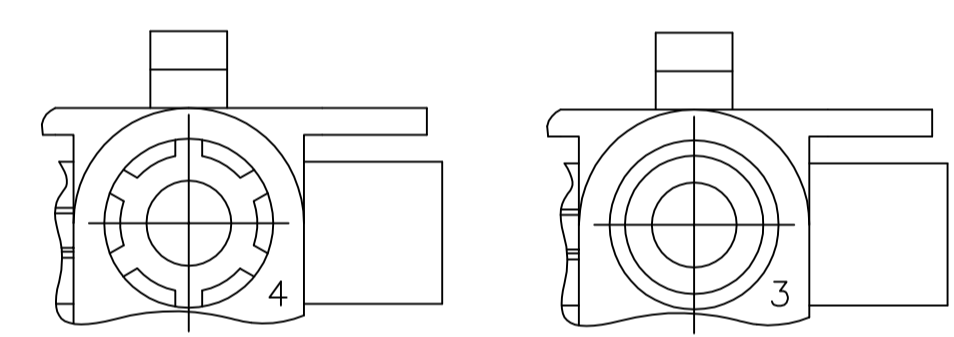


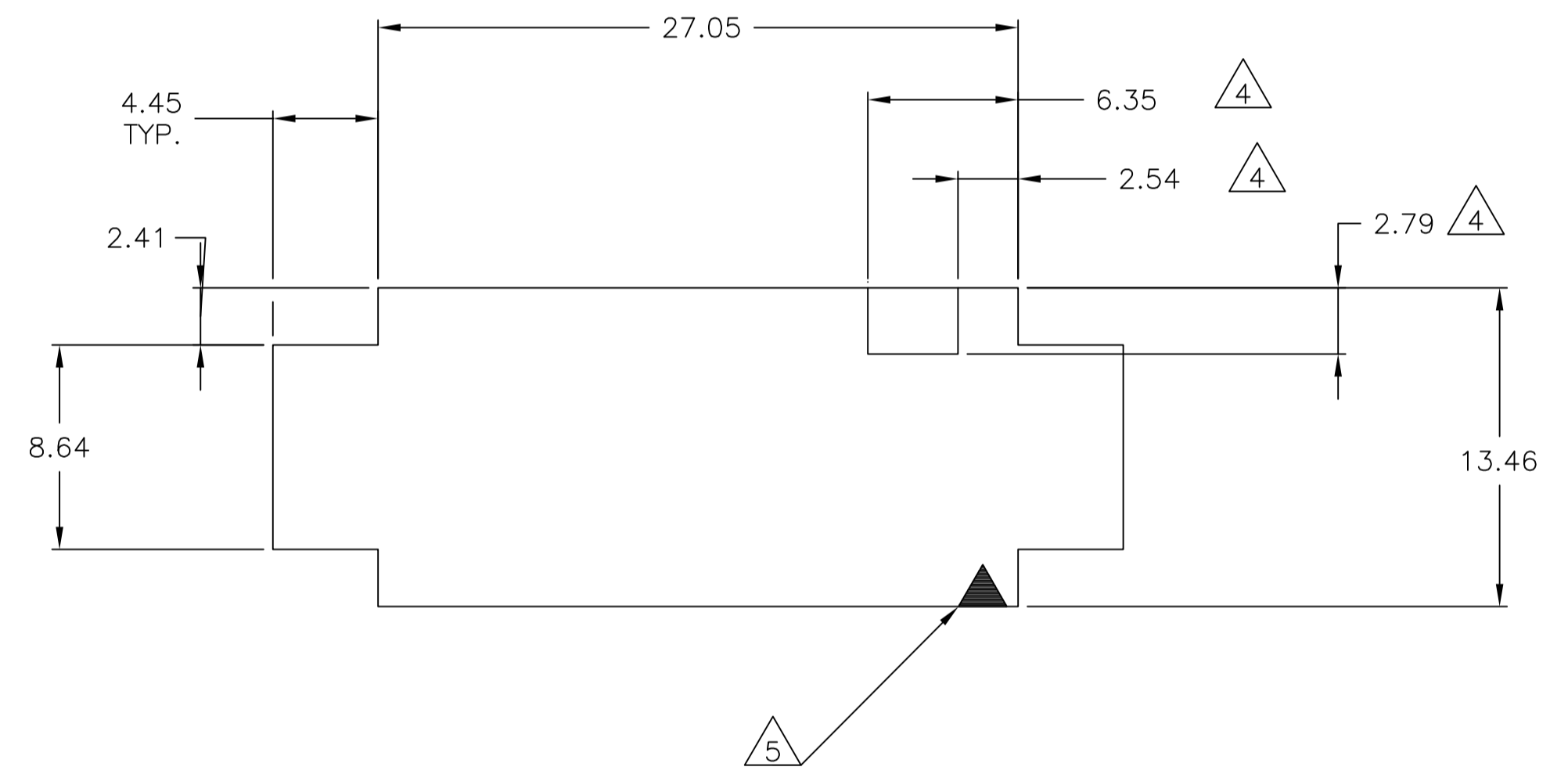
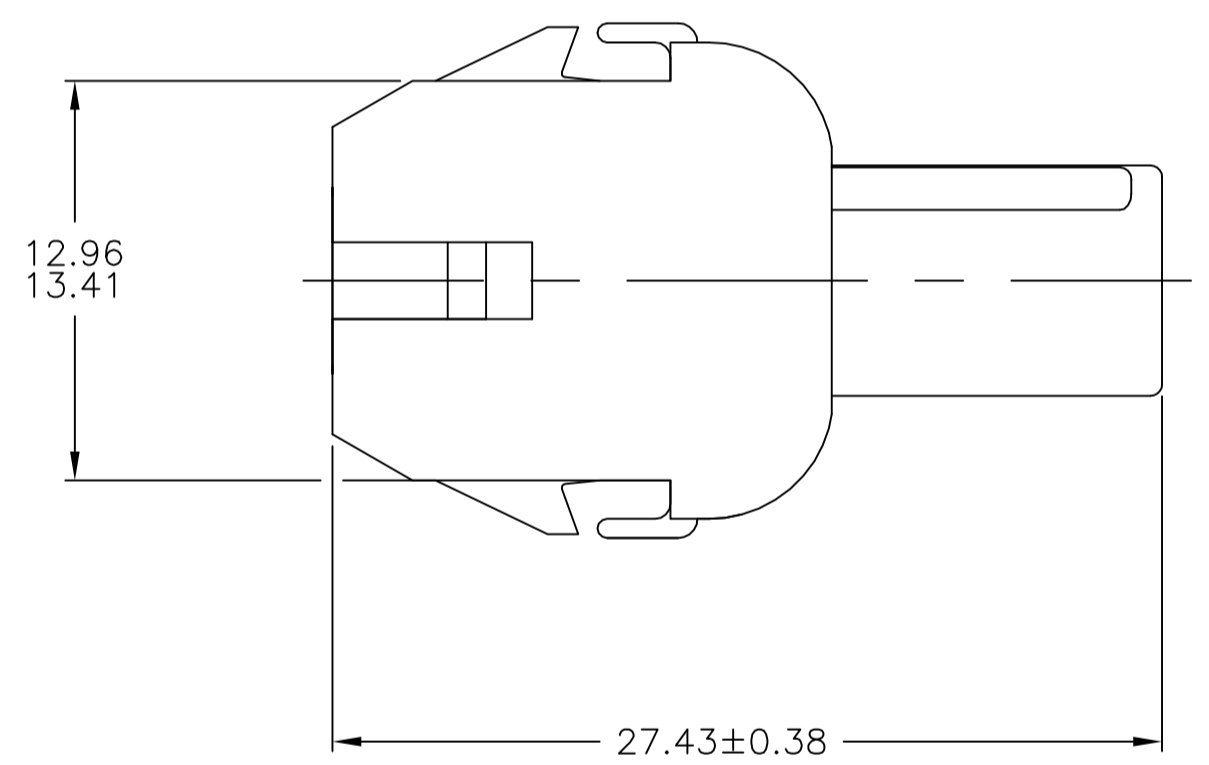
REVISIONS				
P	LTR	DESCRIPTION	DATE	OWN / APP'D
C1		REVISED PER ECR-17-015449	26OCT2017	BDA / KR



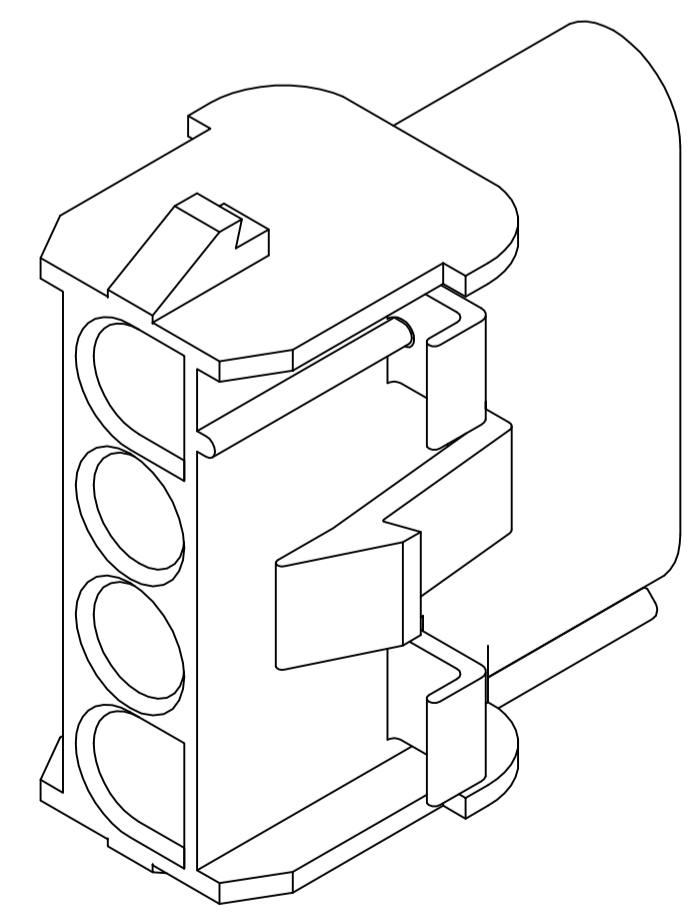
- MATES WITH APPROPRIATE UNIVERSAL MATE-N-LOK™ PLUG.
- RECOMMENDED PANEL THICKNESS 0.76 - 2.29.
- PANEL MUST BE PUNCHED SO THAT THE HOUSING ENTERS THE PANEL IN THE SAME DIRECTION AS THE PUNCH.
- OPTIONAL FOR KEYING HOUSING IN PANEL.
- CIRCUIT NUMBER 1 LOCATION.
- DIMENSIONS SHOWN REPRESENT PRODUCT IN DRY, AS MOLDED, CONDITION. ADDITIONAL 2% GROWTH DUE TO SUBSEQUENT MOISTURE ABSORPTION MAY OCCUR AND SHOULD BE ACCOUNTED FOR.
- FOUR RIBS EQUALLY SPACED, NO SPECIFIC ORIENTATION. NO RIBS OR SIX RIBS EQUALLY SPACED, NO SPECIFIC ORIENTATION, OPTIONAL.
- UNDERWRITERS RECOGNIZED COMPONENT LOGO AND CSA CERTIFICATION LOGO TO BE LOCATED ONCE EACH ON SIDE OF HOUSING.
- MANUFACTURING LOCATION ID (OPTIONAL).
- TRADEMARK LOCATION (AMP OR TYCO).
- FLAMMABILITY V2 FOR THICKNESS 0.38mm, 1.5mm, and 3.0mm PER IEC 60695-11-10.
- GLOW-WIRE FLAMMABILITY (GWFI) 800°C FOR THICKNESS 0.38mm AND 0.75mm PER IEC 60695-2-12.
- GLOW-WIRE FLAMMABILITY (GWFI) 960°C FOR THICKNESS 1.5mm AND 3.0mm PER IEC 60695-2-12.
- GLOW-WIRE IGNITION (GWIT) 825°C FOR THICKNESS 0.38mm, 0.75mm, 1.5mm AND 3.0mm PER IEC 60695-2-13.



DETAIL A
OPTIONAL CONSTRUCTIONS



RECOMMENDED PANEL CUT OUT



3-DIMENSIONAL MODEL
NTS

6.35	.250	27.43	1.080
4.45	.175	27.10	1.067
3	.118	27.05	1.065
2.79	.110	26.67	1.050
2.54	.100	13.46	.530
2.41	.095	13.41	.528
2.29	.090	12.96	.510
0.76	.030	8.64	.340
0.4	.016	8.13	.320
0.38	.015	7.62	.300
MM	IN	MM	IN

CONVERSION TABLE

THIS DRAWING IS A CONTROLLED DOCUMENT.

DIMENSIONS:	TOLERANCES UNLESS OTHERWISE SPECIFIED:	DWN K. WHITAKER 18JUL2007	1586845-1
mm	0 PLC ± - 1 PLC ± - 2 PLC ± 0.25 3 PLC ± - 4 PLC ± - ANGLES ± 0°30'	CHK D. COLEY 18JUL2007	NATURAL COLOR
MATERIAL NYLON, UL94V-2		AP'D D. COLEY 18JUL2007	1586845-1 PART NO
FINISH		NAME	TE Connectivity
CUSTOMER DRAWING		SIZE	A1
SCALE 4:1		CAGE CODE	00779
SHEET 1 of 1		DRAWING NO	1586845
REV C1		RESTRICTED TO	-