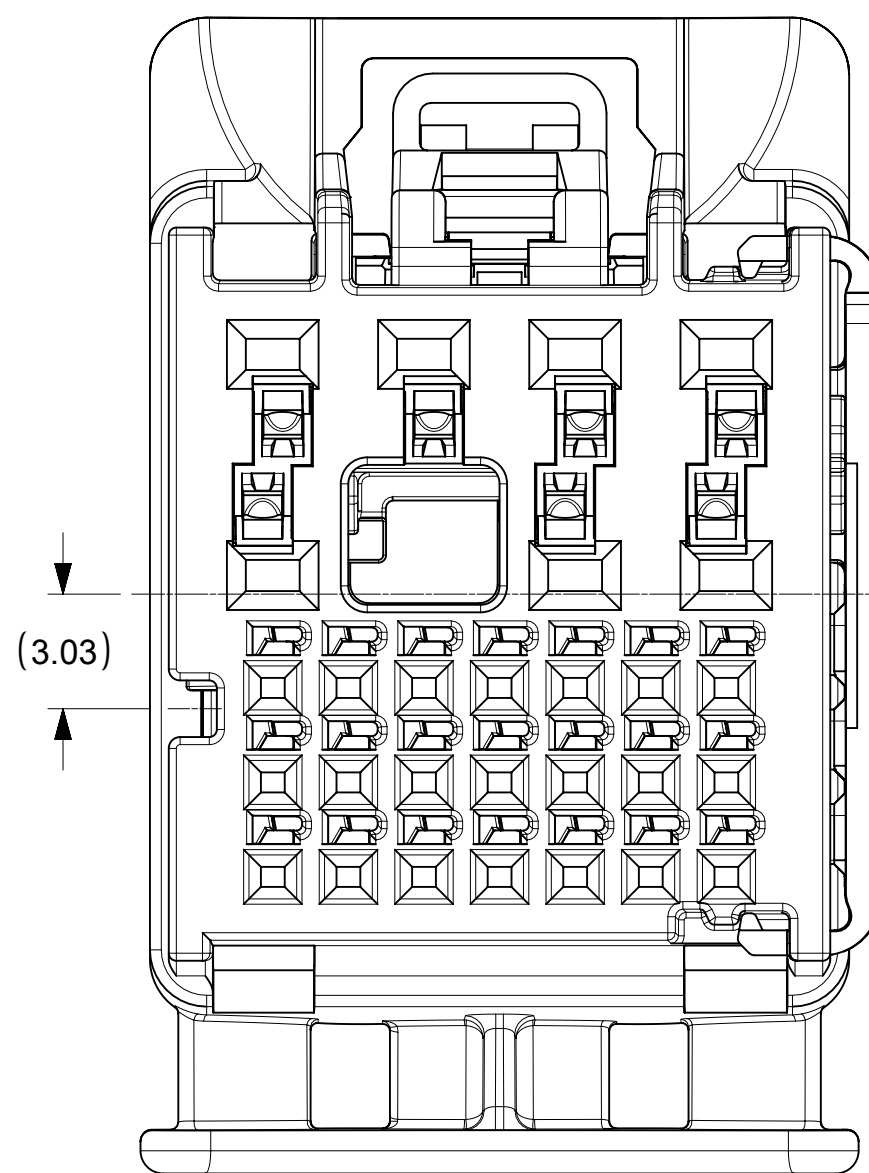
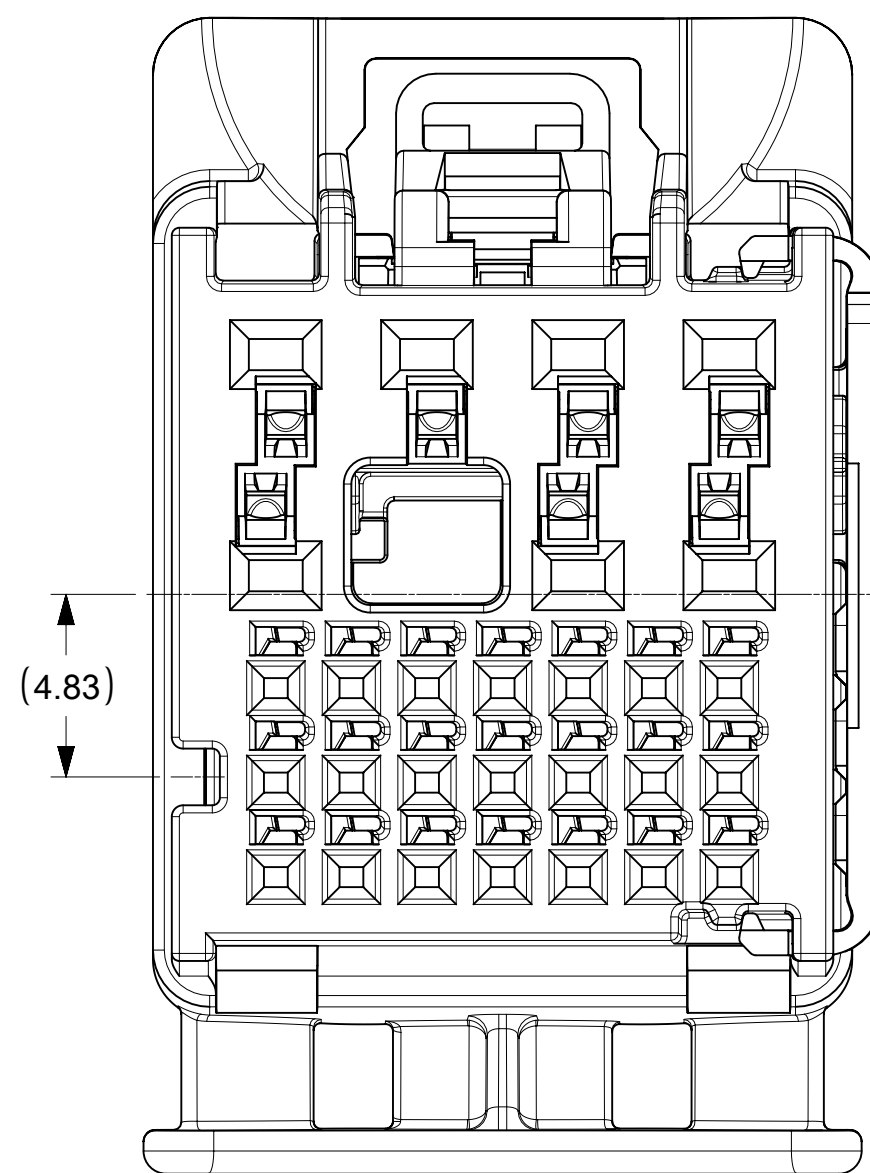


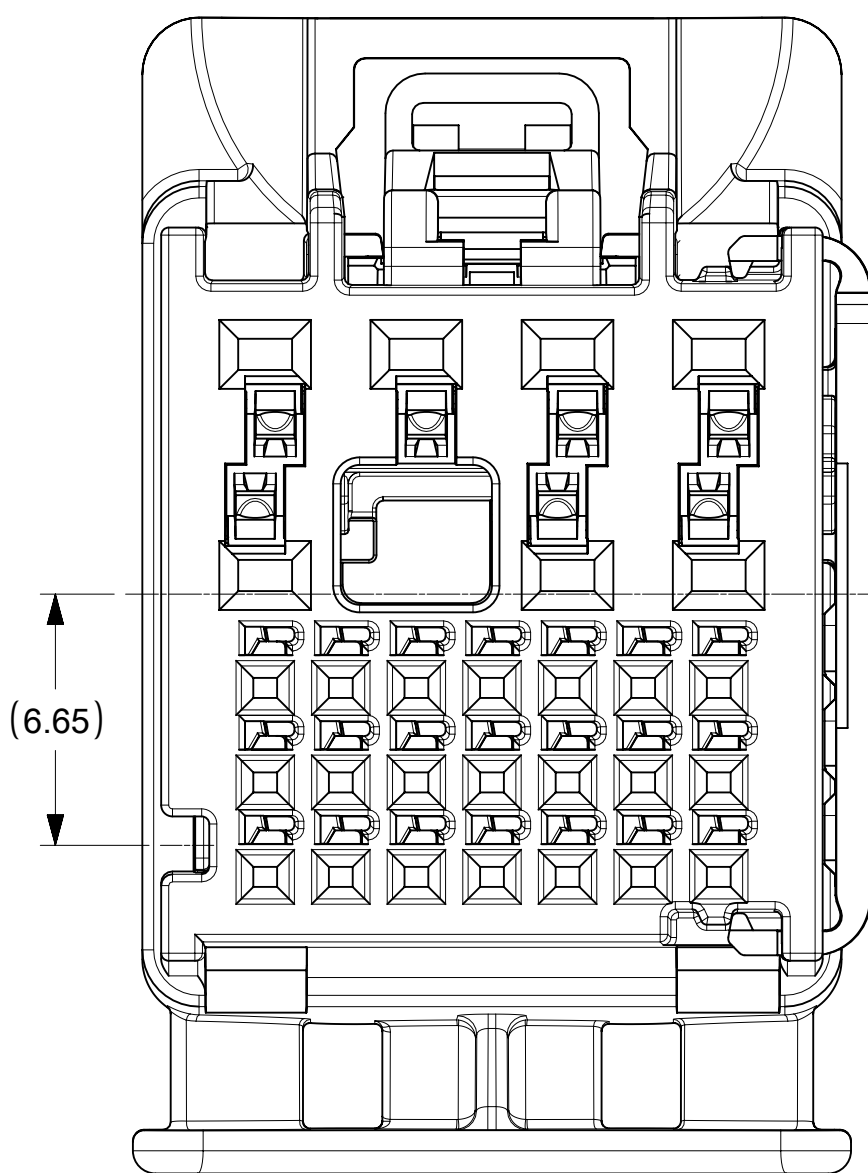
28 WAY CONNECTOR ASSY  
KEY 1  
P/N 1600140011



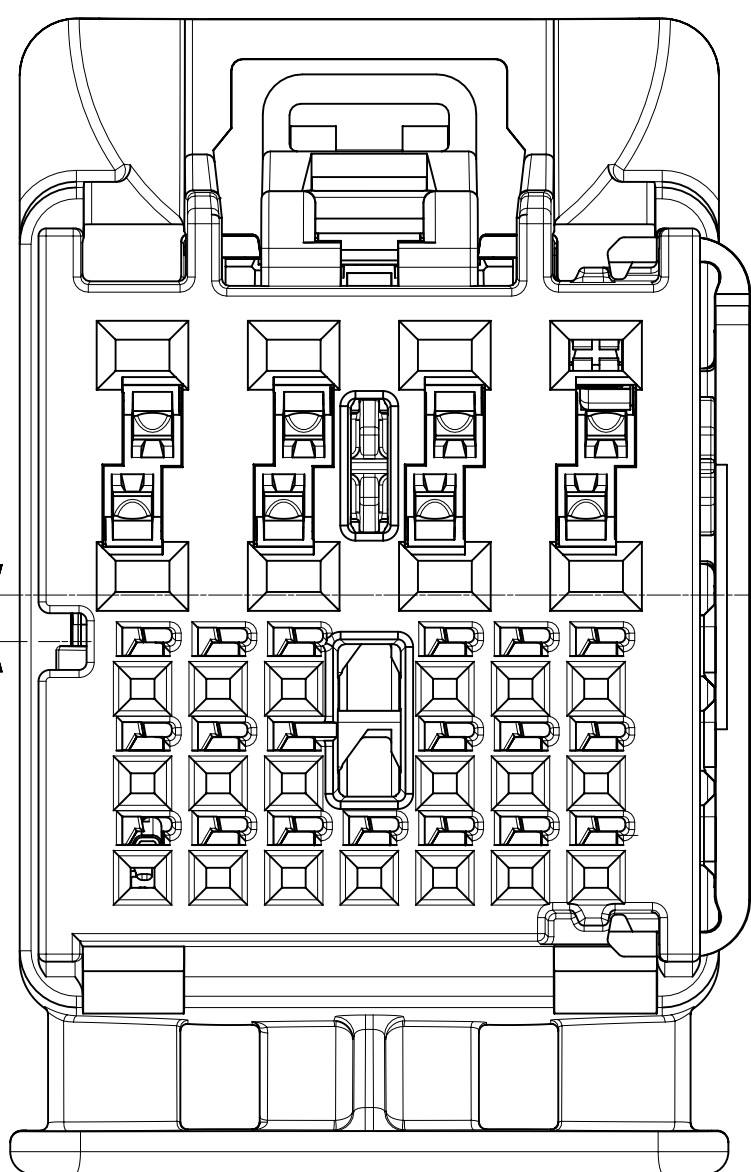
28 WAY CONNECTOR ASSY  
KEY 2  
P/N 1600140012



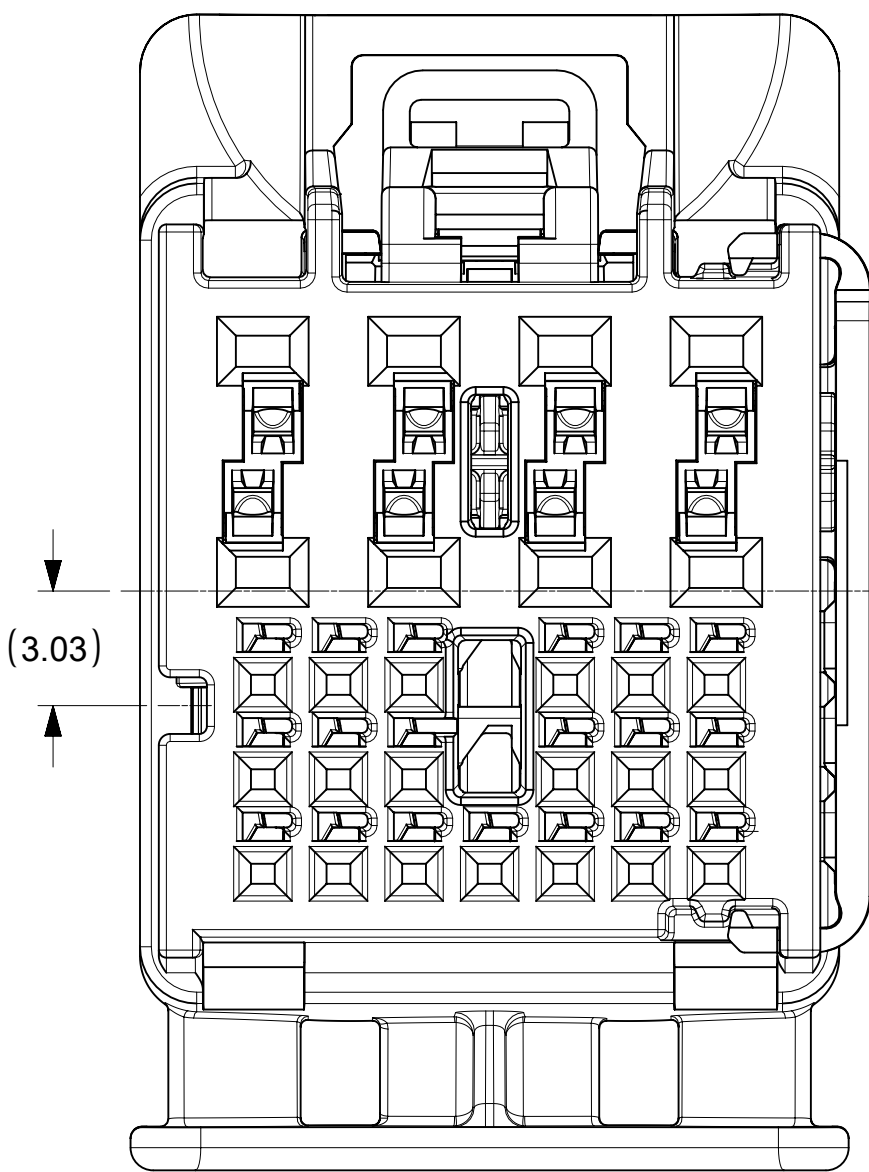
28 WAY CONNECTOR ASSY  
KEY 3  
P/N 1600140013



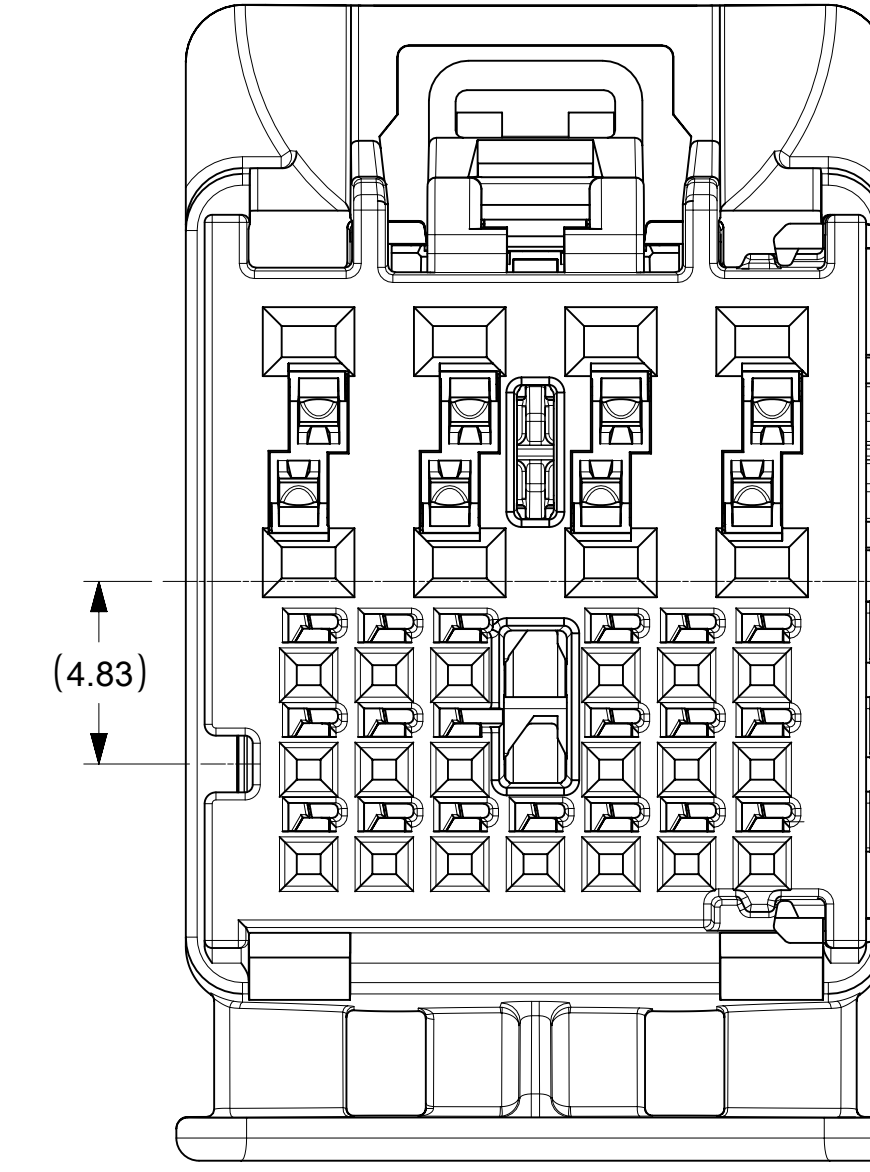
28 WAY CONNECTOR ASSY  
KEY 4  
P/N 1600140014



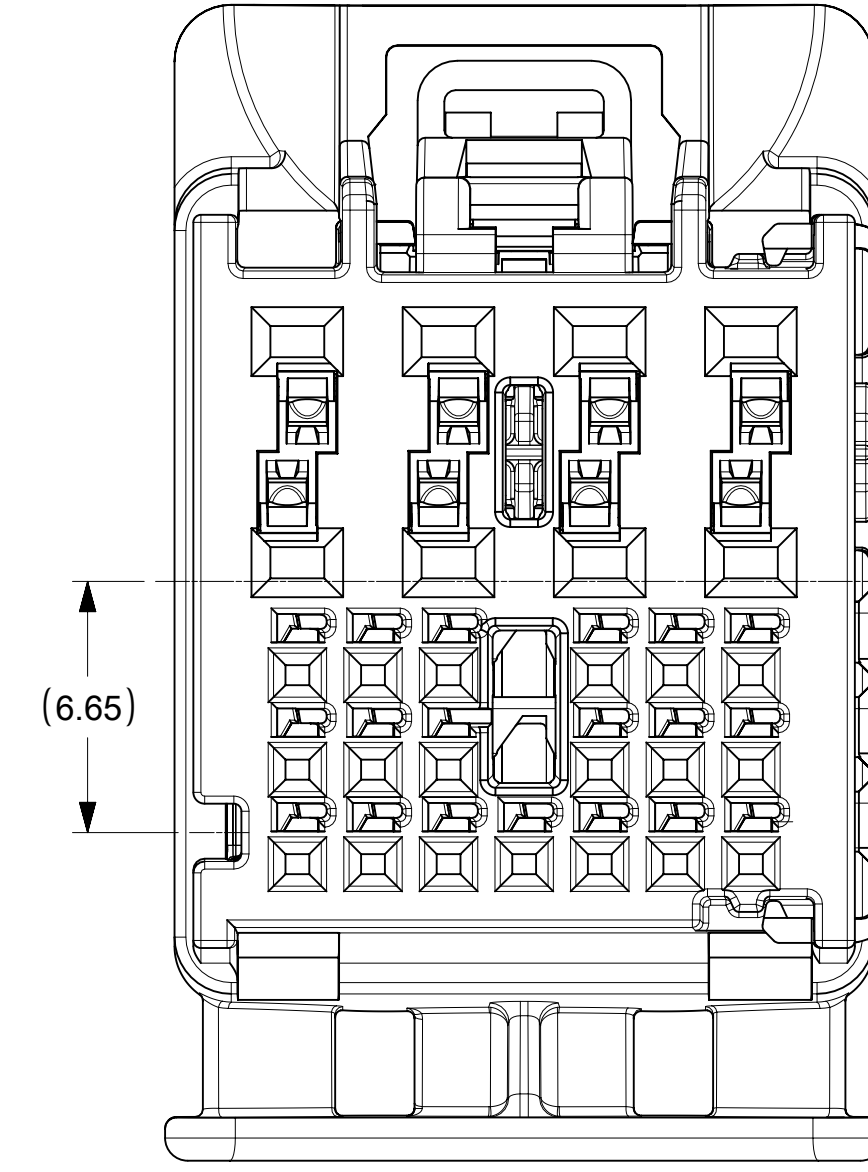
27 WAY CONNECTOR ASSY  
KEY 1  
P/N 1600290011



27 WAY CONNECTOR ASSY  
KEY 2  
P/N 1600290012



27 WAY CONNECTOR ASSY  
KEY 3  
P/N 1600290013



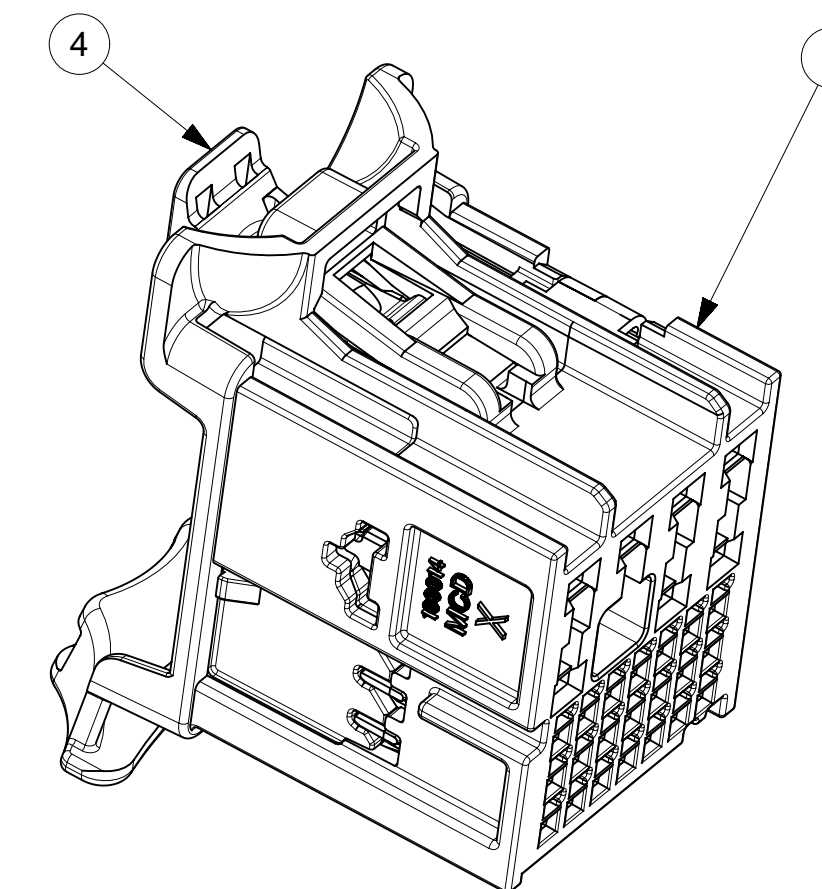
27 WAY CONNECTOR ASSY  
KEY 4  
P/N 1600290014

PART NUMBER	PLATING	SUPPLIER	WIRE GAGE (mm2)	TERMINAL FAMILY	WIRE SPECIFICATION
200096-3101	TIN PLATING	MOLEX	0.35	TAK FAMILY (0.5 mm)	VW 60306 or GMW 15626 (SEE APPLICATION SPECIFICATION FOR MORE DETAILS)
200096-3201	TIN PLATING	MOLEX	0.13	TAK FAMILY (0.5 mm)	
2272196-2	TIN PLATING	TE	0.35	Generation 50 Locking Lance (0.5mm)	SAE/ J1128 THIN WALL INSULATION
2272196-1	TIN PLATING	TE	0.13	Generation 50 Locking Lance (0.5mm)	
35072403	TIN PLATING	DELPHI	0.35 - 0.5	TAXI TERM OCS 1.2	
35072404	TIN PLATING	DELPHI	0.75 - 0.8		
35072405	TIN PLATING	DELPHI	0.8 - 1.0		
35072406	TIN PLATING	DELPHI	1.25 - 1.5		GMW 15626 INSULATION TYPE FLR (REGULAR THIN WALL)
SMSA-A031T-M1.2	TIN PLATING	JST	0.5 - 0.75	MSA 1.2mm TERMINAL	
SMSA-A041T-M1.2	TIN PLATING	JST	1.0 - 1.5	MSA 1.2mm TERMINAL	

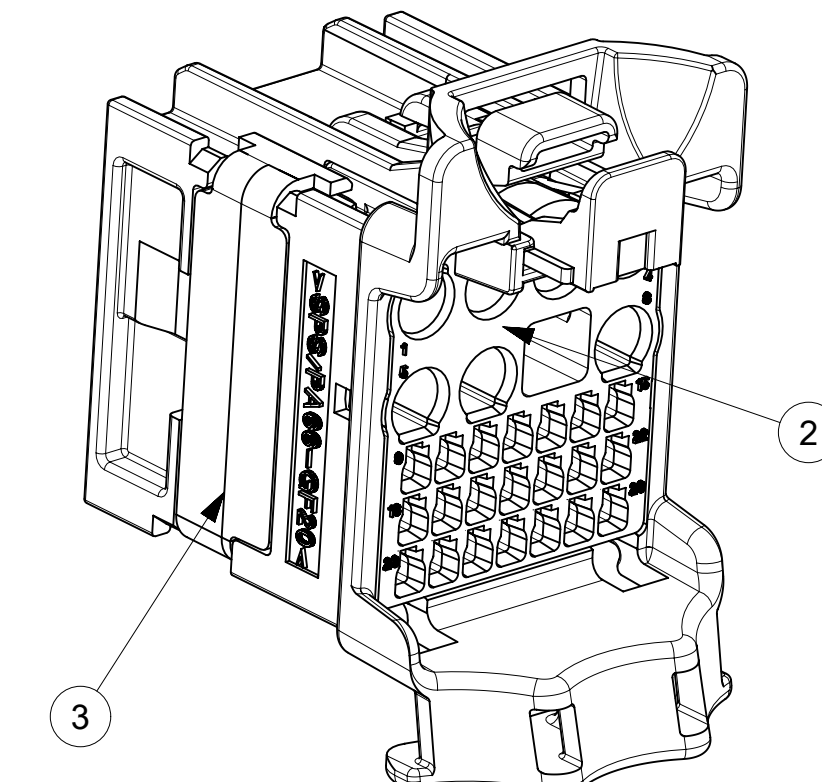
NOTES: VALID UNLESS OTHERWISE SPECIFIED

27WAY/28WAY ARE DEPOPULATED VARIANTS OF THE 29WAY

- GENERAL:
  - APPLICATION SPECIFICATION SEE: AS-160014-001
  - PRODUCT SPECIFICATION SEE: PS-160014-001
  - PACKAGING SPECIFICATION PER MOLEX DRAWING: PK-31302-266
  - PARTS MUST BE IN COMPLIANCE TO MOLEX CHEMICAL SUBSTANCES FOR PRODUCTS AND PACKAGING SPECIFICATION: ES-40000-5016
  - DATA MUST BE SUBMITTED UNDER THE MOLEX PART NUMBER TO IMDS (COMPANY ID#13255)
- DESIGN - MATERIALS:
  - SEE BOM TABLE
- DESIGN - GEOMETRY:
  - ALL GRAPHIC DATA IS BASIC (NO TOLERANCE) AND MUST BE TAKEN FROM THE DATA FILE AT ITS LATEST REVISION.
  - PRODUCT DESIGN MODEL NUMBER(S): SEE BOM TABLE
  - GEOMETRIC DIMENSIONS AND TOLERANCES PER ASME Y14.5-2009
  - EDGES AND UNDIMENSIONED DETAILS PER ISO13715
  - CORNERS SHOWN AS SHARP TO BE R 0.2 MAX.
  - MARKED TEXT TO INCLUDE RECYCLING CODE, CAVITY ID, VENDOR IDENTIFICATION, AND CUSTOMER MATERIAL NUMBER.
    - LASER ETCHED DATE CODE
      - 1ST THROUGH 2ND DIGIT = CALENDAR YEAR
      - 3RD THROUGH 5TH DIGIT = "DAY #" OF YEAR
      - 6TH THROUGH 7TH DIGIT = HOUR OF DAY
      - 8TH THROUGH 9TH DIGIT = MINUTE OF HOUR
      - 10TH THROUGH 11TH DIGIT = SECOND OF MINUTE
- DESIGN - MANUFACTURING:
  - VISUAL DEFECTS SHALL MEET COSMETIC STANDARD PS-45499-002 (Class B)



SCALE 3:1



SCALE 3:1

INSPECTION BALLOON NUMBER LOG
PER DRAWING REVISION : A6
LAST BALLOON NUMBER: 2
ADDED BALLOON NUMBER: NONE
DELETED BALLOON NUMBER: NONE

A6	UPDATED TAK50 TERMINAL PNS 21-July-2021 YPENG47 ECN 648438
A5	UPDATED DELPHI 1.2 TERMINAL PNS 10-Apr-2020 YPENG47 ECN 635661
A4	UPDATED ISL TO PRE-LOCK(SHIPMENT) STATUS 31-Mar-2020 YPENG47 ECN 635045
REVISION	DESCRIPTION

MOLEX ASSEMBLY PART NO.'S	CIRCUIT COUNT	KEY	OUTER SHROUD COLOR	COMPONENTS						
				ITEM 1				ITEM 2	ITEM 3	ITEM 4
				OUTER SHROUD KEY 1	OUTER SHROUD KEY 2	OUTER SHROUD KEY 3	OUTER SHROUD KEY 4	INNER HOUSING	ISL	CPA
1600140011	28	1	DARK GRAY	SPS/PA66-GF20 1600140511	SPS/PA66-GF20 1600140512	SPS/PA66-GF20 1600140513	SPS/PA66-GF20 1600140514	SPS/PA66-GF20 1600140701	SPS-GF30 1600140601	PA66-GF50 1600140703
1600140012	28	2	LT GREEN A	1	1			STONE GRAY	1	1
1600140013	28	3	LT GRAY			1		STONE GRAY	1	1
1600140014	28	4	BLACK				1	STONE GRAY	1	1
1600290011	27	1	BLACK	1600290511	1600290512	1600290513	1600290514	1600290701	1600290601	1600140703
1600290012	27	2	LT GREEN B	1	1			DARK GRAY	1	1
1600290013	27	3	LT BLUE B			1		DARK GRAY	1	1
1600290014	27	4	PURPLE C				1	DARK GRAY	1	1

FUNCTIONAL SYMBOLS	THIS DRAWING CONTAINS INFORMATION THAT IS PROPRIETARY TO MOLEX ELECTRONIC TECHNOLOGIES, LLC AND SHOULD NOT BE USED WITHOUT WRITTEN PERMISSION		CURRENT REV DESC: UPDATED TAK50 TERMINAL PNS	
	DIMENSION UNITS	SCALE	CURRENT REV DESC: UPDATED TAK50 TERMINAL PNS	
$F_A = 0$	mm	5:1	EC NO: 648438	
$F_E = 0$	GENERAL TOLERANCES (UNLESS SPECIFIED)		DRWN: YPENG47	2021/07/21
$F_P = 0$	ANGULAR TOL $\pm 3.0^\circ$		CHK'D: RCARLSON	2021/07/29
DIVISIONAL SYMBOLS	4 PLACES	$\pm$	APPR: JCONDON	2021/08/02
	3 PLACES	$\pm$	INITIAL REVISION:	
	2 PLACES	$\pm 0.3$	DRWN: RCARLSON	2019/02/14
	1 PLACE	$\pm 0.3$	APPR: JCONDON	2019/02/25
	0 PLACES	$\pm 0.3$		
DRAFT WHERE APPLICABLE MUST REMAIN WITHIN DIMENSIONS		THIRD ANGLE PROJECTION	DRAWING	SERIES
			D-SIZE	160014
DOCUMENT STATUS		P1	RELEASE DATE	2021/08/02 13:46:01

**molex**

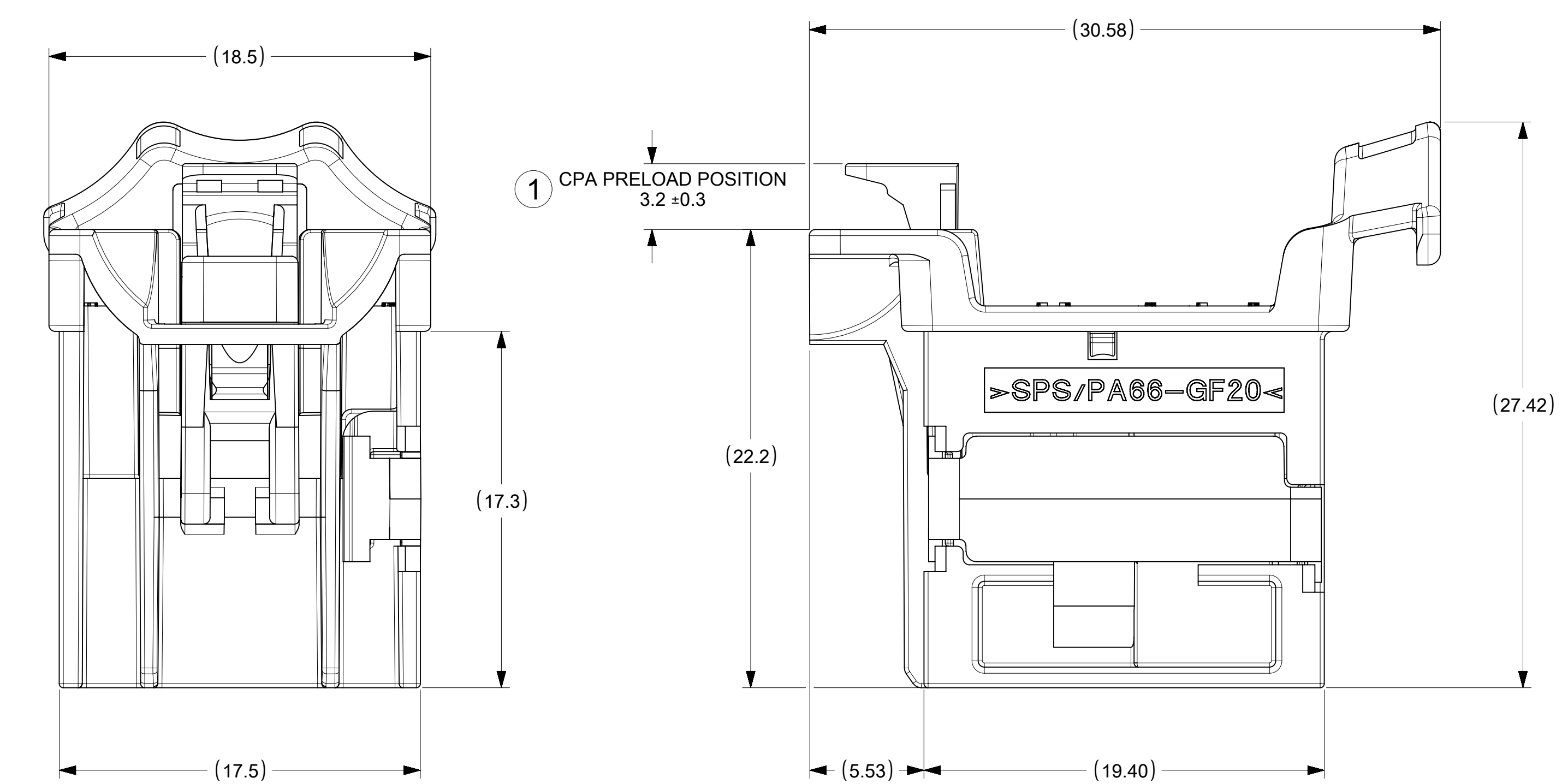
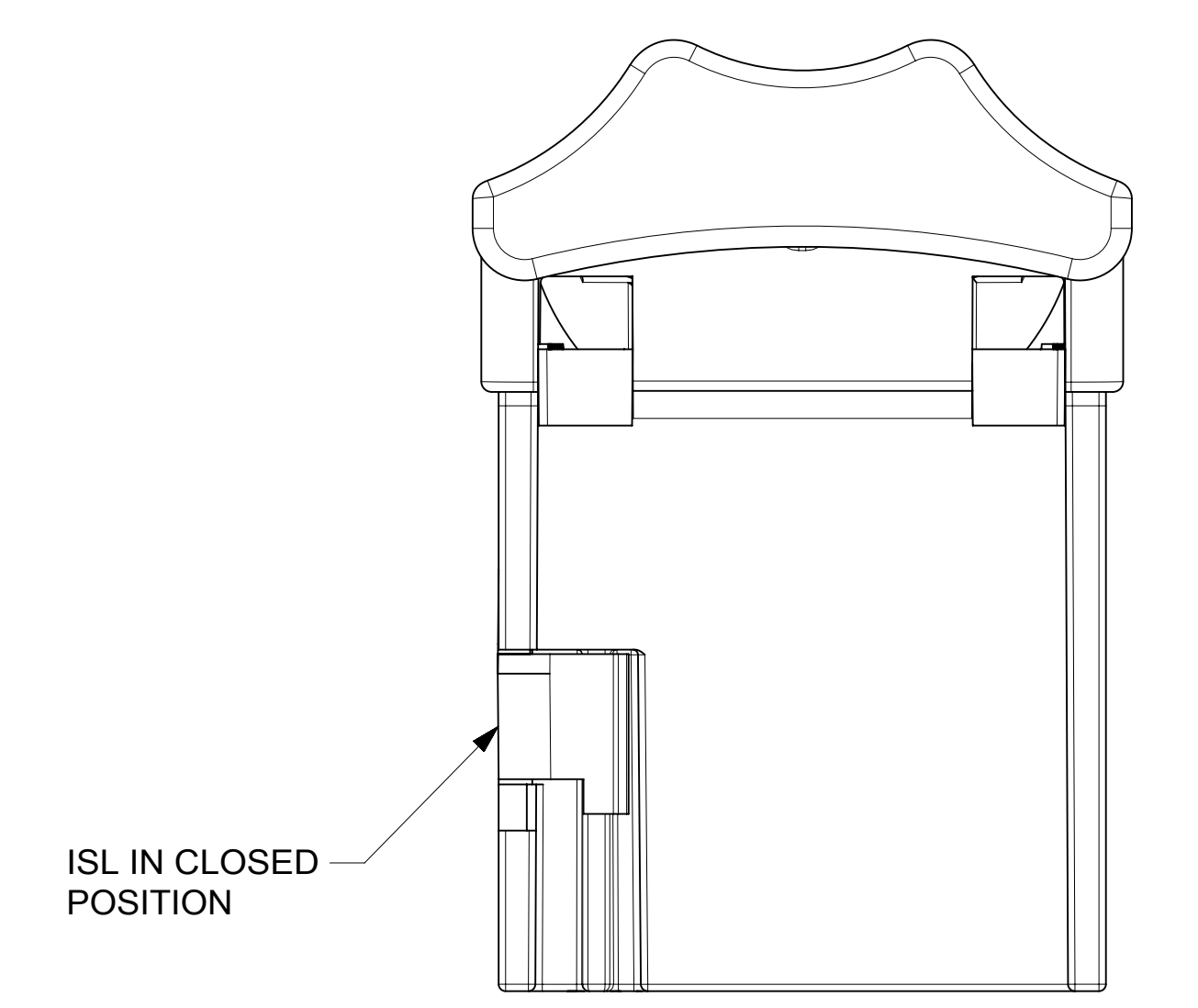
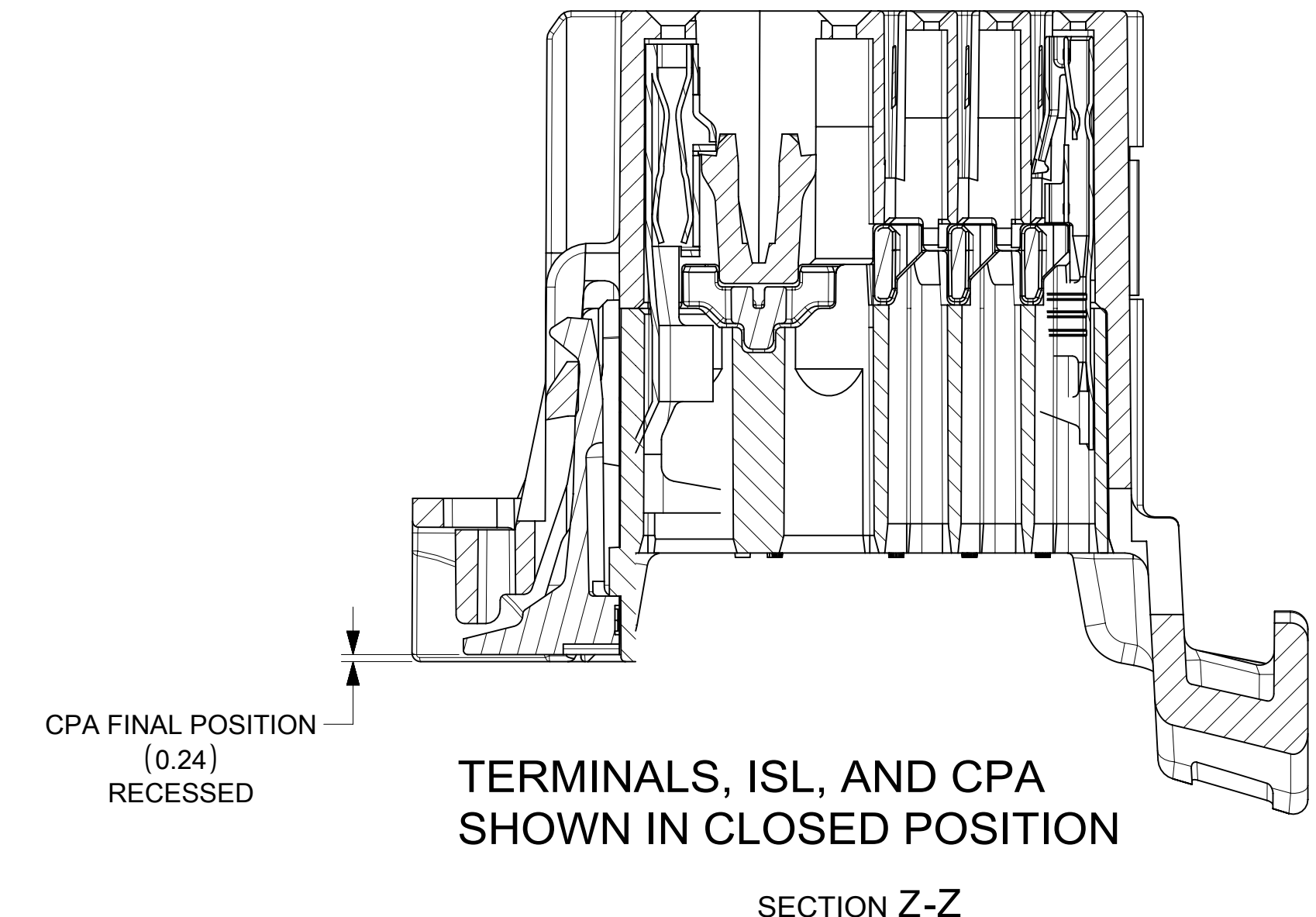
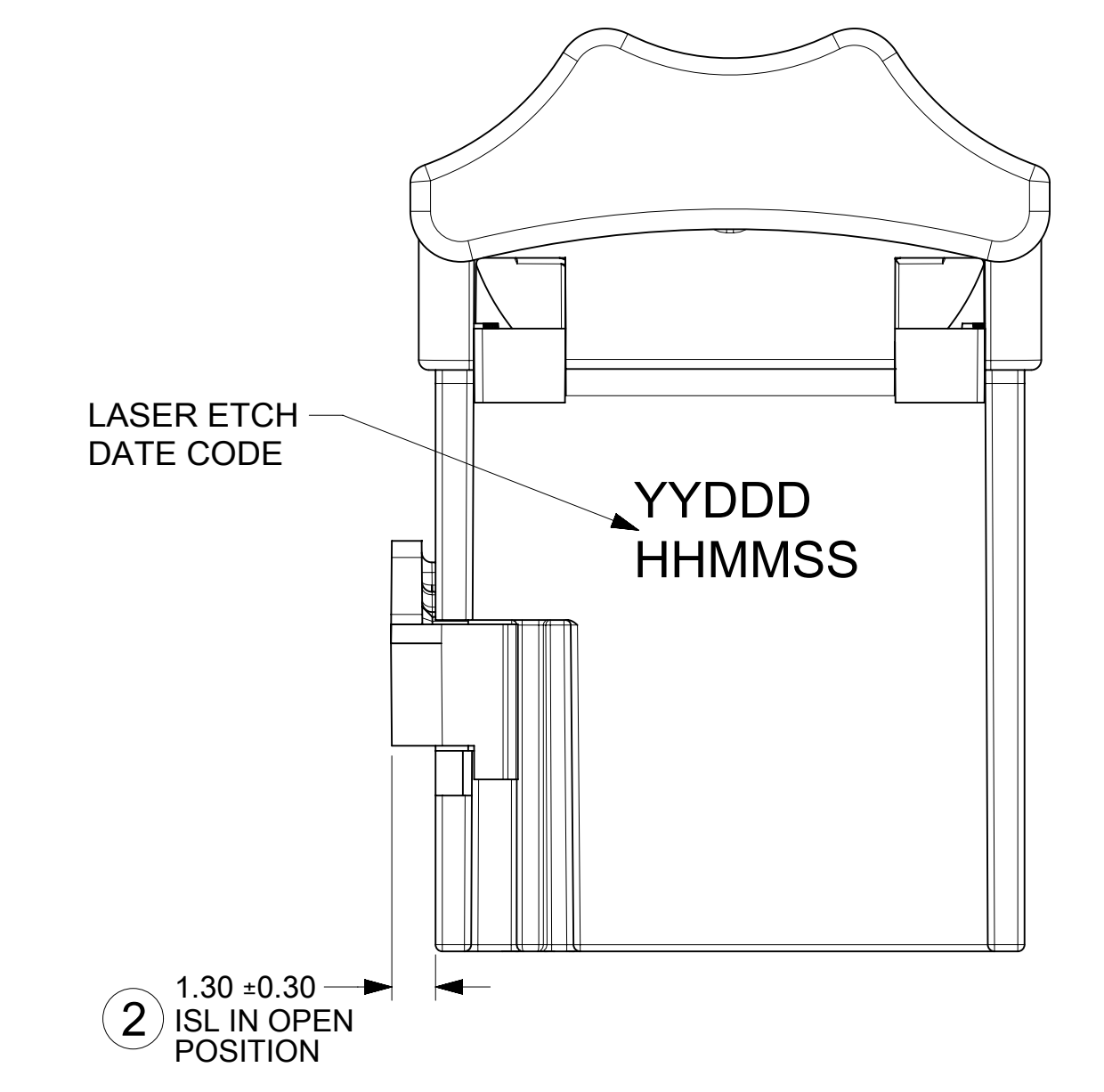
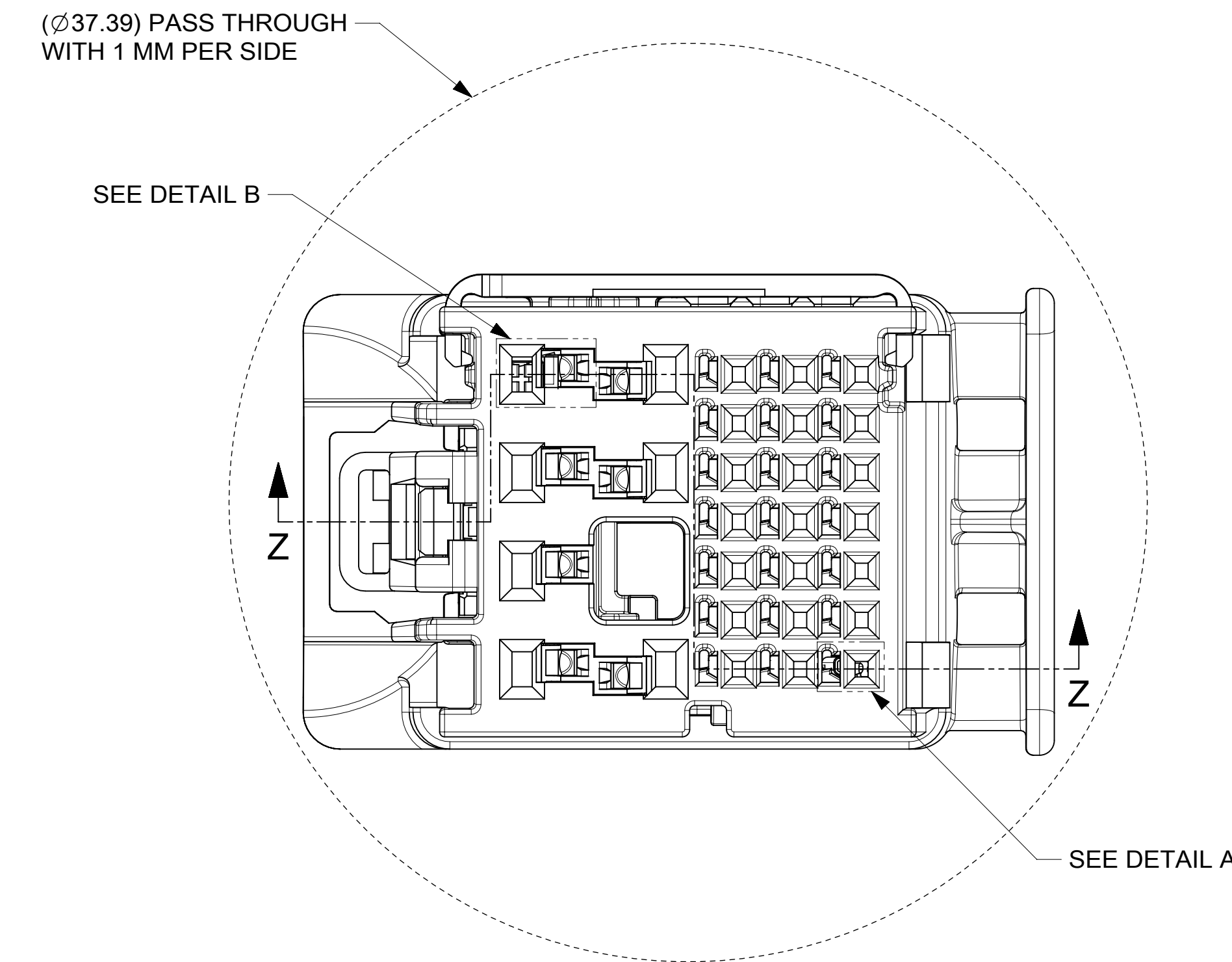
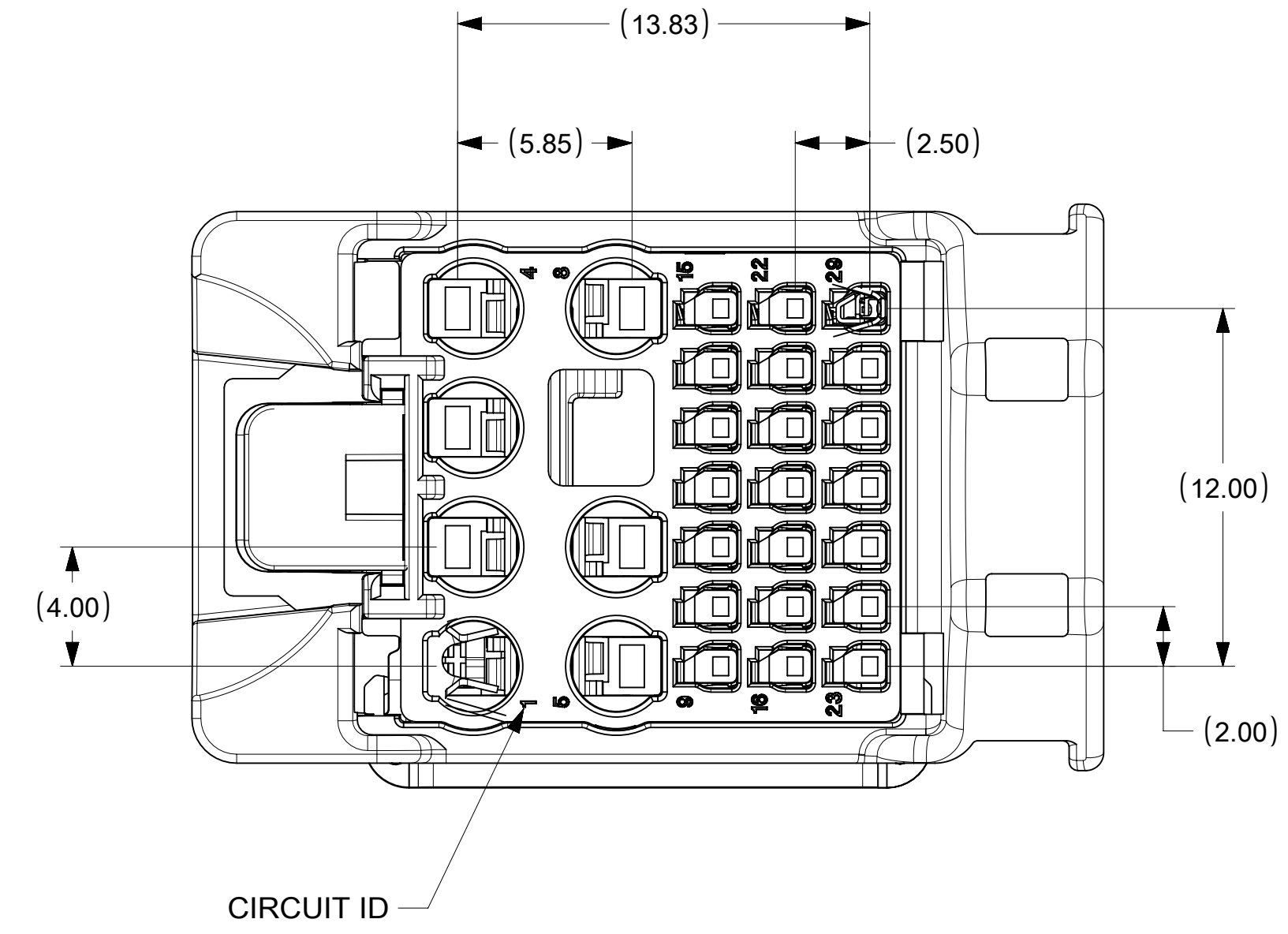
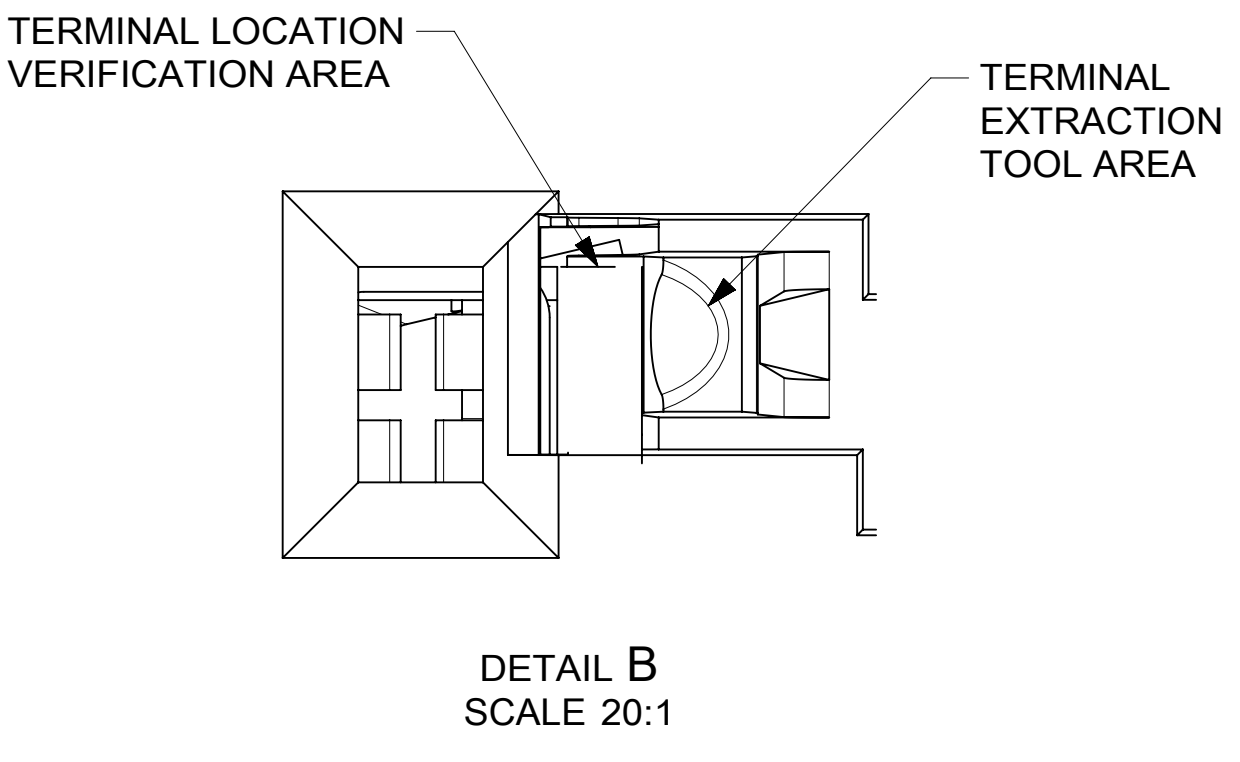
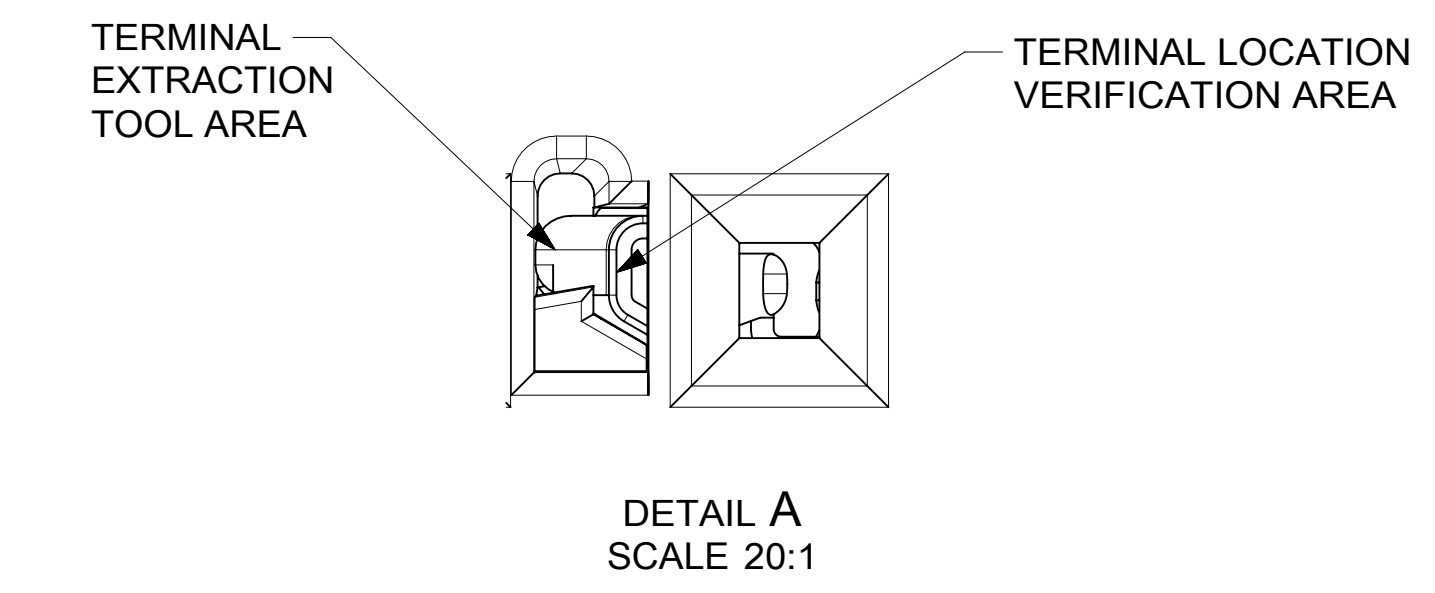
28 WAY STAK50H HYBRID ASSEMBLY  
CONNECTOR ASSEMBLY

PRODUCT CUSTOMER DRAWING

DOCUMENT NUMBER	DOC TYPE	DOC PART	REVISION
1600140011	PSD	000	A6

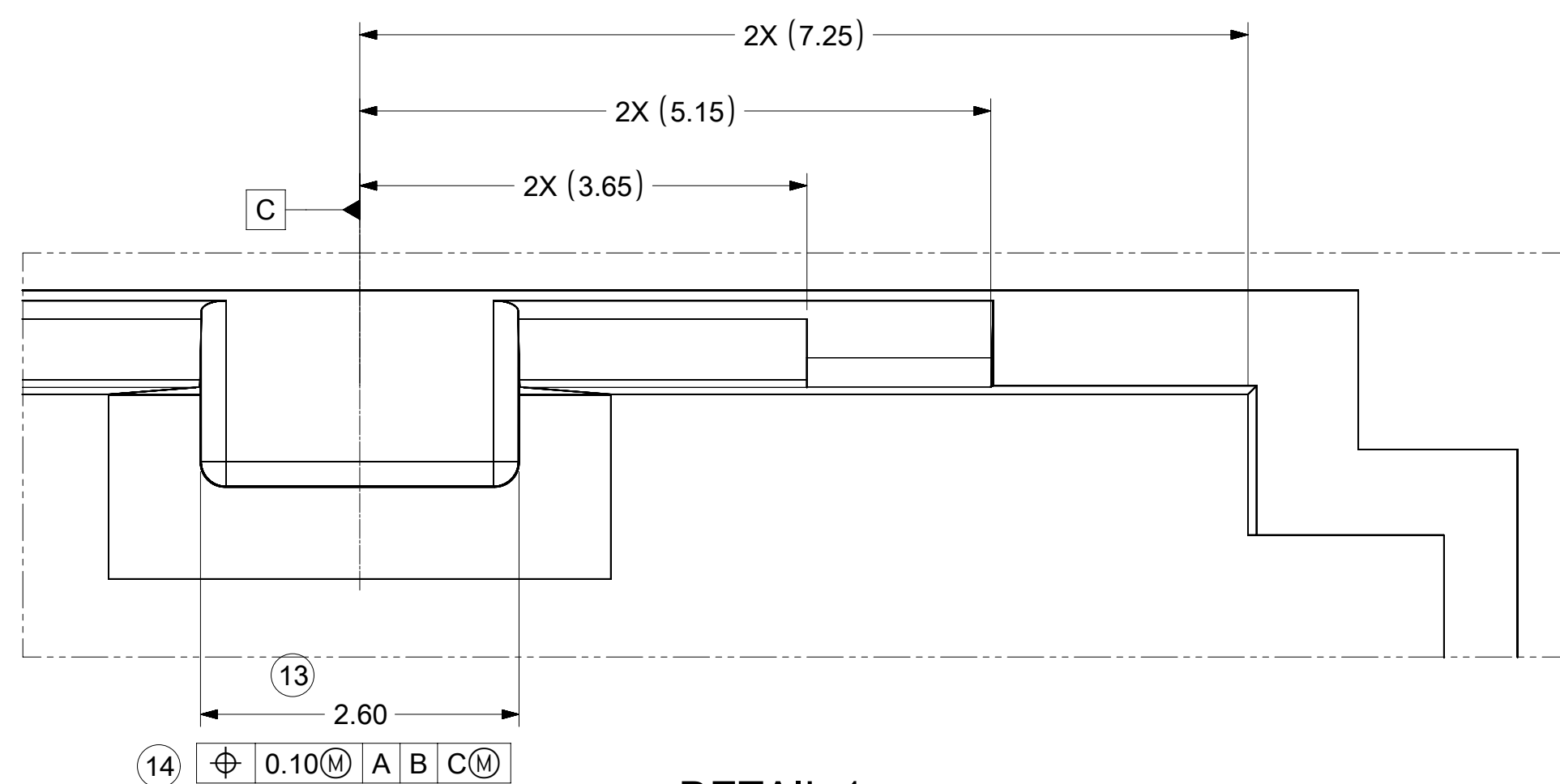
MATERIAL NUMBER	CUSTOMER	SHEET NUMBER
	GENERAL MARKET	1 OF 2

NOTE: 28 WAY CONNECTOR VARIANT SHOWN.  
DIMENSIONS APPLY TO ALL CONNECTOR VARIANTS OF 29 WAY

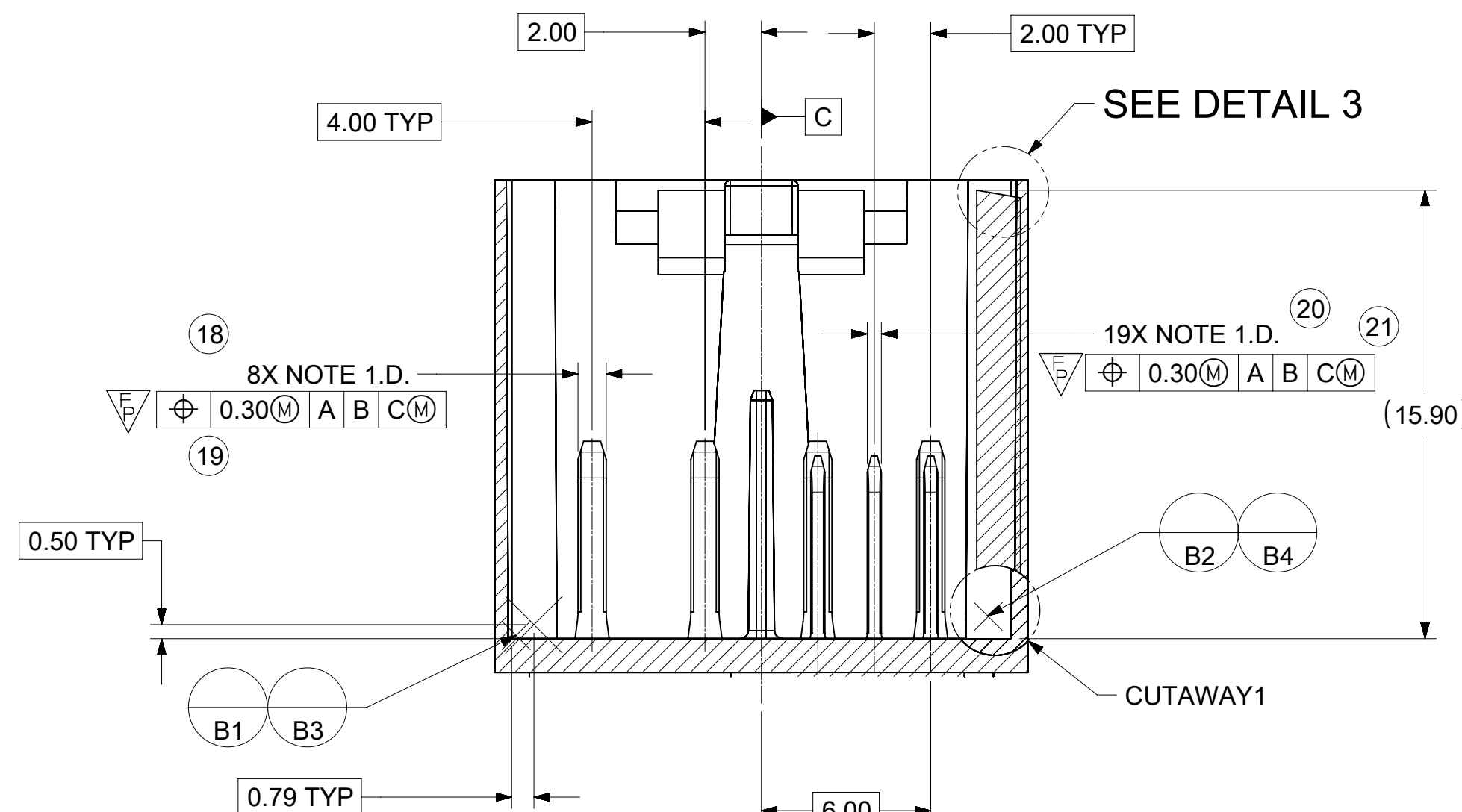


FUNCTIONAL SYMBOLS	THIS DRAWING CONTAINS INFORMATION THAT IS PROPRIETARY TO MOLEX ELECTRONIC TECHNOLOGIES, LLC AND SHOULD NOT BE USED WITHOUT WRITTEN PERMISSION		
	DIMENSION UNITS	SCALE	CURRENT REV DESC: UPDATED TAK50 TERMINAL PMS
$F_A = 0$	mm	5:1	
$F_E = 0$	GENERAL TOLERANCES (UNLESS SPECIFIED)		
$F_P = 0$	ANGULAR TOL $\pm 3.0^\circ$		
DIVISIONAL SYMBOLS	4 PLACES	$\pm$	EC NO: 648438
	3 PLACES	$\pm$	DRWN: YPENG47 2021/07/21
	2 PLACES	$\pm 0.3$	CHK'D: RCARLSON 2021/07/29
	1 PLACE	$\pm 0.3$	APPR: JCONDON 2021/08/02
	0 PLACES	$\pm 0.3$	INITIAL REVISION:
DRAFT WHERE APPLICABLE MUST REMAIN WITHIN DIMENSIONS		THIRD ANGLE PROJECTION	DRWN: RCARLSON 2019/02/14
			APPR: JCONDON 2019/02/25
		DRAWING	SERIES
		D-SIZE	160014
DOCUMENT STATUS		P1	RELEASE DATE
2021/08/02		13:46:01	
DOCUMENT NUMBER		DOC TYPE	DOC PART
1600140011		PSD	000
REVISION		A6	
MATERIAL NUMBER		CUSTOMER	SHEET NUMBER
160014		GENERAL MARKET	2 OF 2

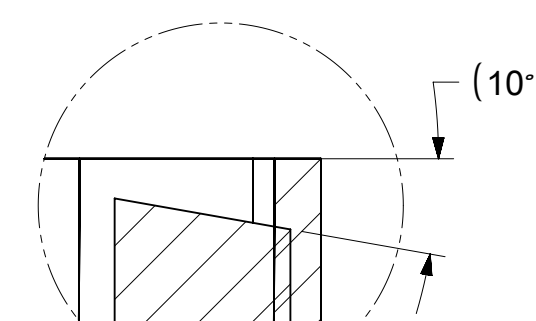




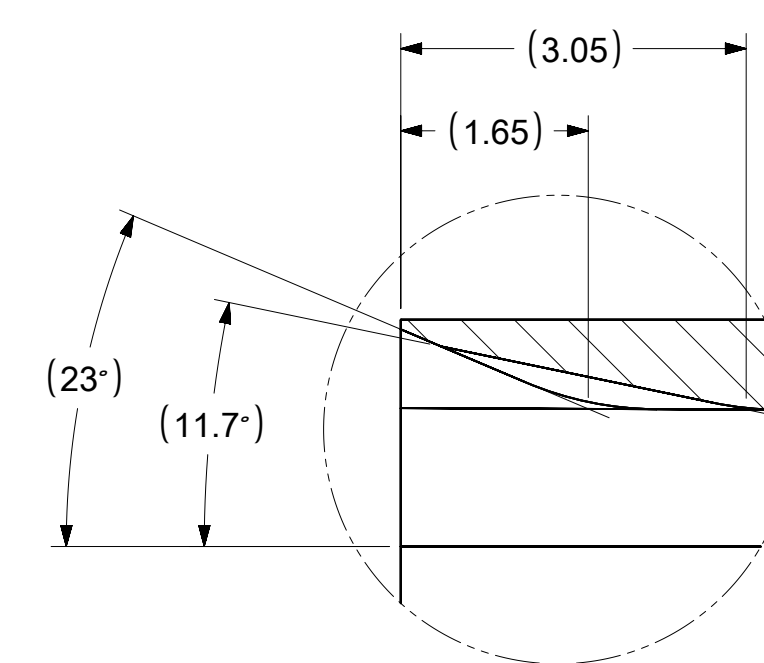
DETAIL 1  
SCALE 20:1



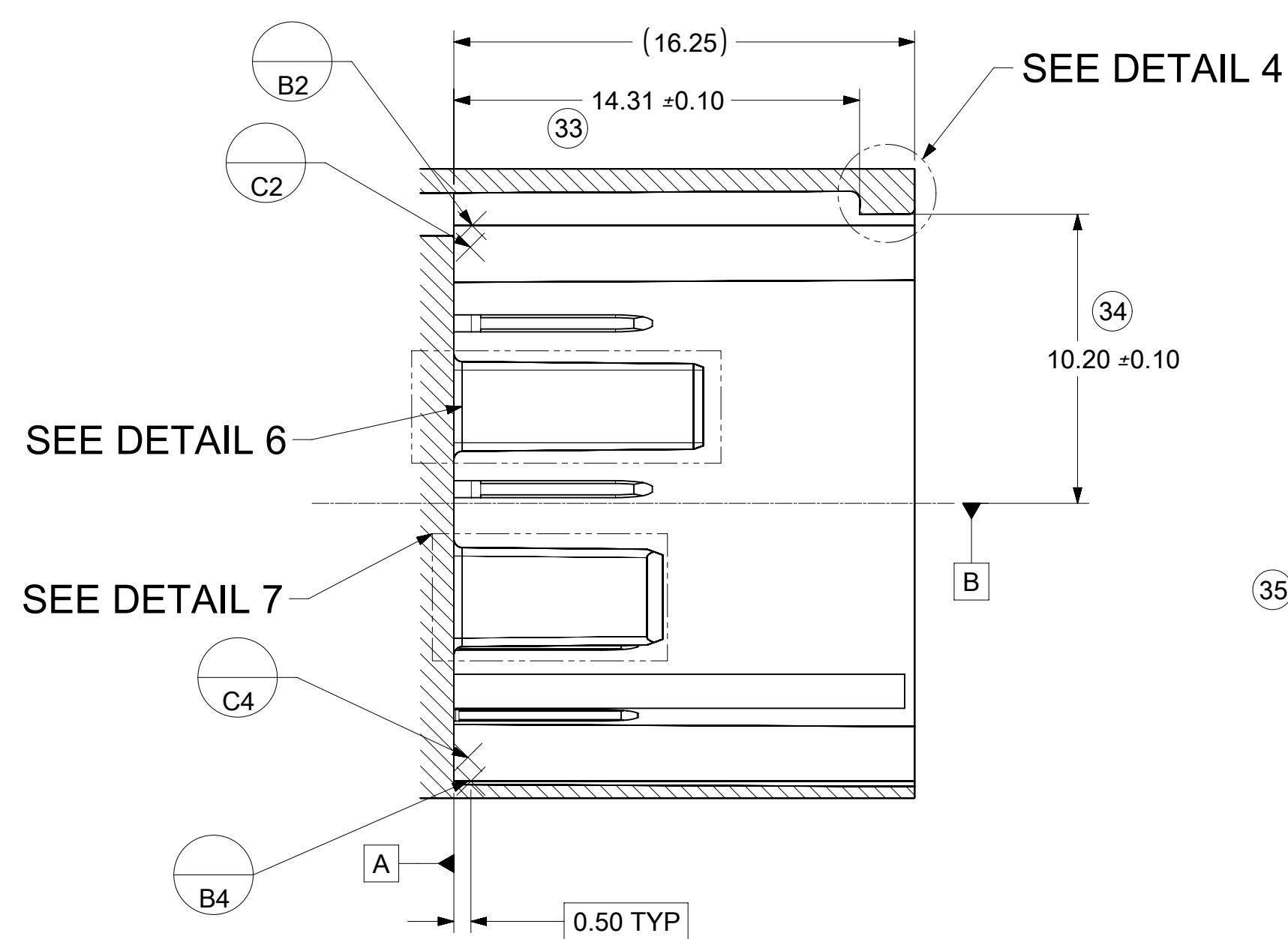
SECTION X-X



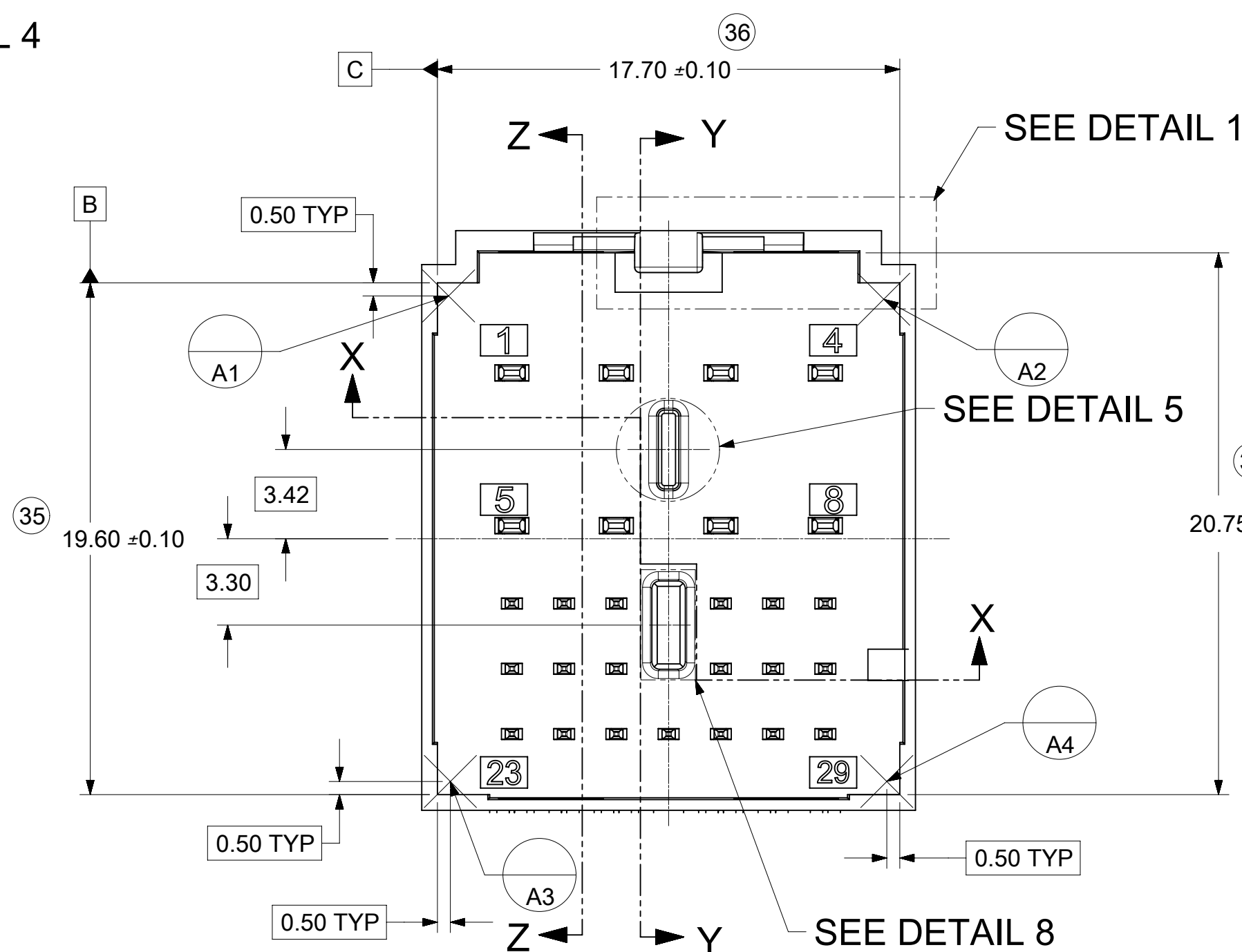
DETAIL 3  
SCALE 15:1



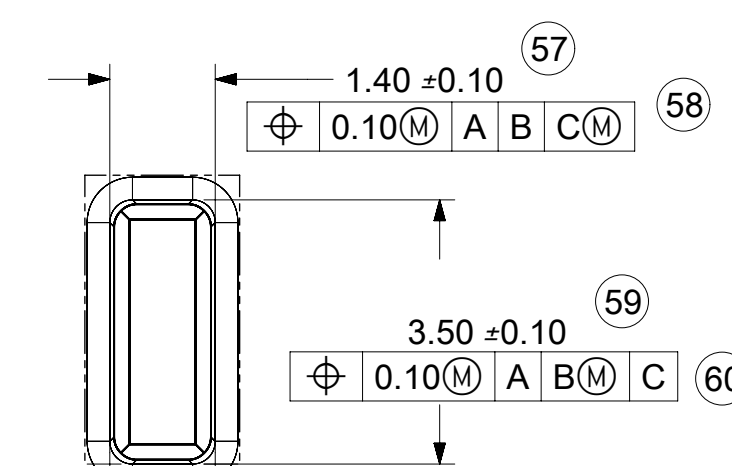
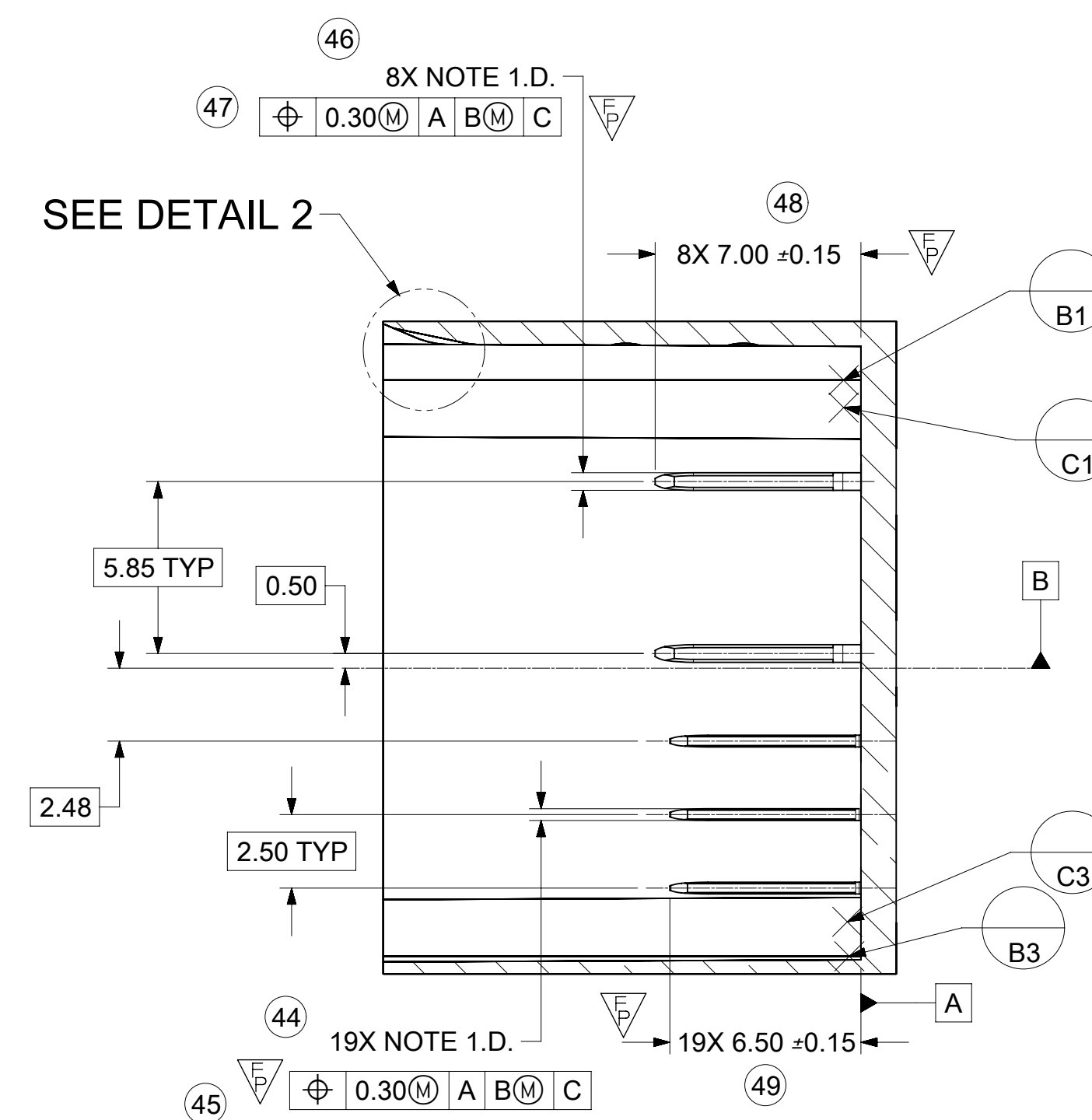
DETAIL 2  
SCALE 15:1



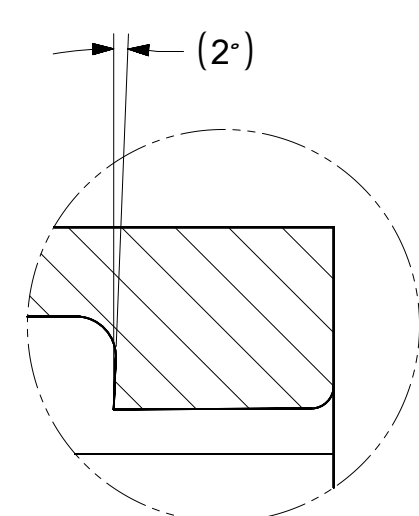
SECTION Y-Y



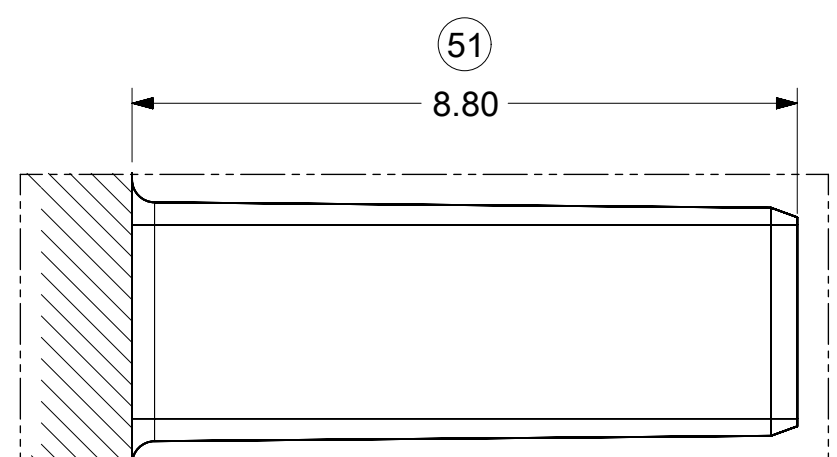
SECTION Z-Z



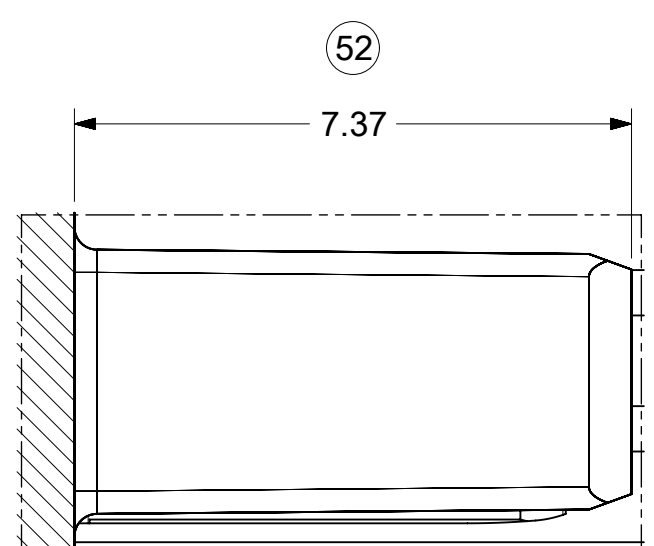
DETAIL 8  
SCALE 10:1



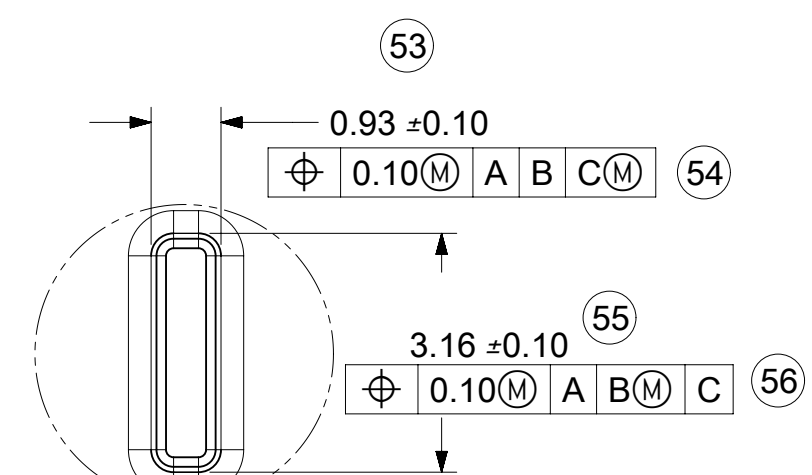
DETAIL 4  
SCALE 15:1



DETAIL 6  
SCALE 10:1



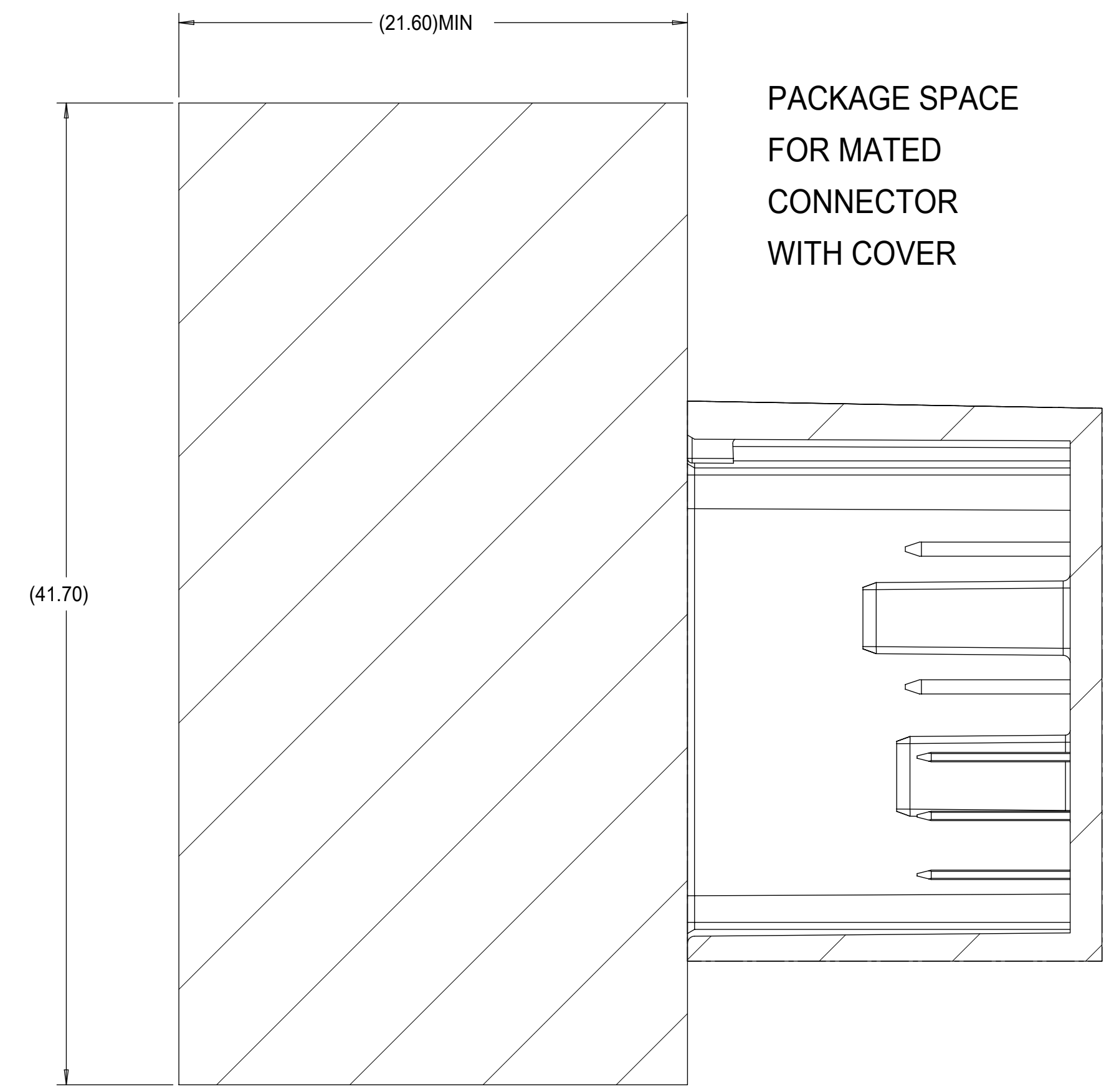
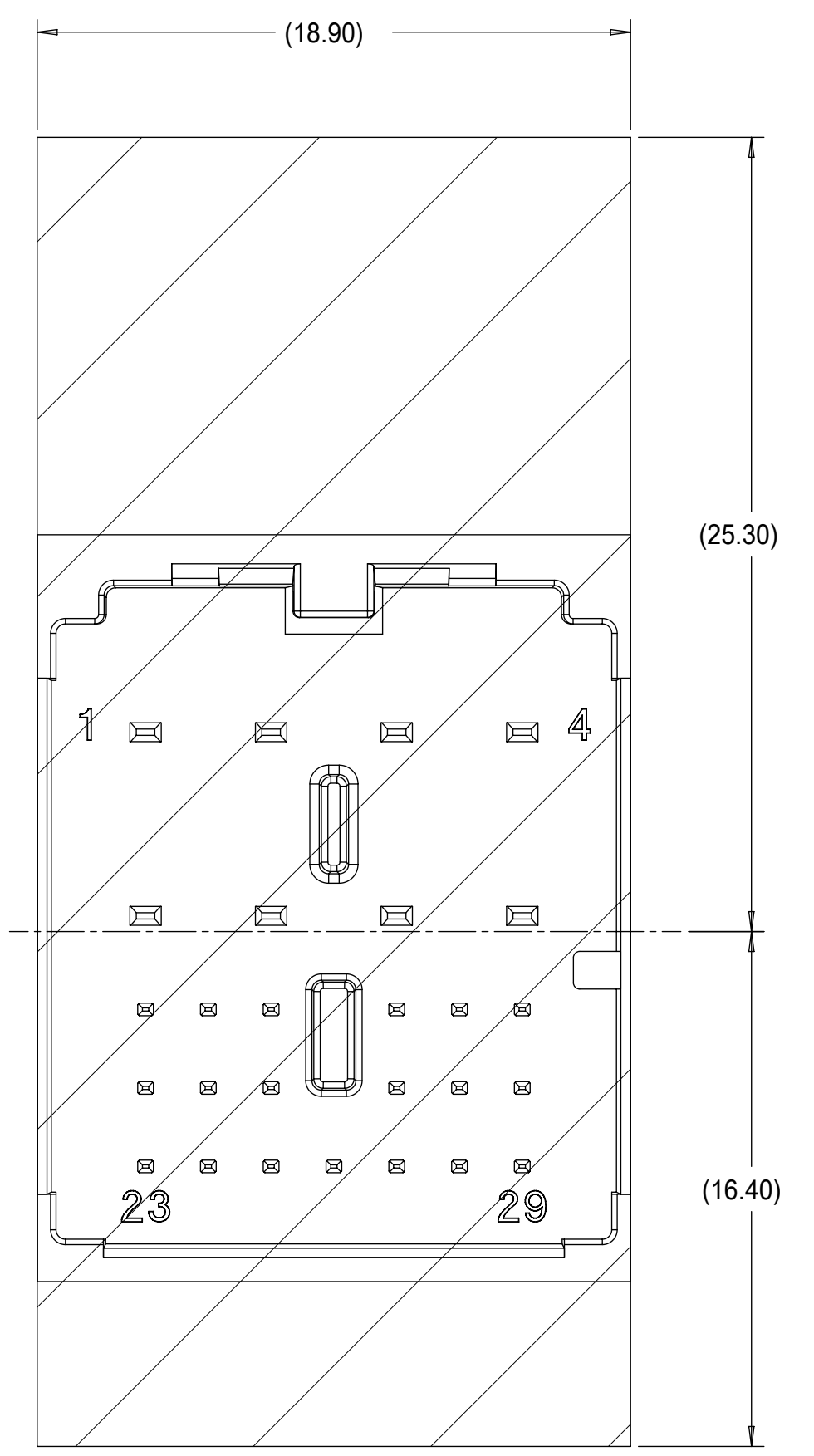
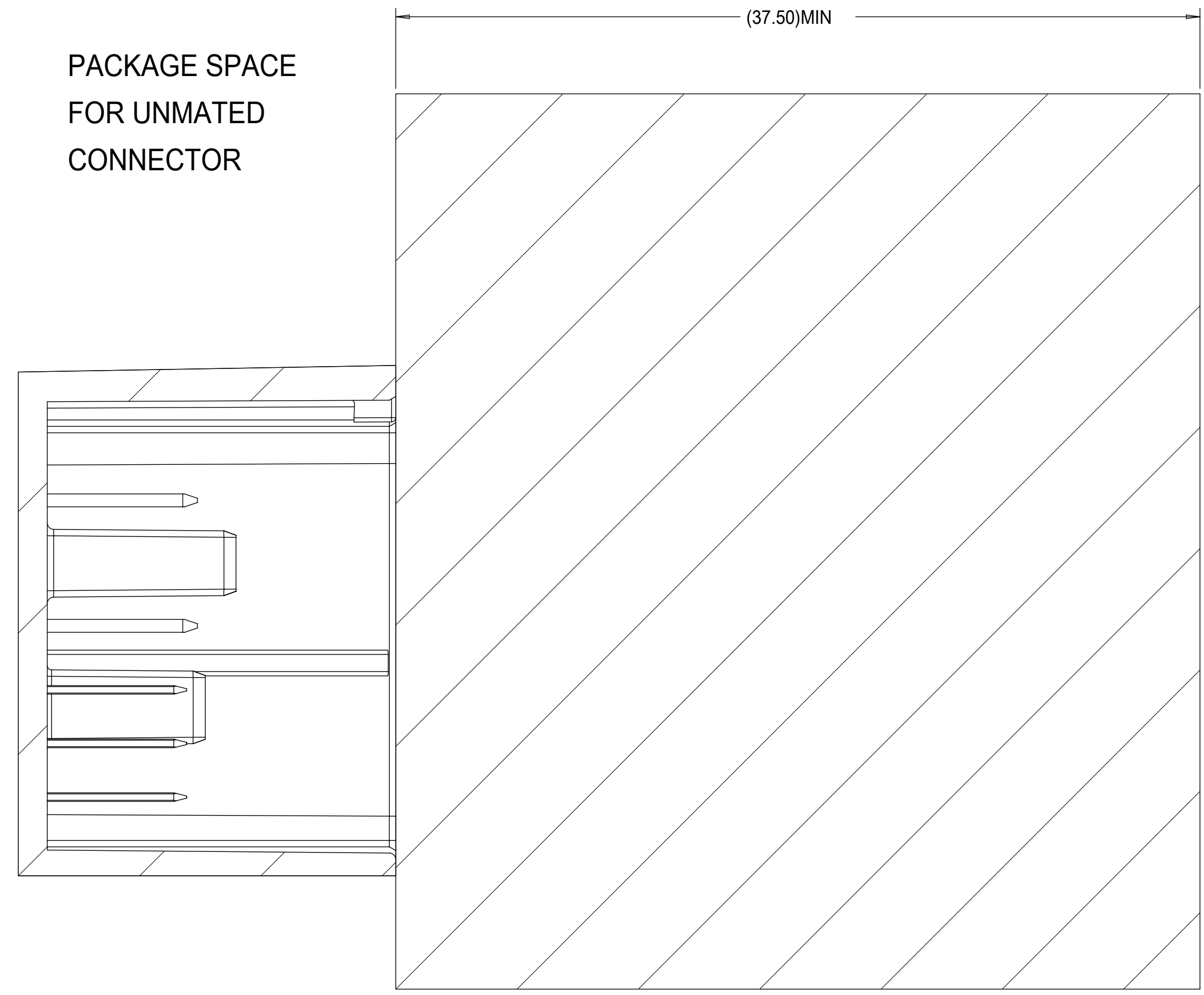
DETAIL 7  
SCALE 10:1



DETAIL 5  
SCALE 10:1

SYMBOLS	THIS DRAWING CONTAINS INFORMATION THAT IS PROPRIETARY TO MOLEX ELECTRONIC TECHNOLOGIES, LLC AND SHOULD NOT BE USED WITHOUT WRITTEN PERMISSION		
	DIMENSION UNITS	SCALE	CURRENT REV DESC: ADDED DIMENSION BALLOONS
▽ = 0	mm	5:1	
▽ = 0	GENERAL TOLERANCES (UNLESS SPECIFIED)		
▽ = 6	ANGULAR TOL ± °		
▽ = 0	4 PLACES	±	
▽ = 0	3 PLACES	±	
▽ = 0	2 PLACES	±	
▽ = 0	1 PLACE	±	
▽ = 0	0 PLACES	±	
■ = 0	DRAFT WHERE APPLICABLE MUST REMAIN WITHIN DIMENSIONS		
▽ = 0	THIRD ANGLE PROJECTION	DRAWING	SERIES
		D-SIZE	160029
EC NO: 602204		DRWN: JCONDON	2018/08/02
CHK'D: JCONDON		APPR: MVANSLAMBROU	2018/08/03
INITIAL REVISION:		DRWN: DAHALL	2013/11/20
		APPR: KDEKOSKI	2014/01/02
DOCUMENT NUMBER		DOC TYPE	DOC PART
SD-160029-002		PSD	001
CUSTOMER		SHEET NUMBER	
GENERAL MARKET		2 OF 3	

PACKAGE SPACE  
FOR CONNECTOR



SYMBOLS	THIS DRAWING CONTAINS INFORMATION THAT IS PROPRIETARY TO MOLEX ELECTRONIC TECHNOLOGIES, LLC AND SHOULD NOT BE USED WITHOUT WRITTEN PERMISSION		
	DIMENSION UNITS	SCALE	CURRENT REV DESC: ADDED DIMENSION BALLOONS
▽ = 0	mm	5:1	
▽ = 0	GENERAL TOLERANCES (UNLESS SPECIFIED)		
▽ = 0	ANGULAR TOL ± °		
▽ = 0	4 PLACES	±	EC NO: 602204
▽ = 0	3 PLACES	±	DRWN: JCONDON 2018/08/02
▽ = 0	2 PLACES	±	CHK'D: JCONDON 2018/08/03
▽ = 0	1 PLACE	±	APPR: MVANSLAMBROU 2018/08/03
▽ = 0	0 PLACES	±	INITIAL REVISION:
□ = 0	DRAFT WHERE APPLICABLE MUST REMAIN WITHIN DIMENSIONS		DRWN: DAHALL 2013/11/20
■ = 0	THIRD ANGLE PROJECTION		APPR: KDEKOSKI 2014/01/02
▽ = 0	DRAWING		SERIES
	D-SIZE		160029
DOCUMENT STATUS		RELEASE DATE	2018/08/03 19:41:35
P1			

**molex**

27WAY STAK50H  
INTERFACE DRAWING

PRODUCT CUSTOMER DRAWING

DOCUMENT NUMBER	DOC TYPE	DOC PART	REVISION
SD-160029-002	PSD	001	B1

MATERIAL NUMBER	CUSTOMER	SHEET NUMBER
	GENERAL MARKET	3 OF 3