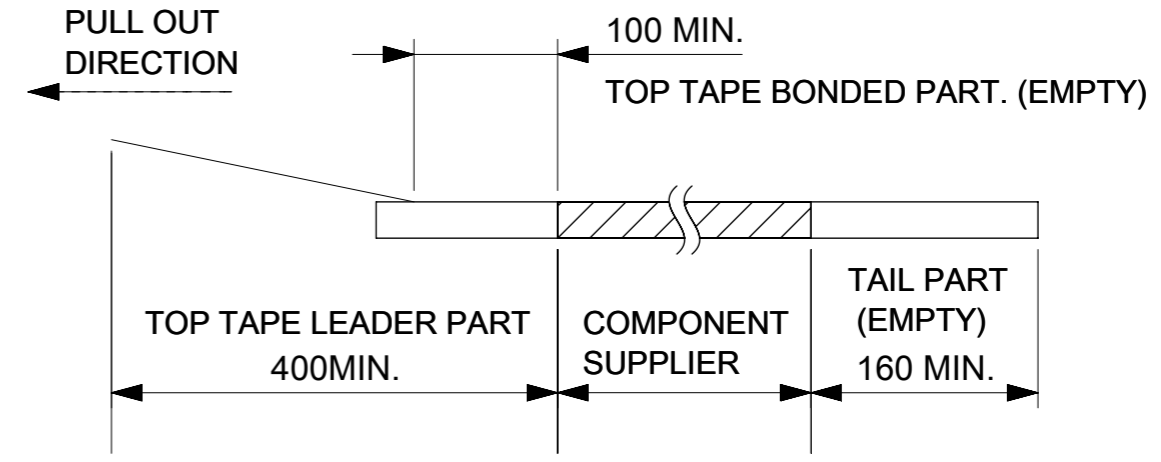
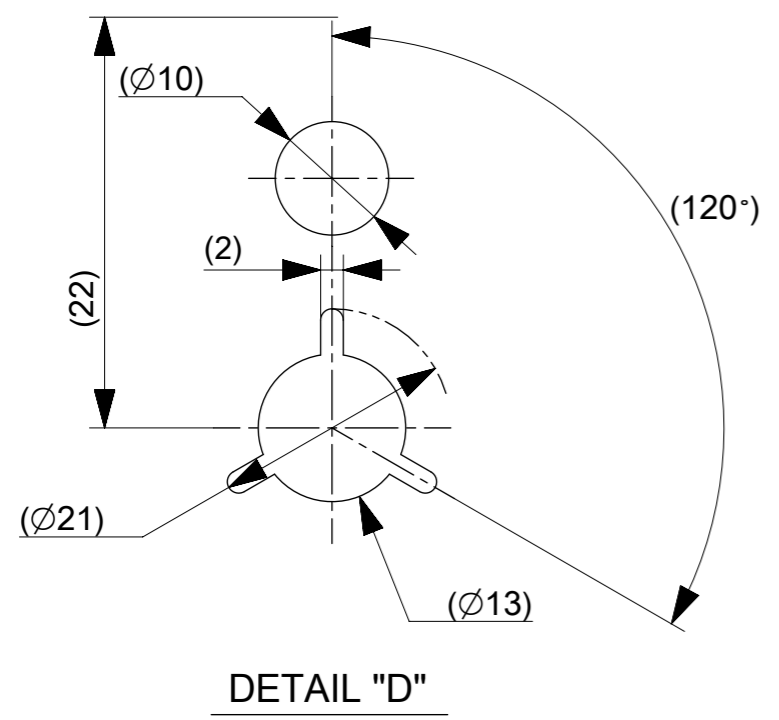


NOTES

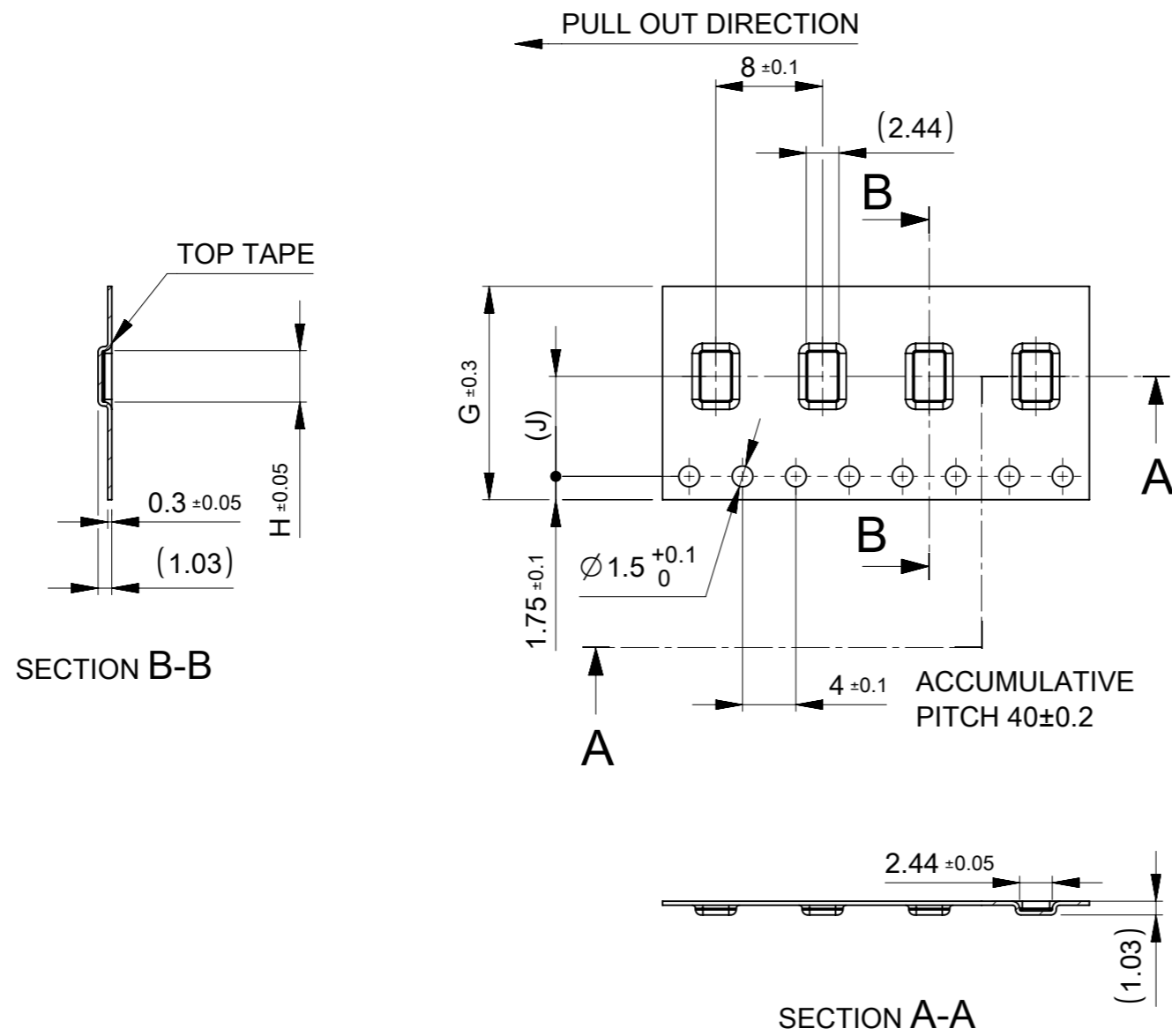
- 1. RE DETAILED DIMENSION, SEE PRODUCT DRAWING.
- 2. NUMBER OF CONNECTORS : 11000PCS/REEL
- 3. LEAD TAPE LENGTH.



- 4. PEELING OFF FORCE OF THE TOP TAPE IS DEFINED BY IEC60286-3.
- 5. MATERIAL
 CARRIER TAPE : POLYSTYRENE OR PET
 TOP TAPE : PET , OTHER
 REEL : POLYSTYRENE (PS) < RECYCLE MATERIAL CONTAINED >
- 6. CONFORM TO 2188779200-SPK/PS/200 FOR PACKAGING SPECIFICATION.
- 7. CONFORM TO 2188779200-SPK/PS/201 FOR PACKAGING SPECIFICATION.



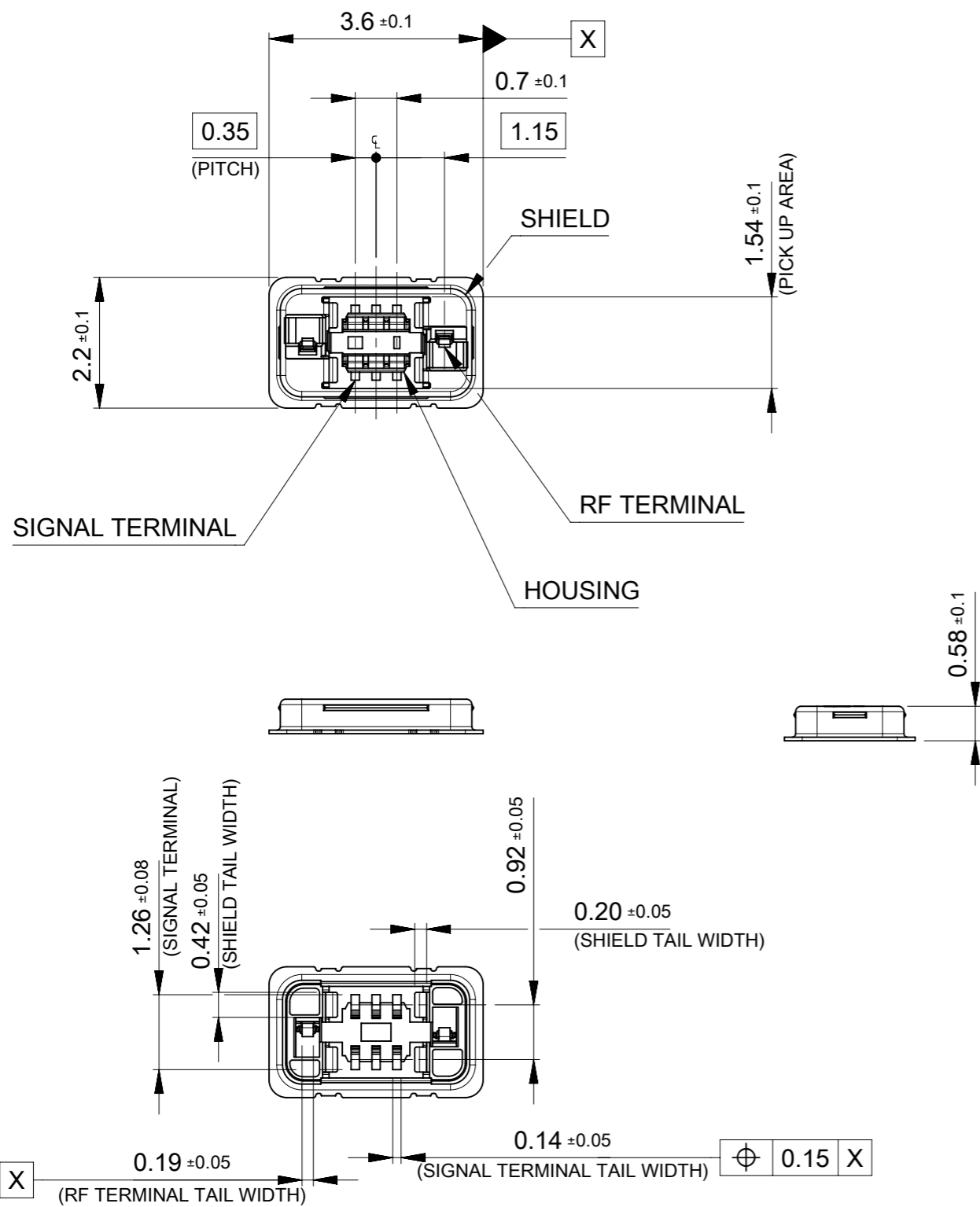
THIS DRAWING CONTAINS INFORMATION THAT IS PROPRIETARY TO MOLEX ELECTRONIC TECHNOLOGIES, LLC AND SHOULD NOT BE USED WITHOUT WRITTEN PERMISSION										
DIMENSION UNITS	SCALE	CURRENT REV DESC:				molex				
mm	1:1									
GENERAL TOLERANCES (UNLESS SPECIFIED)						5G25 PLUG EMBOSS PACKAGE				
ANGULAR TOL ± °						PRODUCT CUSTOMER DRAWING				
4 PLACES ±		EC NO: 732080				DOCUMENT NUMBER		DOC TYPE	DOC PART	REVISION
3 PLACES ±		DRWN: RAJMOK		2022/12/02		2188770000-SD		PSD	000	B
2 PLACES ±		CHK'D: YNUKANOBU		2022/12/15						
1 PLACE ±		APPR: YNAITO		2022/12/19						
0 PLACES ±		INITIAL REVISION:								
		DRWN: NKONDO		2021/11/09						
		APPR: KSASAKI		2022/09/14						
DRAFT WHERE APPLICABLE MUST REMAIN WITHIN DIMENSIONS		THIRD ANGLE PROJECTION	DRAWING	SERIES	MATERIAL NUMBER	CUSTOMER		SHEET NUMBER		
			A3-SIZE	218877	SEE SHEET-2	GENERAL		1 OF 2		



2188770064	2188770062	7.5	3.84	16	21.4	17.4	○	---	6
ORDER NO.	ORDER NO.						HIGH VOL. TOOL	LOW VOL. TOOL	
PACKAGING SPEC:	PACKAGING SPEC:	J	H	G	F	E	SAMPLE PREPARATION ○ : TOOLED △ : WORK IN PROCESS --- : TOOLING TO BE CONFIRMED		Ckt.

CONNECTOR SERIES No. 218877****

THIS DRAWING CONTAINS INFORMATION THAT IS PROPRIETARY TO MOLEX ELECTRONIC TECHNOLOGIES, LLC AND SHOULD NOT BE USED WITHOUT WRITTEN PERMISSION											
DIMENSION UNITS mm	SCALE 2:1	CURRENT REV DESC:					molex				
GENERAL TOLERANCES (UNLESS SPECIFIED)		EC NO: 732080									
ANGULAR TOL ± °		DRWN: RAJMOK 2022/12/02					5G25 PLUG EMBOSS PACKAGE				
4 PLACES ±		CHK'D: YNUKANOBU 2022/12/15									
3 PLACES ±		APPR: YNAITO 2022/12/19					PRODUCT CUSTOMER DRAWING				
2 PLACES ±		INITIAL REVISION:									
1 PLACE ±		DRWN: NKONDO 2021/11/09					DOCUMENT NUMBER		DOC TYPE	DOC PART	REVISION
0 PLACES ±		APPR: KSASAKI 2022/09/14					2188770000-SD		PSD	000	B
DRAFT WHERE APPLICABLE MUST REMAIN WITHIN DIMENSIONS	THIRD ANGLE PROJECTION	DRAWING	SERIES	MATERIAL NUMBER	CUSTOMER	SHEET NUMBER					
		A3-SIZE	218877	SEE TABLE	GENERAL	2 OF 2					

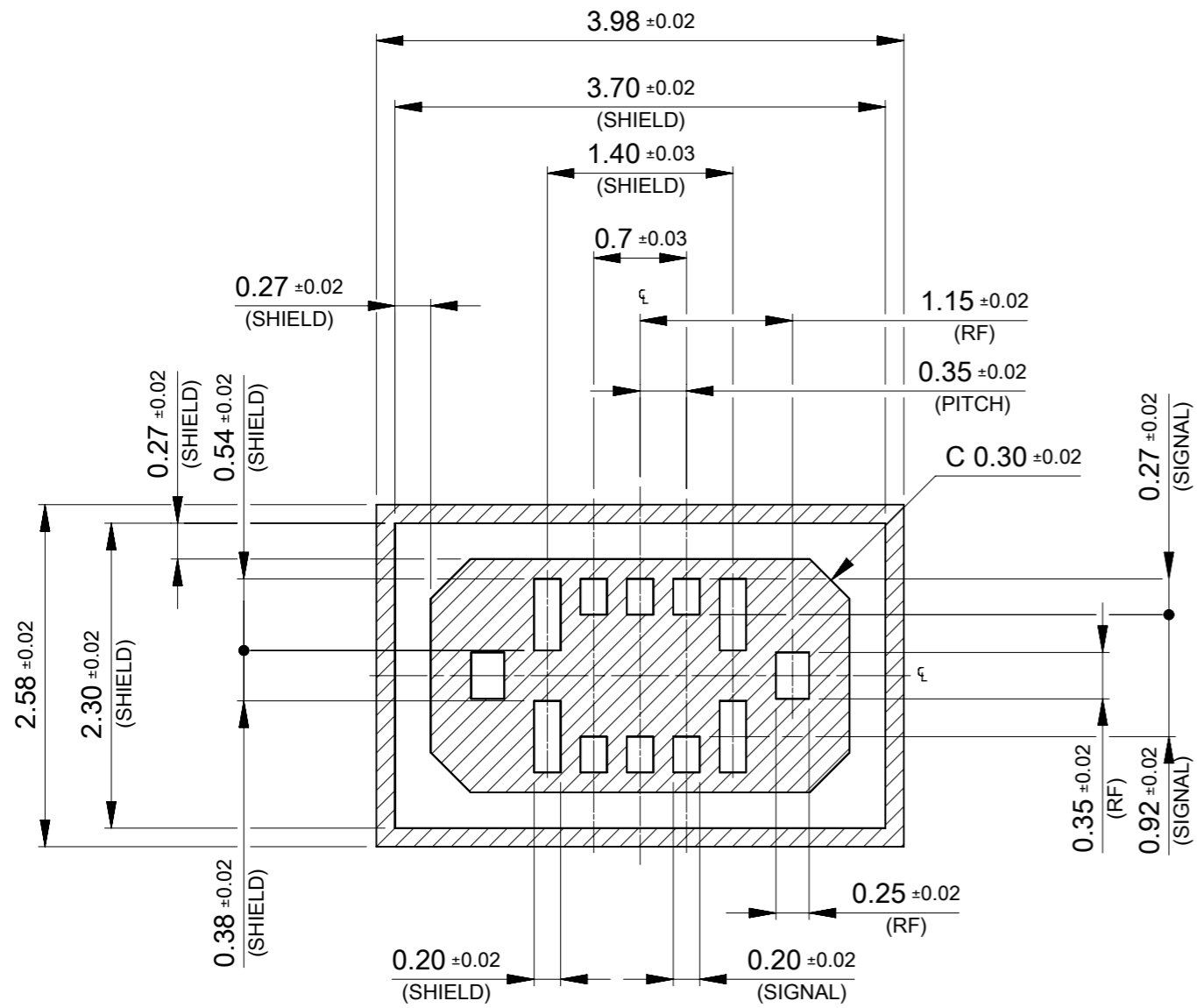


NOTES

- MATERIAL
 - HOUSING : LIQUID CRYSTAL POLYMER UL94V-0(COLOR : BLACK)
 - SIGNAL TERMINAL : COPPER ALLOY
 - RF TERMINAL : COPPER ALLOY
 - SHIELD : COPPER ALLOY
- PLATING
 - SIGNAL TERMINAL
 - CONTACT AREA : GOLD
 - TAIL AREA : GOLD
 - UNDER : NICKEL
 - RF TERMINAL
 - CONTACT AREA : GOLD
 - TAIL AREA : GOLD
 - UNDER : NICKEL
 - SHIELD
 - TAIL AREA : NICKEL (SOLDERABLE)
- MATE WITH :2188760062
- COPLANARITY TO BE 0.08MAXIMUM.
- CONFORM TO 2188779200-SPK/PS/200 FOR PACKAGING SPECIFICATION.
- CONFORM TO 2188779200-SPK/PS/201 FOR PACKAGING SPECIFICATION.

2188770064	2188770062	○	---	6
EMBOSED TAPE PACKAGE	EMBOSED TAPE PACKAGE	HIGH VOL. TOOL	LOW VOL. TOOL	SIGNAL CIRCUIT
ORDER No.	ORDER No.	SAMPLE PREPARATION ○ : TOOLED △ : WORK IN PROCESS --- : TOOLING TO BE CONFIRMED		
PACKAGING SPEC: △ 6	PACKAGING SPEC: △ 5			

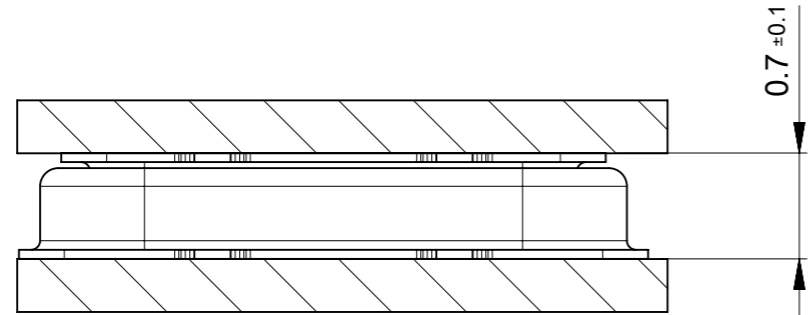
THIS DRAWING CONTAINS INFORMATION THAT IS PROPRIETARY TO MOLEX ELECTRONIC TECHNOLOGIES, LLC AND SHOULD NOT BE USED WITHOUT WRITTEN PERMISSION									
DIMENSION UNITS	SCALE	CURRENT REV DESC:							
mm	10:1								
GENERAL TOLERANCES (UNLESS SPECIFIED)		EC NO: 732080			5G25 PLUG ASSY				
ANGULAR TOL ± 3.0 °		DRWN: RAJMOK 2022/12/07							
4 PLACES ± 0.03		CHK'D: YNUKANOBU 2022/12/15			PRODUCT CUSTOMER DRAWING				
3 PLACES ± 0.03		APPR: YNAITO 2022/12/19							
2 PLACES ± 0.05		INITIAL REVISION:			DOCUMENT NUMBER: 2188771000-SD				
1 PLACE ± 0.1		DRWN: NKONDO 2021/11/09							
0 PLACES ± 0.2		APPR: KSASAKI 2022/09/14			DOC TYPE: PSD				
DRAFT WHERE APPLICABLE MUST REMAIN WITHIN DIMENSIONS		THIRD ANGLE PROJECTION							
		DRAWING: A3-SIZE		SERIES: 218877		DOC PART: 000		REVISION: B	
		MATERIAL NUMBER: SEE TABLE		CUSTOMER: GENERAL		SHEET NUMBER: 1 OF 2			



P.W. BOARD PATTERN LAYOUT

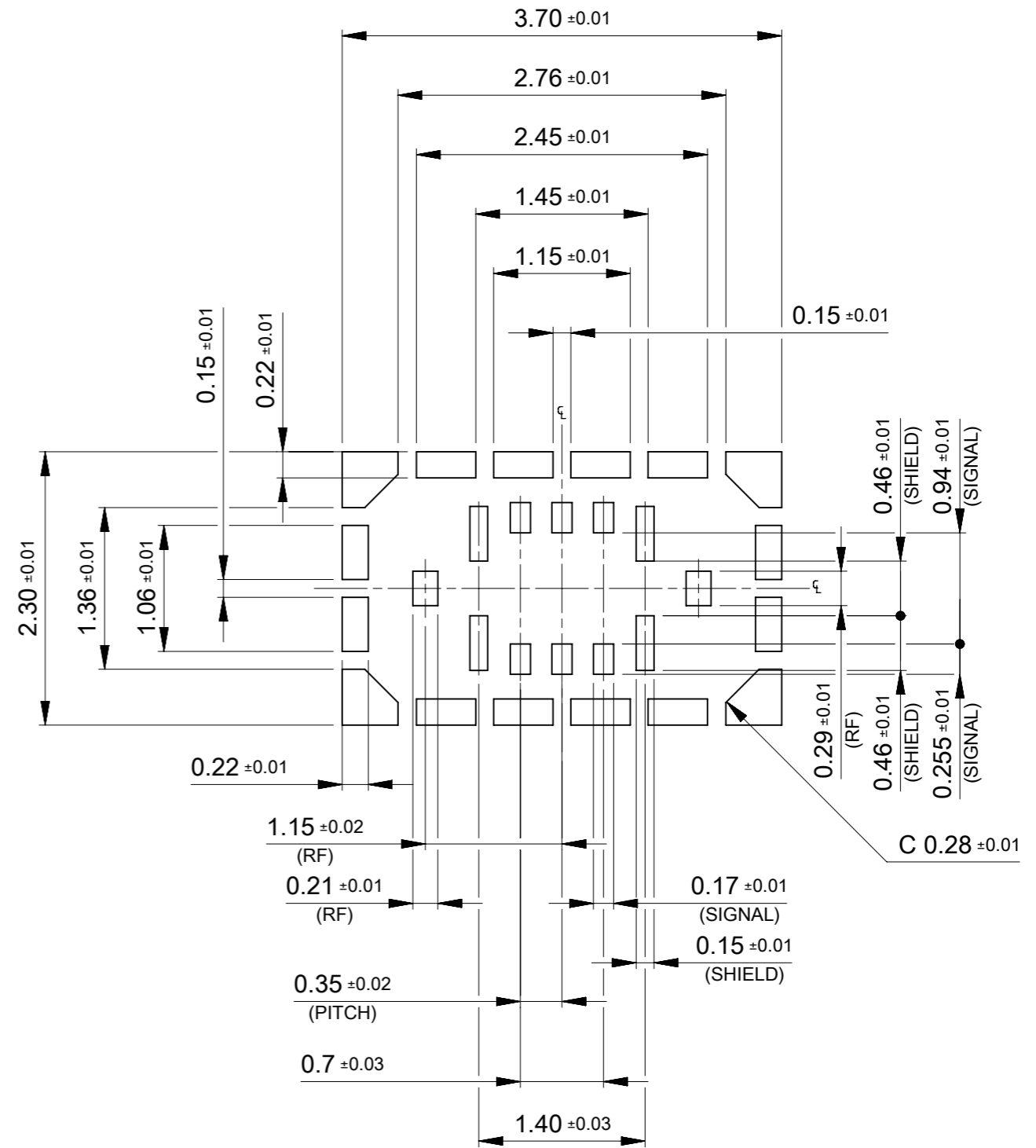


SOLDERING PROHIBITED AREA
 WHEN WIRING IS LOCATED, THE WIRING MUST BE MASKED
 BY COVER LAY OR RESIST FILM.



MATED CONDITION

THIS DIMENSION SHOW A DIMENSION BETWEEN THE TAIL TO TAIL.



METAL MASK LAYOUT

THICKNESS OF METAL MASK : t=0.08mm

THIS DRAWING CONTAINS INFORMATION THAT IS PROPRIETARY TO MOLEX ELECTRONIC TECHNOLOGIES, LLC AND SHOULD NOT BE USED WITHOUT WRITTEN PERMISSION									
DIMENSION UNITS		SCALE		CURRENT REV DESC:				molex	
mm		20:1							
GENERAL TOLERANCES (UNLESS SPECIFIED)									
ANGULAR TOL ± 3.0 °									
4 PLACES ± 0.03									
3 PLACES ± 0.03									
2 PLACES ± 0.05									
1 PLACE ± 0.1									
0 PLACES ± 0.2									
DRAFT WHERE APPLICABLE MUST REMAIN WITHIN DIMENSIONS									
THIRD ANGLE PROJECTION		DRAWING		SERIES		MATERIAL NUMBER		CUSTOMER	
		A3-SIZE		218877		SEE SHEET-1		GENERAL	
EC NO: 732080				DRWN: RAJMOK		2022/12/07		PRODUCT CUSTOMER DRAWING	
CHK'D: YNUKANOBU				APPR: YNAITO		2022/12/19			
INITIAL REVISION:				DRWN: NKONDO		2021/11/09		DOCUMENT NUMBER	
APPR: KSASAKI				2022/09/14		2188771000-SD		DOC TYPE DOC PART REVISION	
						PSD		000 B	
SHEET NUMBER		2 OF 2							