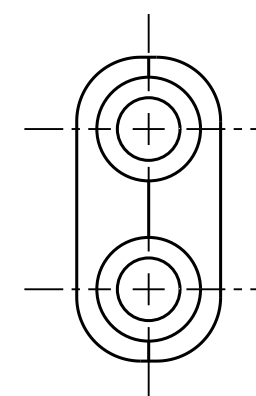
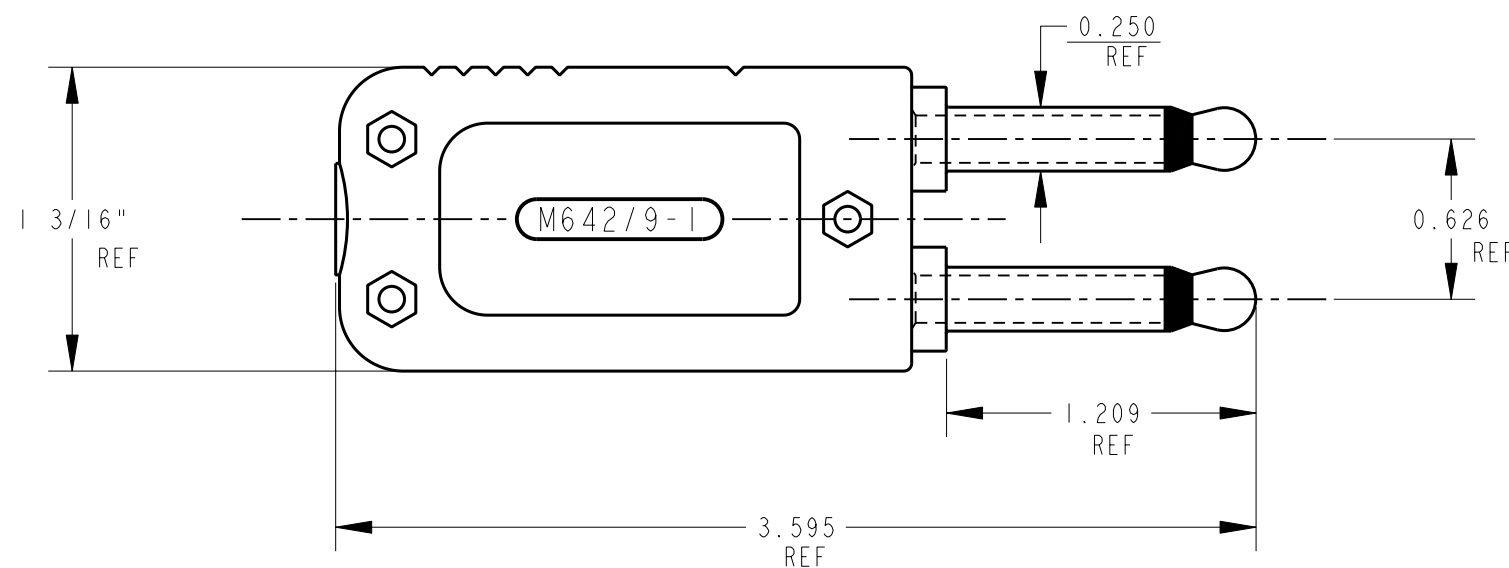
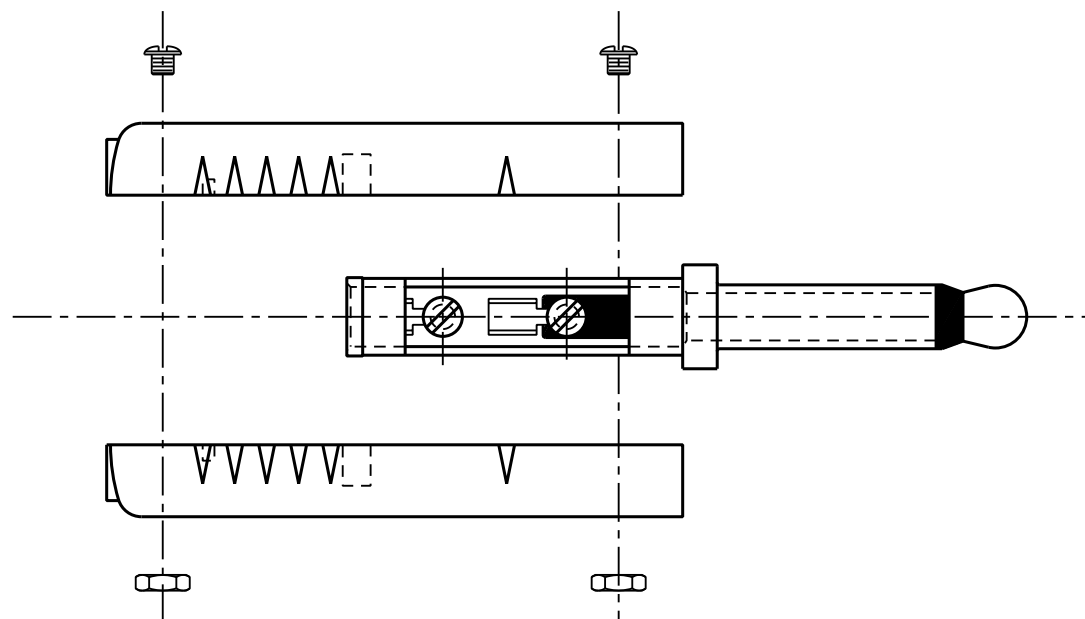


NOTES:

1. ALL PARTS SHIPPED UNASSEMBLED.



CUSTOMER DRAWING
 CAD/CAM DWG. NO.
 411_CD
 SHEET 1 OF 1

MATERIAL SPECIFICATIONS:

TIP, ROD, RING SLEEVE: BRASS NATURAL FINISH.
 BODY SCREWS: BRASS NATURAL FINISH.
 TERMINALS: BRASS, ELECTRO TINNED.
 INSULATION: ETHYL CELLULOSE; PER MIL-P-22985.
 HANDLE: ETHYL CELLULOSE; PER MIL-P-22985.

★ STAR SYMBOL DENOTES CRITICAL DIMENSION, SEE S/C ENGINEERING STANDARD ES-0001					THIS DRAWING DESCRIBES A DESIGN CONSIDERED PROPRIETARY IN NATURE, DEVELOPED AND MANUFACTURED BY SWITCHCRAFT INC. AND IS RELEASED ON A CONFIDENTIAL BASIS FOR IDENTIFICATION PURPOSE ONLY.				
UNLESS OTHERWISE SPECIFIED					SIZE	WIDTH	MULT	LBS./M	TEMPER
1. ALL DIMENSIONS IN INCHES TWO PLACE DECIMAL ±.01 THREE PLACE DECIMAL ±.005 FRACTIONAL DIMENSIONS ±1/64 ANGLES ±1/2° ALL DIA'S CONCENTRIC WITHIN .005 T.I.R.					FINISH		MATERIAL		
2. REMOVE ALL BURRS					SPEC. NO.		SPEC. NO.		
3. MAKE NO DIMENSIONAL ALLOWANCES FOR APPLIED FINISHES, I.E., PLATING, PAINTING, ETC.					FIRST USED ON M642/9-1		SCALE 1 = 0.750		
4. HOLES ON THE SAME CENTERLINE MUST BE ALIGNED WITHIN ±.002					DATE DRAWN 8-7-68	BY MB	CHK'D CJW 8-7-68	APP'D GHJ 12-15-92	
REVISIONS					NAME TWIN PLUG		PART NO. 411		ISSUE B
B	ECO #20627	1-23-96	DEA	TAO					
A	RELEASE TO PROD.	7-18-92	LR	GHJ					
ISSUE	CHANGE NO.	DATE	BY	APP'D					