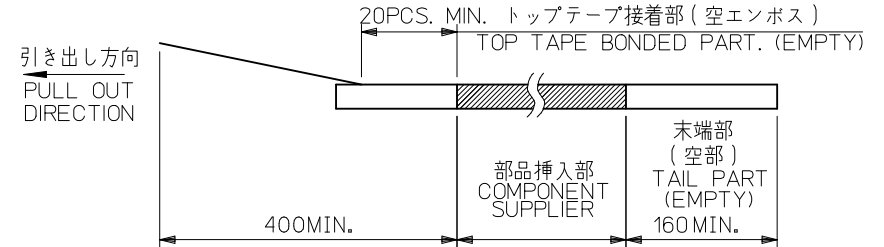


注記 NOTES

- 製品詳細寸法については製品単体図面を参照下さい。  
RE DETAILED DIMENSION, SEE PRODUCT DRAWING.
- 梱包数量: 3000 個/リール  
NUMBER OF CONNECTORS : 3000PCS/REEL
- リードテープ長さ LEAD TAPE LENGTH

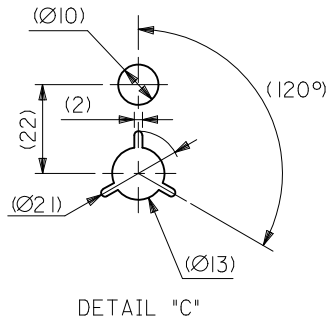
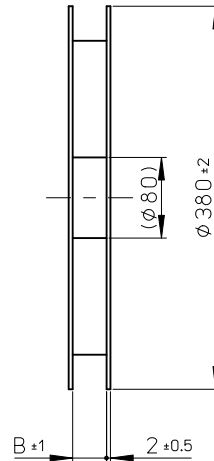
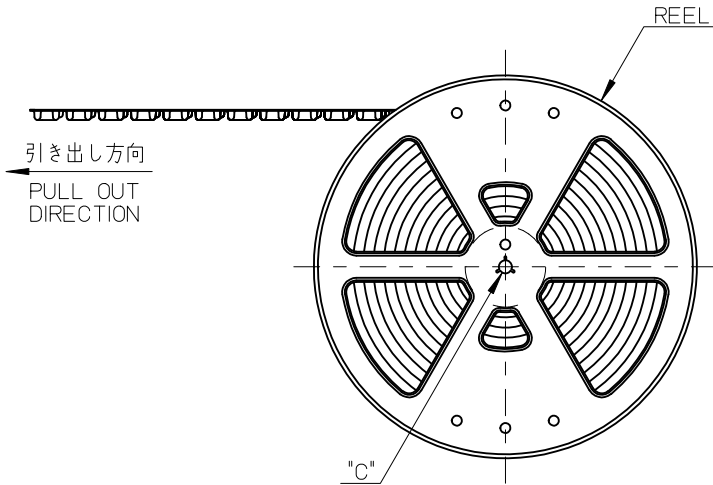


- トップテープの剥離強度: 0.1N~1.3N(10gf~130gf)  
(剥離方向は下図参照)  
尚、本規格値は出荷時に適用。(但し、輸送時に剥離が発生しないこと。)  
PEELING OFF FORCE OF TOP TAPE : 0.1N~1.3N(10gf~130gf)  
(PEELING DIRECTION AS SHOWN IN FOLLOWING FIG.)  
THIS REQUIREMENT SHOULD BE APPLIED AT SHIPMENT.  
PEEL OFF SHOULD NOT BE ALLOWED, DURING TRANSPORTION.



- 材料 MATERIAL  
キャリアテープ (CARRIER TAPE): ポリスチレン (POLYSTYRENE)  
トップテープ (TOP TAPE): PET, PE, PEF  
リール (REEL): ポリスチレン (PS) <リサイクル材を含む>  
POLYSTYRENE (PS) <RECYCLE MATERIAL CONTAINED>
- ELV 及び RoHS適合品  
ELV AND RoHS COMPLIANT

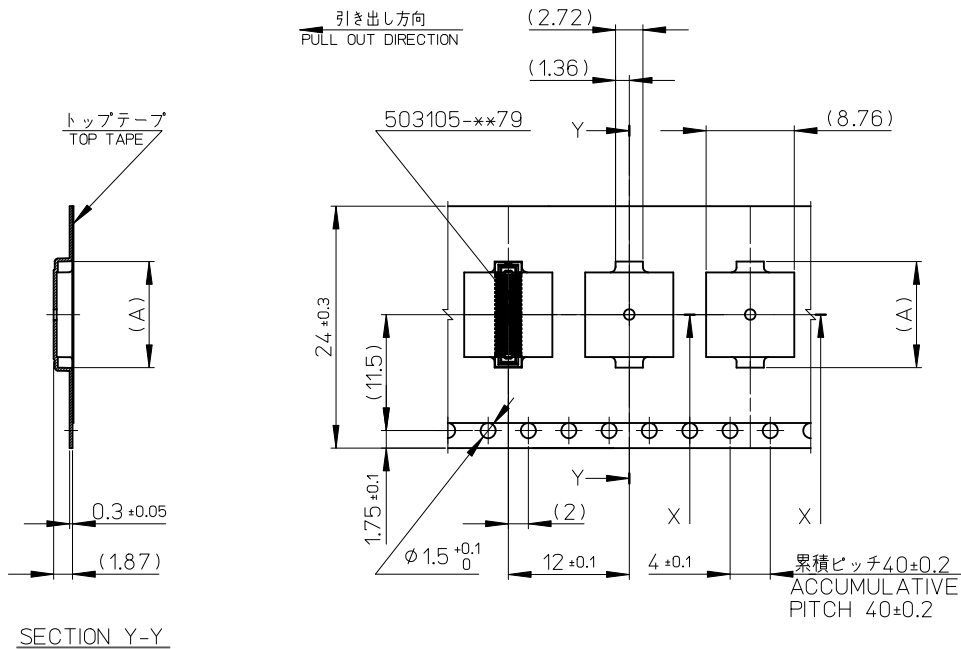
10 9 8 7 6 5 4 3 2 1



DETAIL "C"

MODEL NO. 503105-\*\*-70

REVISED EC NO: J2012-0687 DRWN:MYOSHIDA 2011/11/25 CHKD:TASAKAWA 2011/11/25 APPR:MSASAO 2011/11/30	DESCRIPTION REV	GENERAL TOLERANCES (UNLESS SPECIFIED)		DIMENSION STYLE MM ONLY		SCALE	DESIGN UNITS METRIC	THIRD ANGLE PROJECTION	
		10 UNDER	±---	DRAWN BY TTANIGUCHI	DATE 2009/01/27	TITLE 0.4 B-T0-B CONN. HGT=1.5 REC ASSY EMBSTP PKG CHECKER TYPE			
		10 OVER 30 UNDER	±---	CHECKED BY THIRATA	DATE 2009/01/27	MOLEX INCORPORATED			
		30 OVER	±---	APPROVED BY MSASAO	DATE 2009/01/27	MATERIAL NO. SEE CHART DOCUMENT NO. SD-503105-004 SHEET NO. 1 OF 2			
ANGULAR ±---°		DRAFT WHERE APPLICABLE MUST REMAIN WITHIN DIMENSIONS		SIZE A3		THIS DRAWING CONTAINS INFORMATION THAT IS PROPRIETARY TO MOLEX INCORPORATED AND SHOULD NOT BE USED WITHOUT WRITTEN PERMISSION			



24mm 幅キャリアテープ  
24mm WIDTH CARRIER TAPE

24	25.5	12.52	503105-5070	50	
		11.32	503105-4470	44	
		10.52	503105-4070	40	
キャリアテープ幅 CARRIER TAPE WIDTH		B	(A)	MATERIAL No.	CKT.
			MODEL No.	503105-**-70	

<b>RELEASED</b> EC NO: J2012-0687 DRWN: MYOSHIDA 2011/11/25 CHKD: TASAKAWA 2011/11/25 APPR: MSASAO 2011/11/30	DESCRIPTION REV	GENERAL TOLERANCES (UNLESS SPECIFIED)		DIMENSION STYLE MM ONLY		SCALE	DESIGN UNITS METRIC	THIRD ANGLE PROJECTION		
		10 UNDER	± ---	DRAWN BY TTANIGUCHI		DATE 2009/01/27		TITLE 0.4 B-T0-B CONN. HGT=1.5 REC ASSY EMBSTP PKG CHECKER TYPE		
		10 OVER 30 UNDER	± ---	CHECKED BY THIRATA		DATE 2009/01/27		APPROVED BY MSASAO 2009/01/27		
		30 OVER	± ---	APPROVED BY MSASAO		DATE 2009/01/27		MATERIAL NO. SEE CHART		
ANGULAR ± --- °		DRAFT WHERE APPLICABLE MUST REMAIN WITHIN DIMENSIONS		SIZE A3		DOCUMENT NO. SD-503105-004		SHEET NO. 2 OF 2		