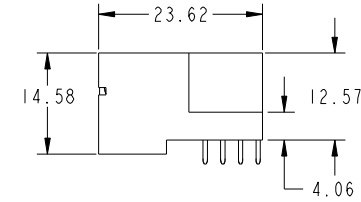
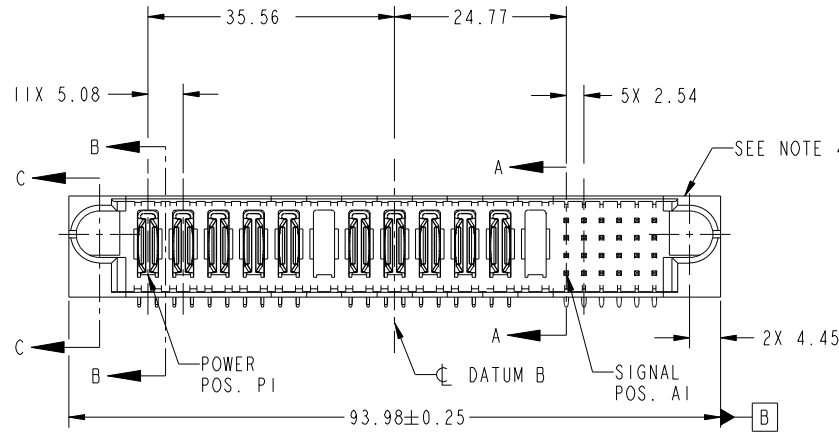
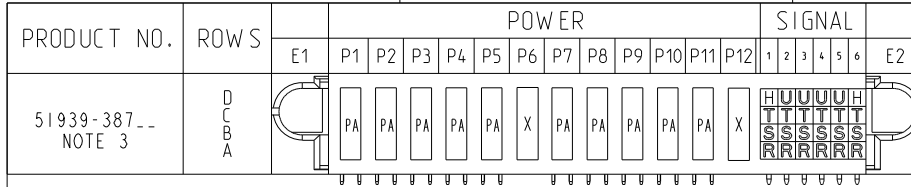


Tous droits strictement reserves. Reproduction ou communication a des tiers interdite sous quelque forme que ce soit sans autorisation écrite du propriétaire. Propriete de c FCI. Droits de reproduction FCI.



All rights strictly reserved. Reproduction or issue to third parties in any form whatever is not permitted without written authority from the proprietor. Property of FCI. Copyright FCI.



| CODE | DIM "M" MATING LENGTH | CONTACT TYPE |
|------|-----------------------------|-----------------|
| T | [6.86] | SIGNAL |
| S | [6.86] | SIGNAL |
| R | [6.86] | SIGNAL |
| U | [6.86] | SIGNAL |
| PA | [N/A] | POWER |
| H | [5.59] | SIGNAL |
| X | OMITTED | OMITTED |

| | | | | | | | | | | | |
|-------------|----------------|----|----------|----------|-------------|---------------------------------------|--|----------------|--------|--|------|
| mat'l code | | | | SEE NOTE | | tolerances unless otherwise specified | | CUSTOMER | | www.fciconnect.com | |
| ltr | ecn no. | dr | date | linear | 0.X ±0.5 | projection | | COPY | | title | |
| A | DG08-0300 | JC | 10/30/08 | angles | 0.XX ±0.25 | | | MIM | | 12P + 24S RIGHT ANGLE SOLDER HEADER | |
| | | | | dr | 0.XXX ±0.10 | | | product family | | PwrBlade | code |
| | | | | enrg | 0° ±2° | scale | | size | dwg no | A | 213 |
| | | | | chr | | 1:1 | | 51939-387 | | sheet | |
| | | | | appd | | | | | | 1 of 4 | |
| | | | | | | | | | | | |
| sheet index | revision sheet | A | A | A | A | | | | | | |
| | | 1 | 2 | 3 | 4 | | | | | | |

cage code 22526

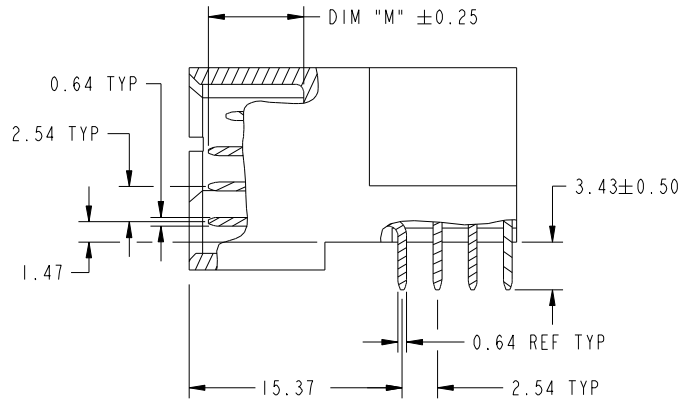
Pro/E

Tous droits strictement reserves. Reproduction ou communication a des tiers interdite sous quelque forme que ce soit sans autorisation écrite du propriétaire. Propriete de c FCI. Droits de reproduction FCI.

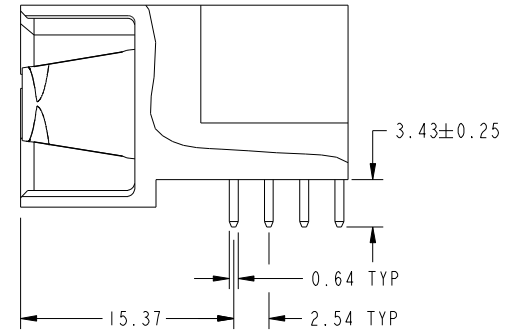
All rights strictly reserved. Reproduction or issue to third parties in any form whatever is not permitted without written authority from the proprietor. Property of FCI. Copyright FCI.



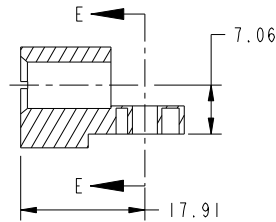
PRODUCT NUMBER
51939-387_
NOTE: 3



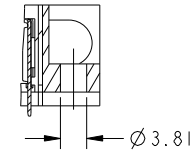
BROKEN-OUT SECTION A-A
SCALE 2:1



BROKEN-OUT SECTION B-B
SCALE 2:1



SECTION C-C



PARTIAL SECTION E-E

| | | | | | | | | | | | |
|-------------|---------|----------------|-------------|----------|-------------|---------------------------------------|--|----------------|--|--------------------|--|
| mat'l code | | | | SEE NOTE | | tolerances unless otherwise specified | | CUSTOMER | | FCI | |
| ltr | ecr no. | dr | date | linear | 0.X ±0.5 | projection | | COPY | | www.fciconnect.com | |
| A | | | | | 0.XX ±0.25 | MIM | | title | | 12P + 24S | |
| | | | | angles | 0.XXX ±0.10 | 1:1 | | product family | | PwrBlade | |
| | | dr | Jerome Chen | 10/24/08 | 0° ±2° | size | | product family | | code | |
| | | enr | Jerome Chen | 10/24/08 | | dwg no | | PwrBlade | | 213 | |
| | | chr | Gary Hsieh | 10/24/08 | | 51939-387 | | sheet | | 2 of 4 | |
| | | appd | Joseph Hsia | 10/24/08 | | A | | sheet | | 2 of 4 | |
| sheet index | | revision sheet | | | | | | | | | |

Pro/E

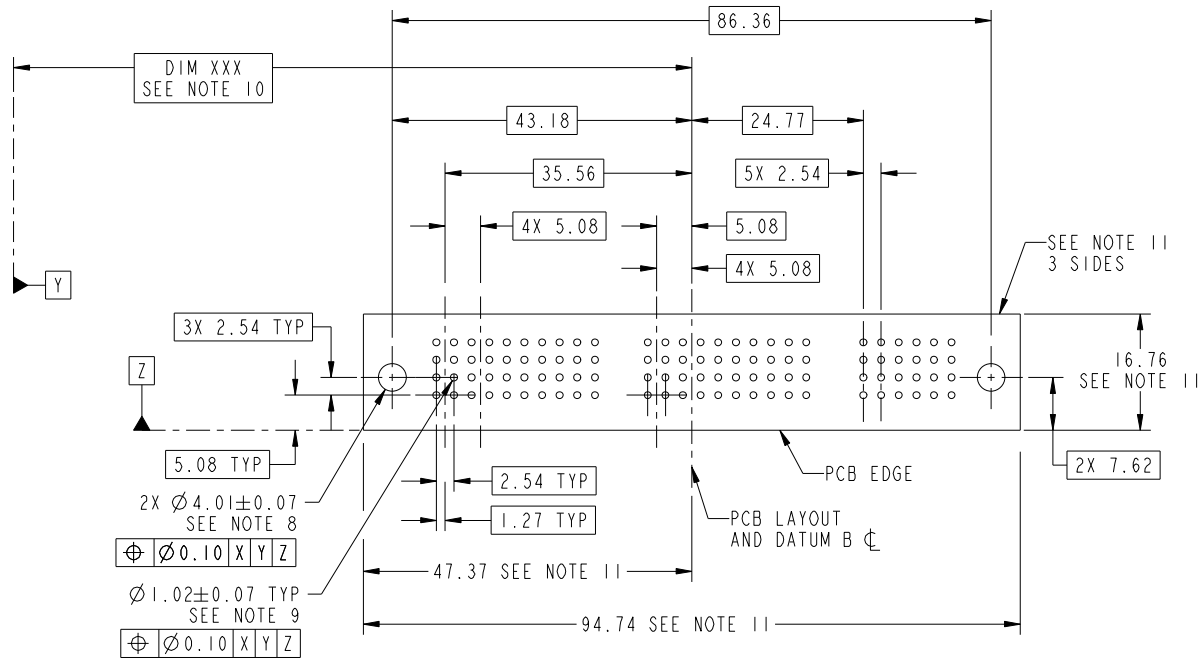
cage code 22526

Tous droits strictement reserves. Reproduction ou communication a des tiers interdite sous quelque forme que ce soit sans autorisation écrite du propriétaire. Propriete de c FCI. Droits de reproduction FCI.

All rights strictly reserved. Reproduction or issue to third parties in any form whatever is not permitted without written authority from the proprietor. Property of FCI. Copyright FCI.



PRODUCT NUMBER
51939-387_
NOTE: 3



RECOMMENDED PCB LAYOUT

| | | | | | | | | | |
|-------------|----------------|----------|-------------|---------------------------------------|--------------|-------------|--|--|--|
| mat'l code | | SEE NOTE | | tolerances unless otherwise specified | | CUSTOMER | | FCI | |
| ltr | ecn no. | dr | date | linear | 0.X ± 0.5 | COPY | | www.fciconnect.com | |
| A | | | | | 0.XX ± 0.25 | projection | | title | |
| | | | | angles | 0.XXX ± 0.10 | | | 12P + 24S RIGHT ANGLE SOLDER HEADER | |
| | | | | | 0° ± 2° | | | product family PwrBlade code | |
| | | dr | Jerome Chen | 10/24/08 | | size | | 213 | |
| | | enr | Jerome Chen | 10/24/08 | | dwg no | | sheet | |
| | | chr | Gary Hsieh | 10/24/08 | | A 51939-387 | | 3 of 4 | |
| | | appd | Joseph Hsia | 10/24/08 | scale | 1:1 | | | |
| sheet index | revision sheet | | | | | | | | |

cage code 22526

Pro/E

Tous droits strictement reserves. Reproduction ou communication a des tiers interdite sous quelque forme que ce soit sans autorisation écrite du propriétaire. Propriete de c FCI. Droits de reproduction FCI.



All rights strictly reserved. Reproduction or issue to third parties in any form whatever is not permitted without written authority from the proprietor. Property of FCI. Copyright FCI.

PRODUCT NUMBER
51939-387_
NOTE: 3

NOTES:

1. DIMENSIONS AND TOLERANCES ARE IN ACCORDANCE WITH ASME Y14.5M, 1994 UNLESS OTHERWISE SPECIFIED.

CONNECTOR NOTES:

- 2. HOUSING MATERIAL: UL 94 V-0 GLASS FILLED HIGH-TEMP THERMOPLASTIC
POWER CONTACT MATERIAL: COPPER ALLOY
SIGNAL PIN MATERIAL: COPPER ALLOY
- 3. SEE ITEM 1 & 2 IN PRINT 10064183 FOR PLATING SPEC OF 51939-387 AND 51939-387LF RESPECTIVELY
- 4. MANUFACTURER'S NAME, P/N, AND DATE CODE TO APPEAR ON THIS SURFACE.
- 5. PRODUCT SPECIFICATION GS-12-149.
APPLICATION SPECIFICATION BUS-20-067.
- 6. PACKAGED IN TRAYS.

PCB NOTES:

- 7. ALL HOLE DIAMETERS ARE FINISHED HOLE SIZE.
- 8. MOUNTING HOLES, WHERE APPLICABLE, ARE UNPLATED.
- 9. $\varnothing 1.151 \pm 0.025$ DRILLED HOLES PLATED WITH
0.008 MIN SnPb OR Sn OVER 0.03
TO 0.08 Cu PLATING TO ACHIEVE
 $\varnothing 1.02 \pm 0.07$ HOLE.
- 10. "DIM XXX" TO BE DETERMINED BY THE CUSTOMER.
- 11. CONNECTOR KEEP-OUT ZONE.

| | | | | | | | | | | | |
|-------------|----------------|----------|------|---------------------------------------|----------------------|------------|--|--|--|--------------------|--|
| mat'l code | | SEE NOTE | | tolerances unless otherwise specified | | CUSTOMER | | FCI | | www.fciconnect.com | |
| ltr | ecr no. | dr | date | linear | 0.X ± 0.5 | COPY | | title 12P + 24S RIGHT ANGLE SOLDER HEADER | | | |
| A | | | | | 0.XX ± 0.25 | projection | | | | | |
| | | | | angles | 0.XXX ± 0.10 | | | | | | |
| | | | | dr | Jerome Chen 10/24/08 | MIM | | product family PwrBlade | | code 213 | |
| | | | | enr | Jerome Chen 10/24/08 | | | size | | sheet 4 of 4 | |
| | | | | chr | Gary Hsieh 10/24/08 | scale 1:1 | | A | | 51939-387 | |
| | | | | appd | Joseph Hsia 10/24/08 | | | | | | |
| sheet index | revision sheet | | | | | | | | | | |

cage code 22526

Pro/E