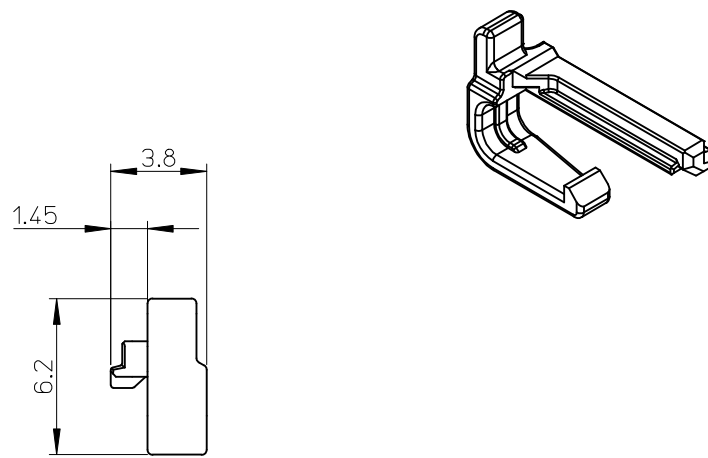
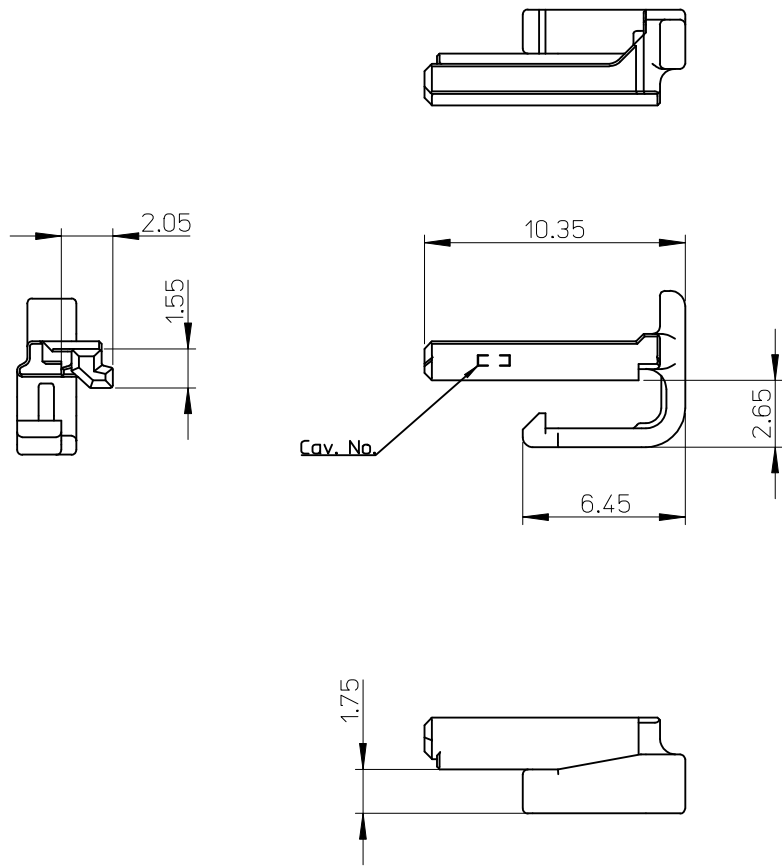


GENERAL TOLERANCE										USED ON
10 MAX	30 MAX	50 MAX	70 MAX	100 MAX	120 MAX	250 MAX	250 OVR	ANGLE	ECCENT	
±0.15	±0.20	±0.30	±0.40	±0.50	±0.75	±0.90	±1.4	±0.5°	0.1	

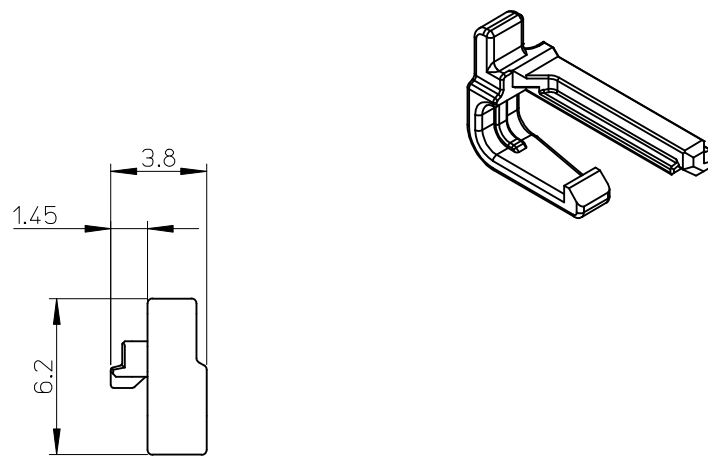
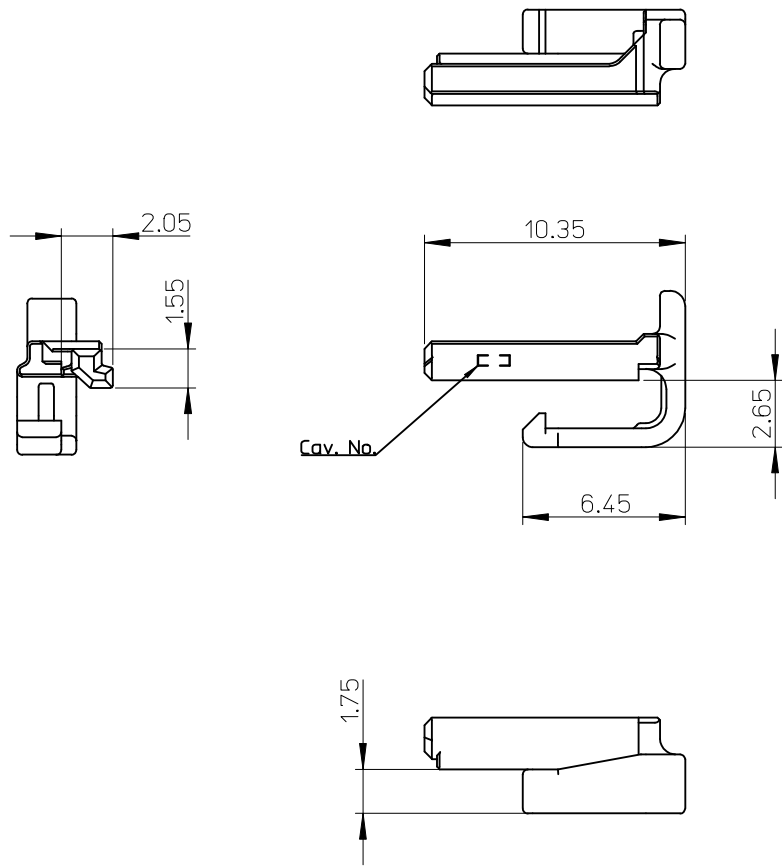


- NOTES:
1. MATERIALS: POLYESTER (PBT), GLASS FILLED, UL94V-0, COLOR: GRAY
 2. APPLICABLE HOUSING : 560123-0400
 3. GENERAL TOLERANCES : SEE TABLE
 4. ELV AND RoHS COMPLIANT
 5. PRODUCT SPECIFICATION: PS-560123-001
 6. PACKING SPECIFICATION: PK-560125-001

ORDER NO	MATERIAL NO
560125-0400	5601250400

NEW RELEASE EC NO: KTR2014-0051 DRWN: YIBA EK 2014/07/03 CHKD: APPR: SRTAK 2014/08/26	QUALITY SYMBOLS = 0 = 0	GENERAL TOLERANCES (UNLESS SPECIFIED)		DIMENSION STYLE MM ONLY		SCALE 5:1	DESIGN UNITS METRIC	THIRD ANGLE PROJECTION		
			mm	INCH	DRAWN BY YIBA EK	DATE 2014/07/03	TITLE NEW 2.0 PITCH W/B CONN REC.4WAY ISL DURA CLIK™ ISL SERIES			
		4 PLACES	± ---	± ---	CHECKED BY	DATE	APPROVED BY SRTAK			
		3 PLACES	± ---	± ---	DATE 2014/08/26		DOCUMENT NO. SD-560125-002			
2 PLACES		± ---	± ---	MATERIAL NO.		SHEET NO. 1 OF 1				
1 PLACE		± ---	± ---	ANGULAR ± ---°		SIZE A3				
DRAFT WHERE APPLICABLE MUST REMAIN WITHIN DIMENSIONS		SEE TABLE		THIS DRAWING CONTAINS INFORMATION THAT IS PROPRIETARY TO MOLEX INCORPORATED AND SHOULD NOT BE USED WITHOUT WRITTEN PERMISSION						

GENERAL TOLERANCE										USED ON
10 MAX	30 MAX	50 MAX	70 MAX	100 MAX	120 MAX	250 MAX	250 OVR	ANGLE	ECCENT	
±0.15	±0.20	±0.30	±0.40	±0.50	±0.75	±0.90	±1.4	±0.5°	0.1	



- NOTES:
1. MATERIALS: POLYESTER (PBT), GLASS FILLED, UL94V-0, COLOR: GRAY
 2. APPLICABLE HOUSING : 560123-0400
 3. GENERAL TOLERANCES : SEE TABLE
 4. ELV AND RoHS COMPLIANT
 5. PRODUCT SPECIFICATION: PS-560123-001
 6. PACKING SPECIFICATION: PK-560125-001

ORDER NO	MATERIAL NO
560125-0400	5601250400

NEW RELEASE EC NO: KTR2014-0051 DRWN:YIBAOK 2014/07/03 CHKD: APPR:SRTAK 2014/08/26	QUALITY SYMBOLS =0 =0	GENERAL TOLERANCES (UNLESS SPECIFIED)		DIMENSION STYLE MM ONLY		SCALE 5:1	DESIGN UNITS METRIC	THIRD ANGLE PROJECTION		
			mm	INCH	DRAWN BY YIBAOK	DATE 2014/07/03	TITLE NEW 2.0 PITCH W/B CONN REC.4WAY ISL DURAOLIK™ ISL SERIES			
		4 PLACES	±---	±---	CHECKED BY	DATE	MOLEX INCORPORATED			
		3 PLACES	±---	±---	APPROVED BY SRTAK	DATE 2014/08/26				
2 PLACES	±---	±---	ANGULAR ±---°		MATERIAL NO.	DOCUMENT NO.	SHEET NO.			
1 PLACE	±---	±---	DRAFT WHERE APPLICABLE MUST REMAIN WITHIN DIMENSIONS		SIZE A3	SD-560125-002 1 OF 1				