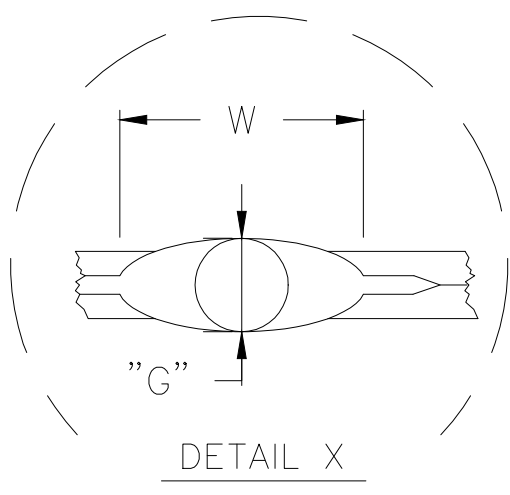
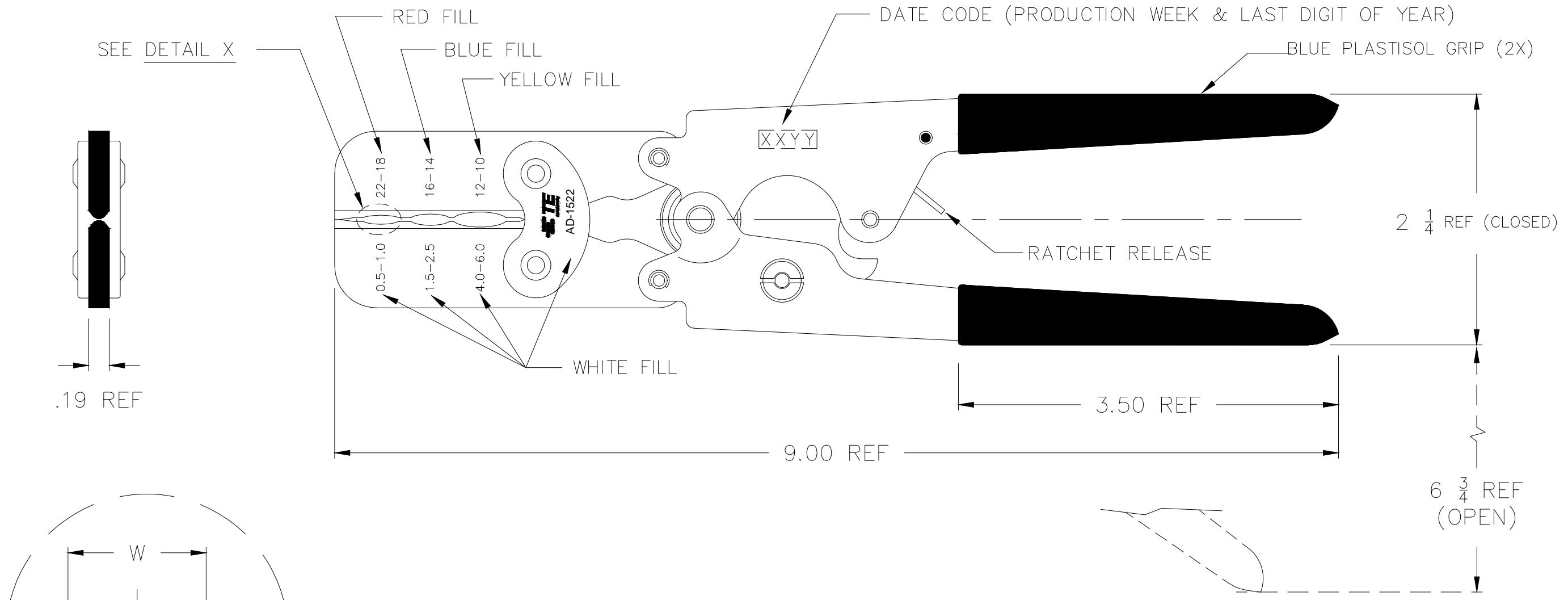


REVISIONS					
P	LTR	DESCRIPTION	DATE	DWN	APVD
	C	REVISED AS PER ECO-20-014466	22OCT2020	JZ	NP



NOTES:

1. GAGE NEST DIMENSION "G" WITH HANDLES CLOSED TO RATCHET STOP POSITION.
2. RATCHET CONTROLLED RELEASE HANDLE LOAD OF 35 - 45 LBS IS REQUIRED TO RELEASE RATCHET WHEN APPLIED APPROXIMATELY 1.75 INCHES FROM END OF HANDLES.

NEST COLOR & AWG	"G" DIMENSION $\triangle 1$	W
RED (22-18)	.094/.090	.25
BLUE (16-14)	.1095/.1045	.31
YELLOW (12-10)	.151/.145	.38

TCPN :047011-000

THIS DRAWING IS A CONTROLLED DOCUMENT.		DWN J.ZULU 22OCT2020	<b>STE</b> TE Connectivity		
DIMENSIONS: INCHES		CHK M.GOWDA 22OCT2020			
TOLERANCES UNLESS OTHERWISE SPECIFIED:		APVD N.PRYZBYLSKA 22OCT2020	NAME AD-1522-1 CRIMP TOOL		
0 PLC ± -		PRODUCT SPEC -	APPLICATION SPEC -		
1 PLC ± 0.1		SIZE A3	CAGE CODE 06090	DRAWING NO C-AD-1522-1	RESTRICTED TO -
2 PLC ± 0.01		WEIGHT -	SCALE DNS SHEET 1 OF 1 REV C		
3 PLC ± 0.005		CUSTOMER DRAWING			
4 PLC ± -					
ANGLES ± 1°					
MATERIAL -					
FINISH -					