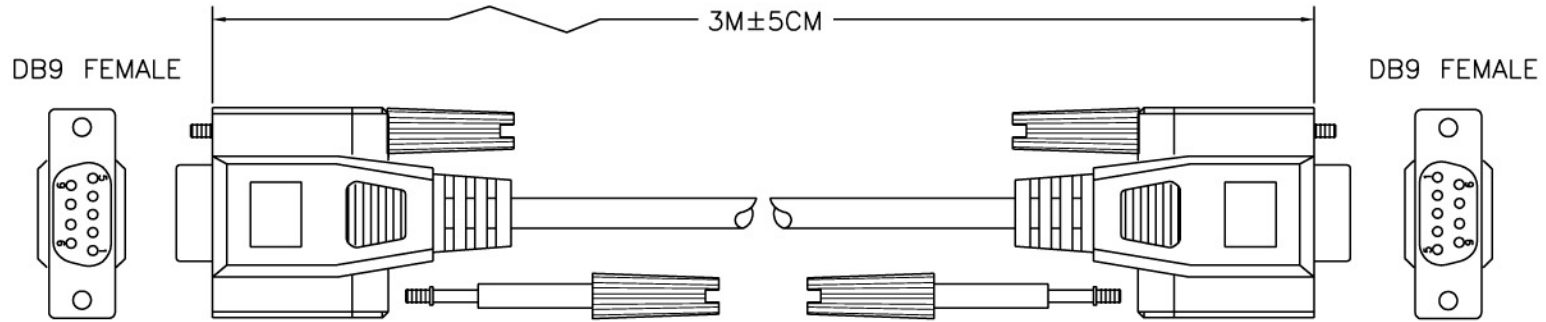


A B C D E F

DATE BY	REVISION
S.M./7.16	△



MAT'L:
 1.CABLE:#28 9C+1+AL/MY(BEIGE PVC JACKET) O.D:5.0MM
 2.BOTH CONNECTORS WITH NORMAL TYPE
 3.THUMBSCREW:#4-40UNC TYPE
 4.OUTTER MOLDED WITH BEIGE PVC
 NOTE:
 1.TOTAL LENGTH:3M±5CM
 2.COLOR:BEIGE
 3.MOLDED TYPE

CONFIGURATION:

DB9F		DB9F
1	—————	1
2	—————	2
3	—————	3
4	—————	4
5	—————	5
6	—————	6
7	—————	7
8	—————	8
9	—————	9
SHIELD	—————	SHIELD

△*MODIFY:DELETE NOTE.4. S.M./85.7.16
 *BUYER NO.:(AK182-3) & (AK182 3M) S.M./85.7.16

DATE	2 APR,1996	PARTS NO	CC006M1-02	TITLE: DB9 FEMALE-DB9 FEMALE (MD TYPE)	DRAWN	L.P. 4/2	CHECK	APPRO	
UNIT	MM	DRAWN NO	006M1-02		ASSMANN ELECTRONICS.INC				
SCALE		BUYER NO	002						