

D

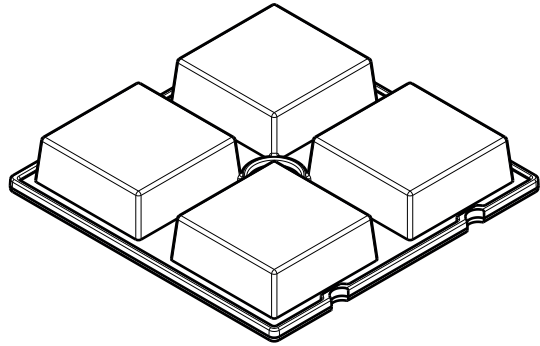
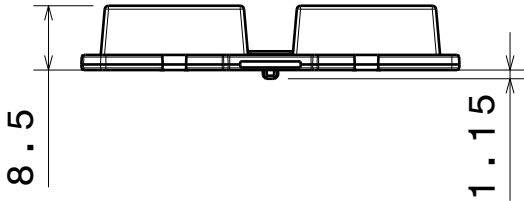
C

B

A

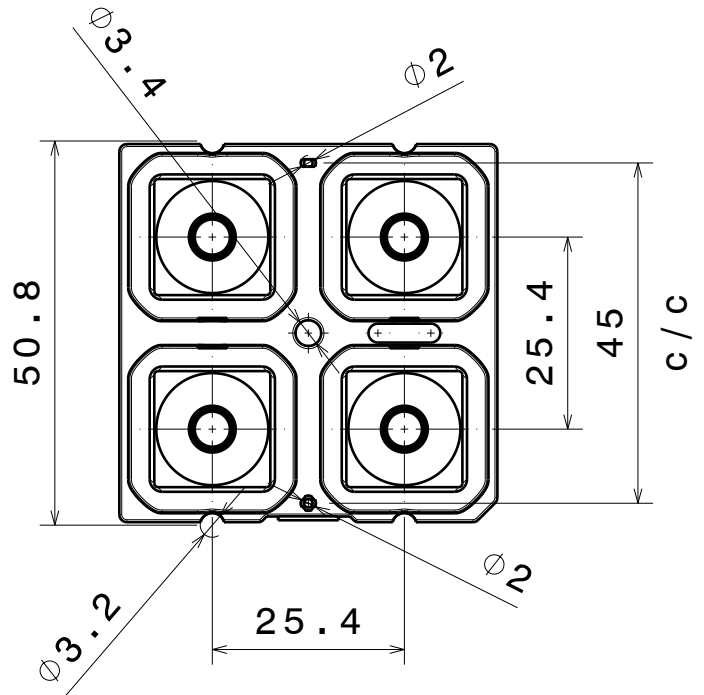
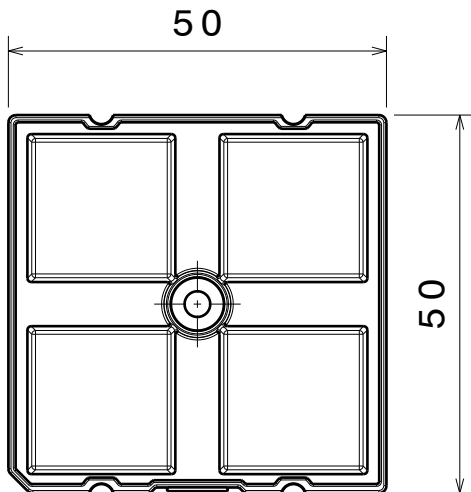
4

4



3

3



2

2

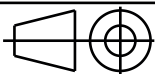
INDEX	PART NO	DESCRIPTION	MATERIAL	COLOUR
1	C13232	HB-2x2-WW	PMMA	

Plastic moulding general tolerances according to DIN 16901-130 and applies if not otherwise shown in the drawing. Silicone moulding general tolerances according to ISO 3302-1 Class M3 and applies if not otherwise shown in the drawing.

LEDiL

Ledil Oy  
Salorankatu 10  
FIN 24240 SALO  
Finland

THIRD ANGLE PROJECTION:



DRAWING TITLE

C13232\_HB-2x2-WW

This drawing is the property of LEDiL Oy. It may not be reproduced, copied or communicated without a written agreement with LEDiL Oy.

SIZE PART NUMBER

A4

C13232

SCALE	1:1	WEIGHT	10,8 g	SHEET	1/1
-------	-----	--------	--------	-------	-----

D

A

1

1