

CGA3E2NP02A182J080AA

TDK Item Description : CGA3E2NP02A182JT***



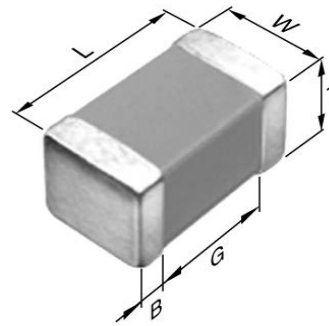
Equivalent C1608NP02A182J for Automotive

Application & Main Feature

Automotive Grade (High Temperature Application)

Series

CGA3(1608) [EIA 0603]



Dimensions

L	1.60mm ±0.10mm
W	0.80mm ±0.10mm
T	0.80mm ±0.10mm
B	0.20mm Min.
G	0.30mm Min.

Temperature Characteristic

NP0 (-55 to 150 degC 0+/-30ppm/degC)

Rated Voltage

2A(100Vdc)

Capacitance

1.8nF

Capacitance Tolerance

J (±5%)

Q Factor

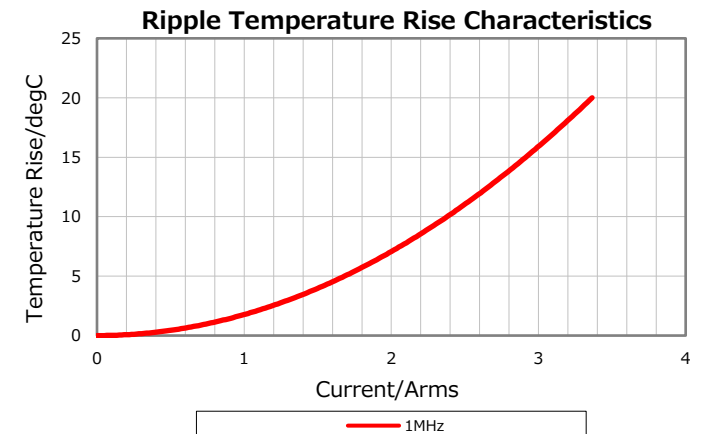
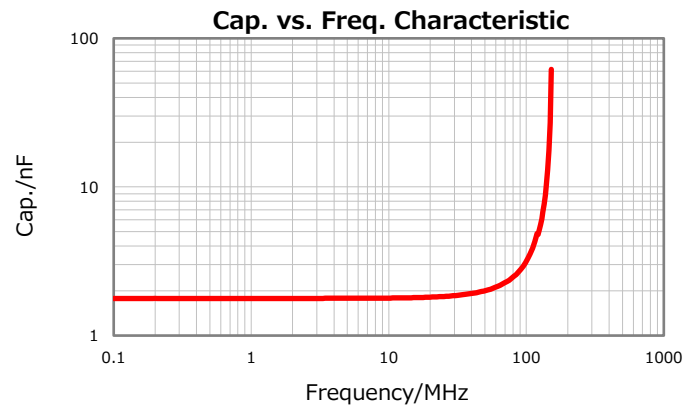
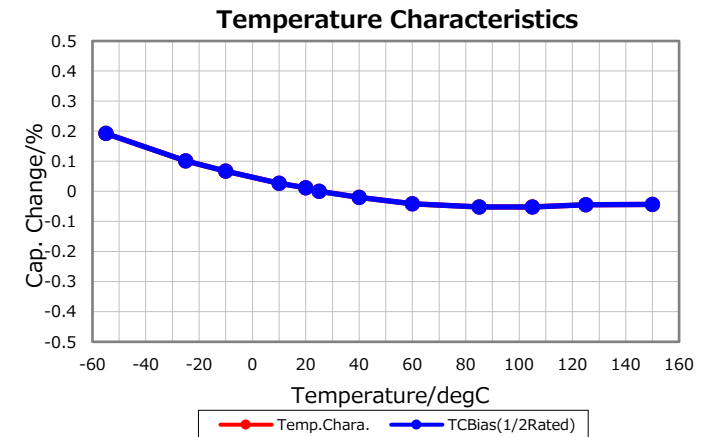
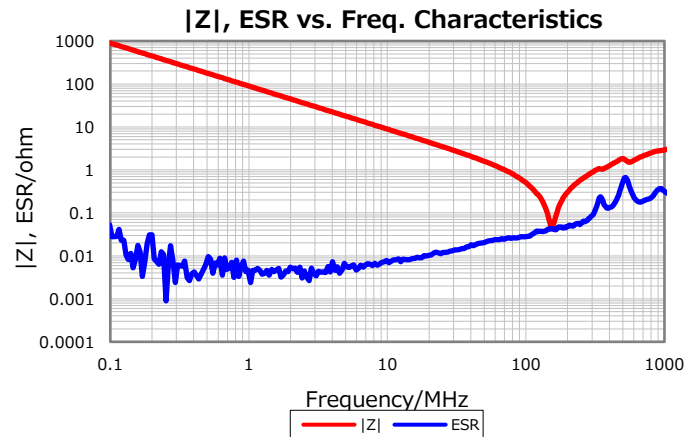
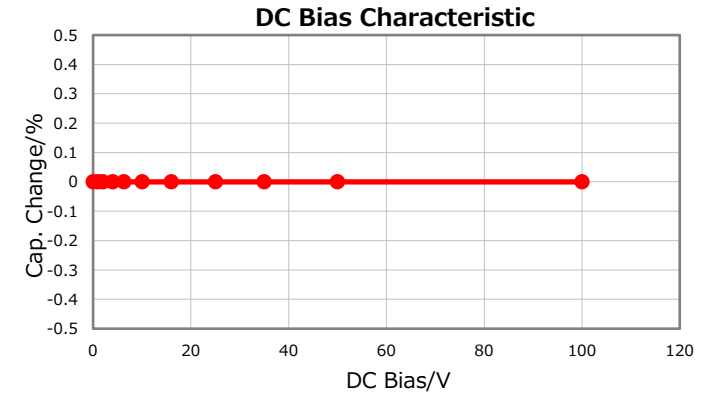
1000 Min.

Insulation Resistance

10Gohm Min

AEC-Q200

Yes



Characterization Sheet (Multilayer Ceramic Chip Capacitors)



All specifications are subject to change without notice.

July 2, 2019