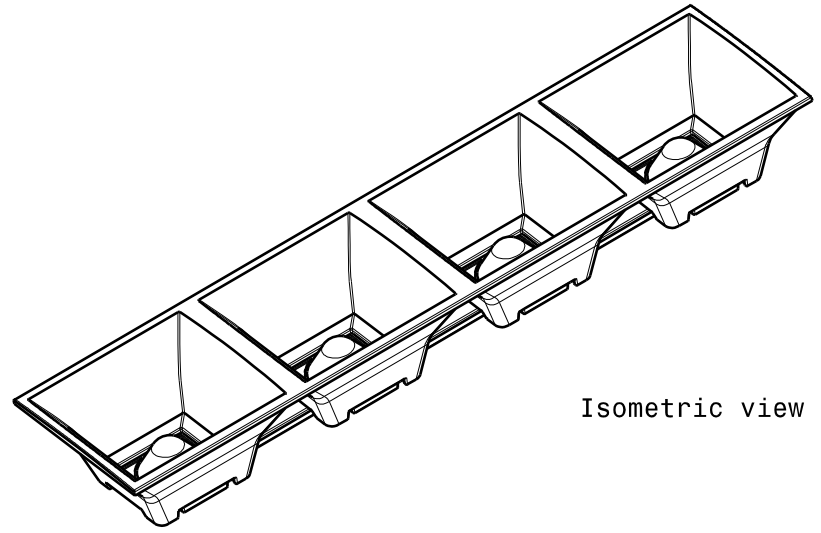
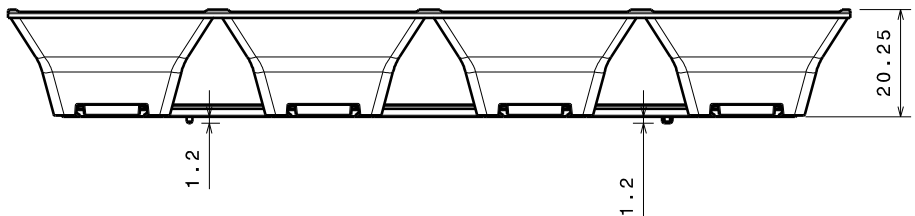


Bottom view

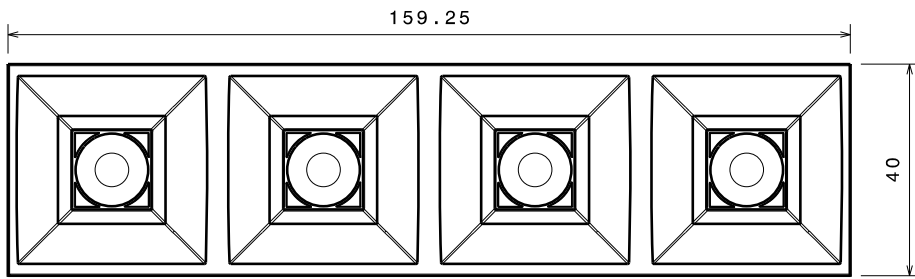


Isometric view

Front view



Left view



Top view

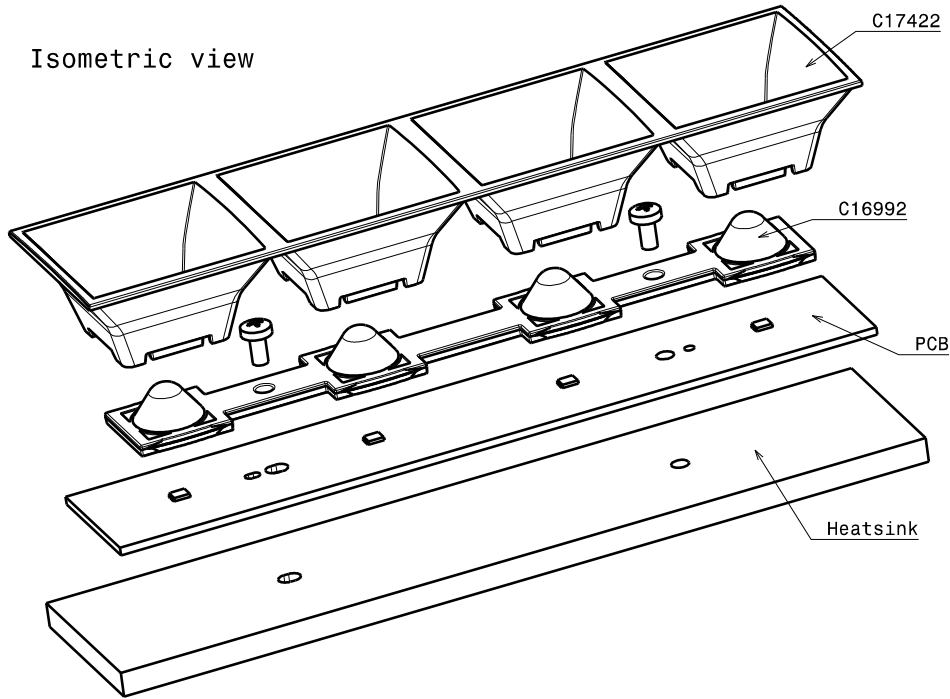
INDEX	PART	TYPE	MATERIAL	COLOR / COATING
1	C17422_DAISSY-4X1-SHD2-MATT	SHADE	PC	BLACK
2	C16992_DAISSY-4X1-W-D	LENS	PMMA	Semi-CLEAR

<b>MECHANICAL DRAWING</b>		<b>LEDiL<sup>®</sup></b>
PRODUCT <b>CN17429_DAISSY-4X1-W-MATT-D</b>		
Plastic moulding general tolerances according to DIN 16901-130 and applies if not otherwise shown in the drawing. Silicone moulding general tolerances according to ISO 3302-1 Class M3 and applies if not otherwise shown in the drawing.	FIRST ANGLE PROJECTION: 	This drawing is the property of LEDiL Oy. It may not be copied or otherwise distributed without prior written permission from LEDiL Oy.
SCALE 1:1	WEIGHT 27,918g	

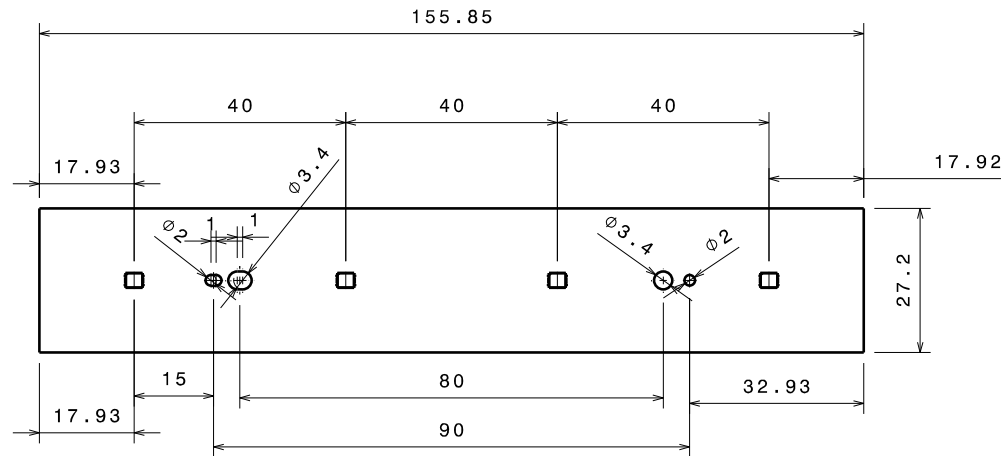
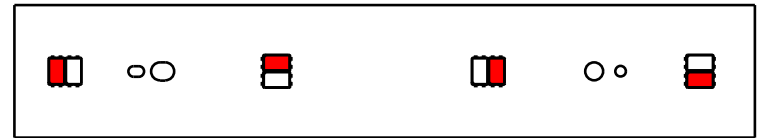
**Notes**

- PCB or heatsink level.
- LED location
- Ensure LED fitting from a product specific 3D model available from [www.ledil.com](http://www.ledil.com)
- For more details about installation please see LEDiL Installation Guide on [www.ledil.com](http://www.ledil.com)

Isometric view



Positioning of different LED combinations  
Recommended LED spacing in clusters is 0,2mm



INDEX	PART	TYPE	MATERIAL	COLOR / COATING
1	C17422_DAISSY-4X1-SHD2-MATT	SHADE	PC	BLACK
2	C16992_DAISSY-4X1-W-D	LENS	PMMA	Semi-CLEAR

Notes

Ensure LED fitting from a product specific 3D model available from [www.ledil.com](http://www.ledil.com)  
For more details about installation please see LEDiL Installation Guide on [www.ledil.com](http://www.ledil.com)

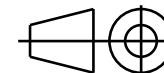
MECHANICAL DRAWING

PRODUCT  
CN17429\_DAISSY-4X1-W-MATT-D



Plastic moulding general tolerances according to DIN 16901-130 and applies if not otherwise shown in the drawing. Silicone moulding general tolerances according to ISO 3302-1 Class M3 and applies if not otherwise shown in the drawing.

FIRST ANGLE PROJECTION:



This drawing is the property of LEDiL Oy. It may not be copied or otherwise distributed without prior written permission from LEDiL Oy.

SCALE 1:1

WEIGHT 27,918g

A3 SHEET 1/1