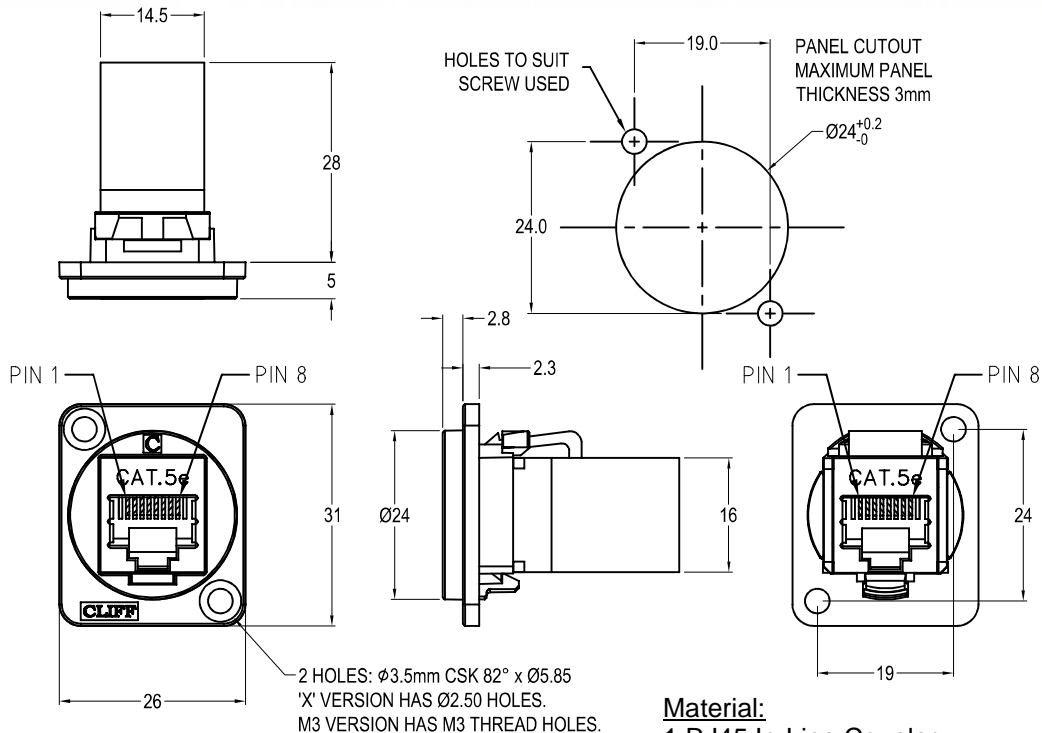


CLIFF

CAT5e RJ45 SHIELDED FEEDTHROUGH CONNECTOR



Feedthrough Features

- Fits standard XLR $\varnothing 24$ mm cutout.
- No soldering or punch termination. Use standard cable for each connector style.
- Front or rear mounted.
- Low rear profile

General:

Please note: Functionality is affected by cable quality, length and cable wiring configuration.

Other models available:

Part No.

CP30220S	Cat5e RJ45 Shielded Black plastic frame, CSK holes
CP30220SW	Cat5e RJ45 Shielded White plastic frame, CSK holes
CP30220SM	Cat5e RJ45 Shielded Nickel plated metal frame, CSK holes
CP30220SM3	Cat5e RJ45 Shielded Nickel plated metal frame, M3 holes
CP30220SMB	Cat5e RJ45 Shielded Black metal frame, CSK holes
CP30220SM3B	Cat5e RJ45 Shielded Black metal frame, M3 holes
CP30220SX	Cat5e RJ45 Shielded Black plastic frame, PLAIN holes
CP30220SXW	Cat5e RJ45 Shielded White plastic frame, PLAIN holes

Material:

1. RJ45 In-Line Coupler: PC/ABS, UL 94V-0
2. RJ45 In-Line Coupler Contact: Phosphor Bronze, 3-50 micro inches gold plating over nickel plate.
3. PCB: FR4, UL 94V-0
4. Plastic Frame: Polyamide UL94 V-2
5. Metal Frame: Diecast, Black or Nickel plated

Performance:

1. T568A & T568B wiring.
2. Meet ISO/IEC 11801 and EN50173
3. Meet ANSI/TIA/EIA 568B.2
4. Operating temperature: Min -10°C Max +70°C