

4

3

2

1

THIS DRAWING IS UNPUBLISHED.

RELEASED FOR PUBLICATION

20

LOC

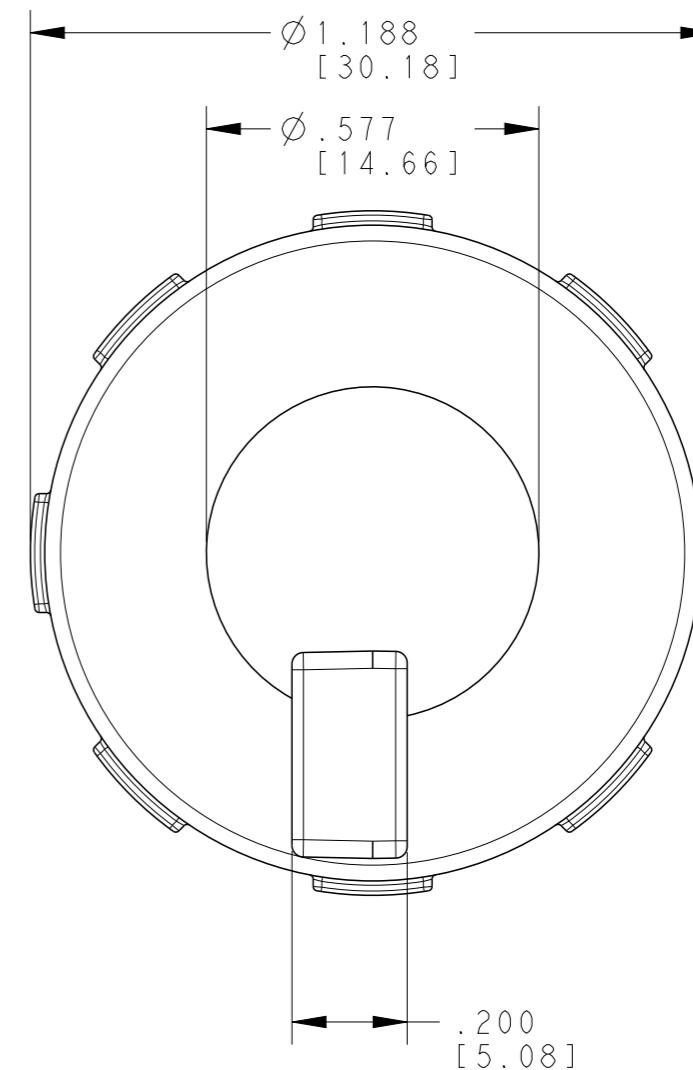
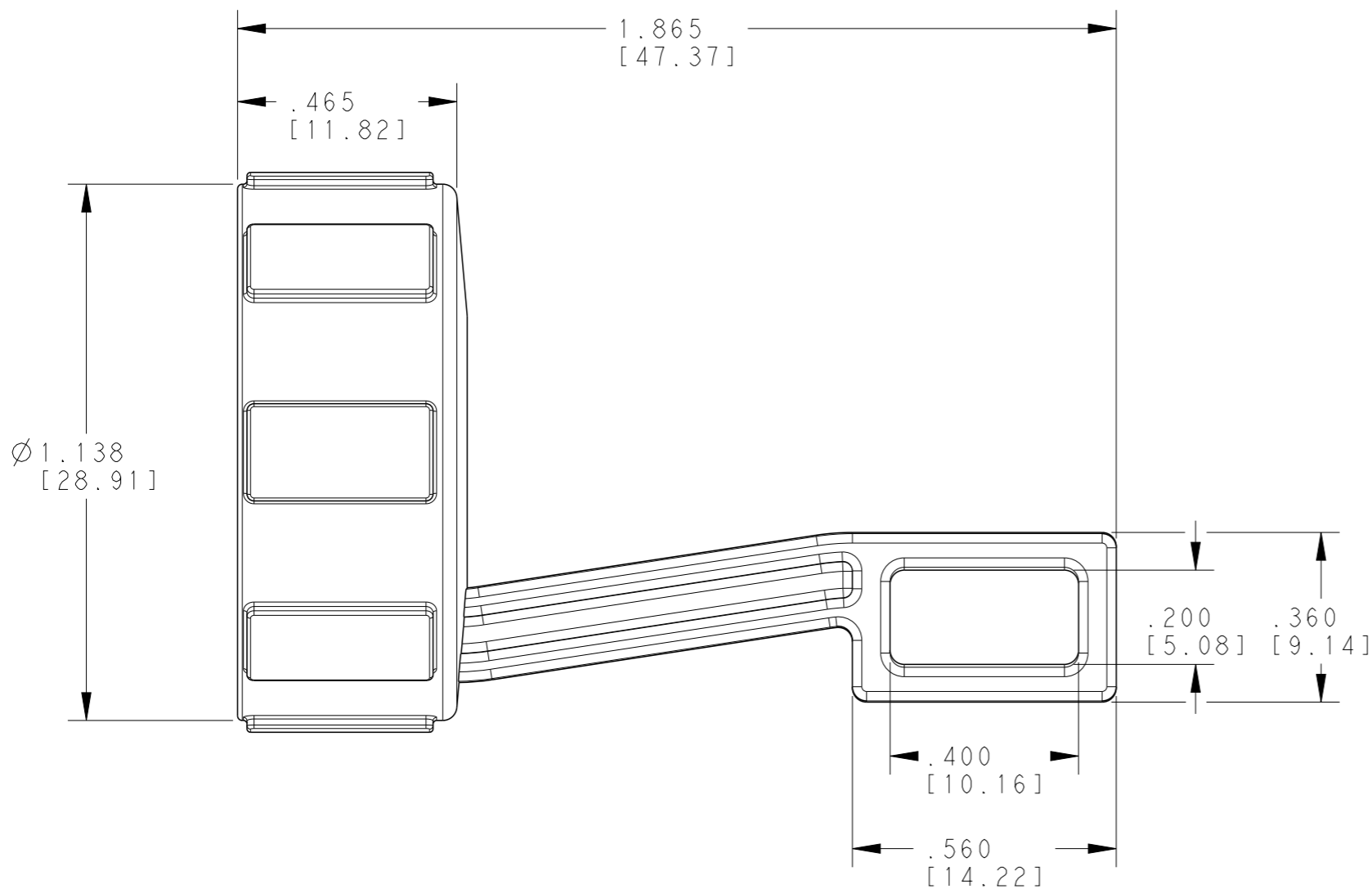
DIST

REVISIONS

© COPYRIGHT 20

ALL RIGHTS RESERVED.


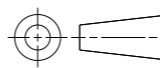
P	LTR	DESCRIPTION	DATE	DWN	APVD
	C	REDRAWN PER E.O. A13795	5-4-92	JN	JRA
	C1	REVISED PER ECO-13-019591	11-13-13	JA	IG
	C2	REVISED PER ECR-17-007391	22MAY2017	DD	DM



2. THIS BACK SHELL ACCEPTS: HD10-3-96PX, HD14-3-96PX, HD16-3-96SX
X = SEAL TYPE

1. MATERIAL: PLASTIC; COLOR: GRAY.

NOTES: UNLESS OTHERWISE SPECIFIED

THIS DRAWING IS A CONTROLLED DOCUMENT.		DWN 13NOV2013 JAIME C. APOSTOL		 TE Connectivity	
DIMENSIONS: INCHES [mm]		CHK 11-13-13 ILINA GRANTCHAROVA			
TOLERANCES UNLESS OTHERWISE SPECIFIED:		APVD 11-13-13 ILINA GRANTCHAROVA		NAME BACK SHELL SIZE 3 HD10 SERIES	
 0 PLC ± 1 PLC ± 2 PLC ± 3 PLC ±.025 [.64] 4 PLC ± ANGLES ±0°30'0"		PRODUCT SPEC		RESTRICTED TO	
MATERIAL		FINISH		SIZE CAGE CODE DRAWING NO A34AFU8 C-HD18-003	
		WEIGHT 5.70g		SCALE NONE SHEET 1 OF 1 REV C2	
		CUSTOMER DRAWING			