

# MGate™ EIP3000 Series

1 and 2-port EtherNet/IP-to-DF1 gateways



- PCCC objects for Rockwell Automation networks supported
- Use ProCOM to implement control via COM port mapping
- 8 simultaneous EtherNet/IP client/server pairs with up to 16 queued requests
- Serial redirector keeps the original serial master and slave connection while connecting devices to the Ethernet
- EtherNet/IP and DF1 protocol analyzer for easy troubleshooting
- Redundant dual DC power inputs
- Built-in Ethernet cascading for easy wiring
- -40 to 75°C wide operating temperature models available



## Overview

MGate™ EIP3000 gateways provide EtherNet/IP to DF1 protocol conversion for users who need to connect Allen Bradley PLCs to an EtherNet/IP network. With a number of innovative functions, the

MGate™ series overcomes the difficulties of connecting between legacy serial devices and SCADA software. Both 1 and 2-port gateways are available for use with different sized control networks.

## Protocol Conversion between DF1 and EtherNet/IP

By supporting PCCC objects on CIP, the MGate™ EIP3000 can communicate seamlessly with SCADA software such as RSLinx. For

users who develop control software based on EtherNet/IP, MGate EIP3000 offers the standard interface for connection.

## Support for Multiple EtherNet/IP Connections

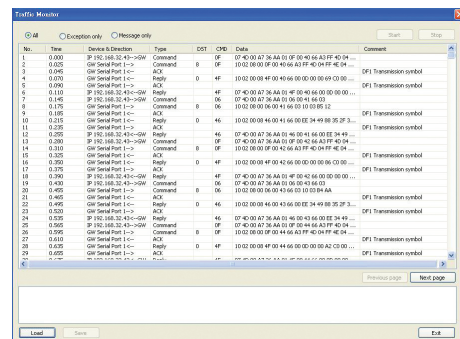
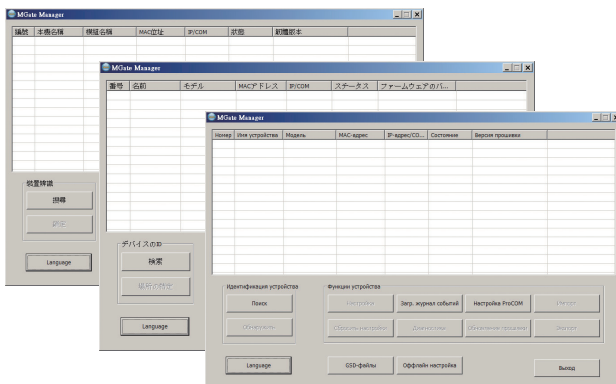
MGate™ EIP3000 gateways support up to 16 EtherNet/IP clients and servers simultaneously. Each client can send up to 16 requests

at a time, and the multiple connection capability can help establish redundancy for more complex control systems.

## Windows Utility for Easy Setup and Traffic Monitoring

Moxa provides a user-friendly Windows utility with multi-language support. The utility supports a traffic monitoring function for EtherNet/IP and DF1 protocols, and not only logs events initiated by

the gateway, but also records all commands and responses that pass through the gateway. The utility helps users determine the root cause of failures and performance bottlenecks.



## Serial Redirector Function Maintains Original Master/Slave Connections

The serial redirector function allows the commands of a serial master (command initiator) to be redirected to the serial slave (command executor) on another port. In addition, a serial master can operate simultaneously with EtherNet/IP masters without changing the DF1

architecture or software. With the serial redirector function, MGate™ EIP3000 gateways can establish redundant control of legacy slave devices that were originally designed to be controlled by a single serial master.

## ProCOM Implements Control via COM Port Mapping

Each MGate™ EIP3000 gateway supports virtual serial ports for the remote PC. You can connect to the MGate™ EIP3000 through the COM port by using Moxa's Real COM driver, with the actual physical

connection over the Ethernet. The gateway supports up to 4 virtual COM port connections and offers greater flexibility when designing redundant control systems.

## Pull high/low Resistors and Terminator Selection

When using termination resistors to prevent serial signal reflection, it is important to set the pull high/low resistors correctly so that the electrical signal is not corrupted. Since no set of resistor values is

universally compatible with all environments, the EIP3000 has DIP switches on the bottom panel for setting the termination and pull high/low resistor values.

## Built-in Isolation

Complex device networks that incorporate high amperage devices could be subject to electrical signal distortion from electrical

discharges, magnetic noise, or common mode transients. MGate™ series products solve this problem by using built-in optical isolation.

## Specifications

### Ethernet Interface

**Protocol:** CIP (PCCC) on EtherNet/IP

**Number of Ports:**

EIP3170/3170I: 2 (1 IP, Ethernet cascade)

EIP3270/3270I: 2 (2 IPs)

**Speed:** 10/100 Mbps, Auto MDI/MDIX

**Connector:** 8-pin RJ45

**Magnetic Isolation Protection:** 1.5 kV (built-in)

### Serial Interface

**Protocol:** DF1 Full-duplex

**Number of Ports:**

EIP3170/3170I: 1

EIP3270/3270I: 2

**Serial Standards:** RS-232/422, software selectable

**Connectors:**

EIP3170/3170I: DB9 male for RS-232, terminal block for RS-422

EIP3270/3270I: DB9 male x 2

**ESD Protection:** 15 kV for all signals

### Serial Communication Parameters

**Data Bits:** 8

**Stop Bits:** 1, 2

**Parity:** None, Even, Odd

**Flow Control:** RTS/CTS, DTR/DSR (RS-232 only)

**Baudrate:** 1200 bps to 921.6 kbps

### Serial Signals

**RS-232:** TxD, RxD, RTS, CTS, DTR, DSR, DCD, GND

**RS-422:** Tx+, Tx-, Rx+, Rx-, GND

### Software

**Utility:** MGate Manager for Windows 2000/XP/2003/Vista/Server 2008/7/8 (x86/x64), Windows Server 2008 R2/2012 (x64)

**Configuration Options:** Serial Console, Telnet Console, Windows Utility

**Support:** Smart Routing, Serial Redirection, ProCOM, MXview, SNMP v1 (read only)

### Physical Characteristics

**Housing:** Plastic

**Weight:**

MGate EIP3170: 360 g

MGate EIP3270: 380 g

### Dimensions:

Without ears: 29 x 89.2 x 118.5 mm (1.14 x 3.51 x 4.67 in)

With ears extended: 29 x 89.2 x 124.5 mm (1.14 x 3.51 x 4.90 in)

### Environmental Limits

**Operating Temperature:**

Standard Models: 0 to 60°C (32 to 140°F)

Wide Temp. Models: -40 to 75°C (-40 to 167°F)

**Storage Temperature:** -40 to 85°C (-40 to 185°F)

**Ambient Relative Humidity:** 5 to 95% (non-condensing)

**Altitude:** Up to 2000 m (795 hPa), higher altitudes on demand

**Note:** Please contact Moxa if you require products guaranteed to function properly at higher altitudes.

### Power Requirements

**Input Voltage:** 12 to 48 VDC

**Power Connector:** Terminal block

**Power Consumption:**

MGate M3170: 435 mA (max.)

MGate M3170I: 555 mA (max.)

MGate M3270: 435 mA (max.)

MGate M3270I: 510 mA (max.)

### Standards and Certifications

**Safety:** UL 508, EN 60950-1

**Hazardous Location:**

UL/cUL Class 1 Division 2 Groups A/B/C/D,

ATEX Zone 2 Ex nA IIC T3 Gc, IECEx (-IEX model only)

**EMC:** CE, FCC

**EMI:** EN 55022 Class A, FCC Part 15 Subpart B Class A

**EMS:**

EN 55024,

EN 61000-4-2 (ESD) Level 3,

EN 61000-4-3 (RS) Level 3,

EN 61000-4-4 (EFT) Level 4,

EN 61000-4-5 (Surge) Level 3,

EN 61000-4-6 (CS) Level 3,

EN 61000-4-8 (PFMF) Level 1,

EN 61000-4-11

**Shock:** IEC 60068-2-27

**Freefall:** IEC 60068-2-32

**Vibration:** IEC 60068-2-6

**Reliability**

**MTBF (mean time between failures):**  
 MGate EIP3170: 210,794 hrs  
 MGate EIP3270: 125,234 hrs

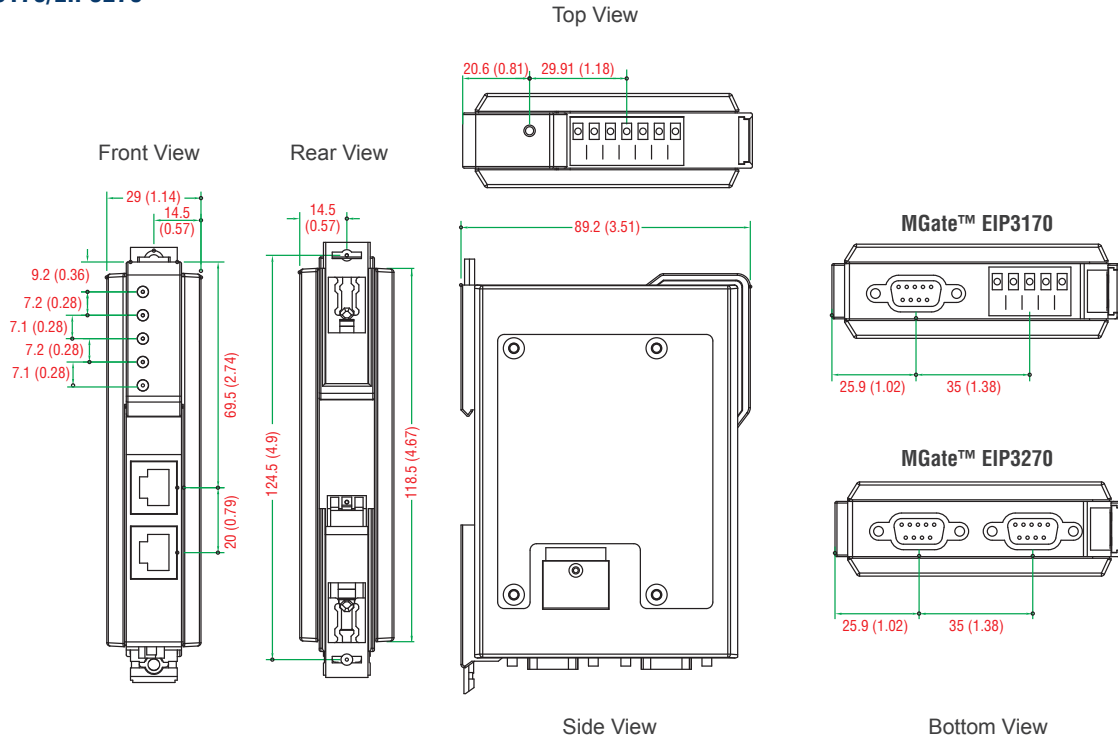
**Warranty**

**Warranty Period:** 5 years  
**Details:** See [www.moxa.com/warranty](http://www.moxa.com/warranty)

**Dimensions**

Unit: mm (inch)

**EIP3170/EIP3270**



**Ordering Information**

**Available Models**

- MGate EIP3170:** 1-port EtherNet/IP-to-DF1 gateway, 0 to 60°C operating temperature
- MGate EIP3170I:** 1-port EtherNet/IP-to-DF1 gateway with 2 kV isolation, 0 to 60°C operating temperature
- MGate EIP3270:** 2-port EtherNet/IP-to-DF1 gateway, 0 to 60°C operating temperature
- MGate EIP3270I:** 2-port EtherNet/IP-to-DF1 gateway with 2 kV isolation, 0 to 60°C operating temperature
- MGate EIP3170-T:** 1-port EtherNet/IP-to-DF1 gateway, -40 to 75°C operating temperature
- MGate EIP3170I-T:** 1-port EtherNet/IP-to-DF1 gateway with 2 kV isolation, -40 to 75°C operating temperature
- MGate EIP3270-T:** 2-port EtherNet/IP-to-DF1 gateway, -40 to 75°C operating temperature
- MGate EIP3170-IEEX:** 1-port EtherNet/IP-to-DF1 gateway, 0 to 60°C operating temperature, IECEx certification
- MGate EIP3170I-IEEX:** 1-port EtherNet/IP-to-DF1 gateway with 2 kV isolation, 0 to 60°C operating temperature, IECEx certification
- MGate EIP3270-IEEX:** 2-port EtherNet/IP-to-DF1 gateway, 0 to 60°C operating temperature, IECEx certification
- MGate EIP3270I-IEEX:** 2-port EtherNet/IP-to-DF1 gateway with 2 kV isolation, 0 to 60°C operating temperature, IECEx certification
- MGate EIP3170-T-IEEX:** 1-port EtherNet/IP-to-DF1 gateway, -40 to 75°C operating temperature, IECEx certification
- MGate EIP3170I-T-IEEX:** 1-port EtherNet/IP-to-DF1 gateway with 2 kV isolation, -40 to 75°C operating temperature, IECEx certification
- MGate EIP3270-T-IEEX:** 2-port EtherNet/IP-to-DF1 gateway, -40 to 75°C operating temperature, IECEx certification

**Optional Accessories** (can be purchased separately)

- MXview:** Moxa industrial network management software with 50, 100, 250, 500, 1000, or 2000 nodes
- DR-4524:** 45W/2A DIN-rail 24 VDC power supply with universal 85 to 264 VAC input
- DR-75-24:** 75W/3.2A DIN-rail 24 VDC power supply with universal 85 to 264 VAC input
- DR-120-24:** 120W/5A DIN-rail 24 VDC power supply with 88 to 132 VAC/176 to 264 VAC input by switch
- Mini DB9F-to-TB Adapter:** DB9 female to terminal block adapter

**Package Checklist**

- 1 MGate EIP3170 or EIP3170I or EIP3270 or EIP3270I EtherNet/IP gateway
- Documentation and software CD
- Quick installation guide (printed)
- Warranty card