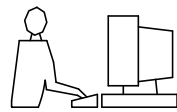


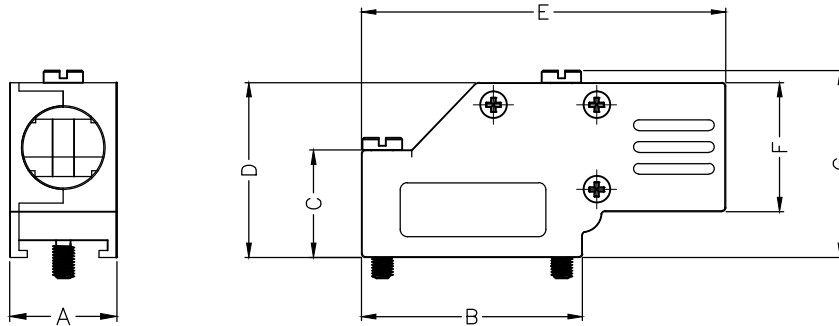
THIS IS A C.A.D. GENERATED DRAWING  
DO NOT MAKE MANUAL REVISIONS TO MASTER.



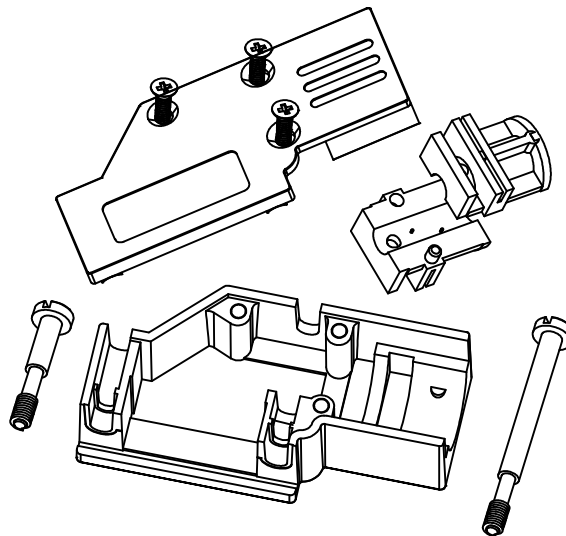
\* UNLESS OTHERWISE SPECIFIED TOLERANCES  
ON DECIMAL IS: ANGLE  $\pm 1^\circ$   
UNIT: MM .XX  $\pm 0.35$

**BACKSHELL KIT INCLUDES:**

- (2)BACKSHELL HALVES
- (3)HOUSING SCREWS
- (1)4-40 LONG THUMBSCREWS
- (1)4-40 SHORT THUMBSCREWS
- (1)SET OF COMPRESSION INSERTS-VARIOUS SIZES  
DIAMETERS 4mm(.157"), 5mm(.167"), 7mm(.276"), 9mm(.354")



DIMENSIONS(mm/in)							
SIZE	A $\pm 0.047$	B $\pm 0.047$	C $\pm 0.031$	D $\pm 0.031$	E $\pm 0.031$	F $\pm 0.031$	G $\pm 0.031$
9	15.0	30.8	15.0	24.4	50.8	18.0	26.2
	0.59	1.21	0.59	0.96	2.0	0.71	1.03
25	15.8	53.3	23.1	34.5	72.4	24.3	36.6
	0.62	2.10	0.91	1.36	2.85	0.96	1.44



**ORDERING INFORMATION:**

SIZE	P/N - KITTED	PRODUCT CODE
9-WAY	6560-0501-01	MHDCMR-09-RA-K
25-WAY	6560-0501-03	MHDCMR-25-RA-K

SIZE	P/N - KITTED	PRODUCT CODE
9-WAY	6561-0501-01	MHDCMR-09-RA
25-WAY	6561-0501-03	MHDCMR-25-RA

BACKSHELL: MATERIAL: DIE CAST ZINC ALLOY  
PLATING: NICKEL PLATED  
4-40 THUMBSCREWS: STEEL-Zn PLATED  
HOUSING SCREWS: STEEL-Zn PLATED  
COMPRESSION INSERT: ABS,UL RECOGNIZED  
OPERATING TEMP: -40°C TO+120°C

THESE DRAWINGS AND SPECIFICATIONS ARE THE PROPERTY OF MH CONNECTORS AND SHALL NOT BE REPRODUCED, COPIED OR USED AS THE BASIS FOR THE MANUFACTURE OR SALE OF APPARATUS WITHOUT WRITTEN PERMISSION.

DRAWN: JQHNNY  
DATE: 11-24-15

APPROVED: Victor Lin  
DATE: 11-24-15



THIS SERIES FULLY CONFORMS TO THE EUROPEAN UNION DIRECTIVES 2002/95/EC AND 2002/96/EC FOR RoHS COMPLIANCY.

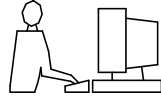


**MH CONNECTORS ,  
DIVISION OF EDAC**

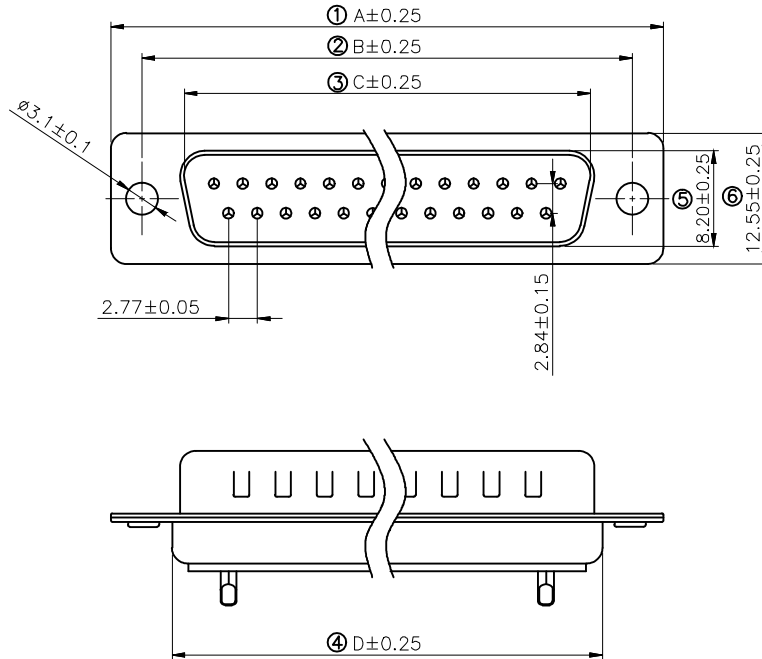
SCALE: 1 : 1  
SHEET OF: 1 OF 1  
REV: 4.0

DRAWING No: MHDCMR-XX-RA-K

THIS IS A C.A.D. GENERATED DRAWING  
DO NOT MAKE MANUAL REVISIONS TO MASTER.



\* UNLESS OTHERWISE SPECIFIED TOLERANCES  
ON DECIMAL IS: ANGLE  $\pm 1^\circ$   
.X  $\pm 0.15$   
.XX  $\pm 0.05$



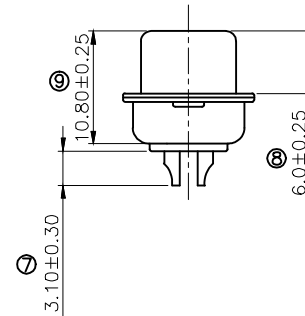
Remark:

1.SPECIFICATION:

Rated voltage:250V  
Rates current:5AMP  
Contact resistance:20M $\Omega$  MAX  
Insulation resistance:1000M $\Omega$  MIN.at 500V DC  
Withstand voltage:500V Per minute  
Temperature range:-55 -105 $^\circ$ C

2.MATERIAL:

Plastic:PBT+30% G.F (UL94V-0) BLACK  
Terminal:brass ,tin-gold plated  
Spcc shell:Spcc front shell is nickel plated back shell is nickel plated



PN	PIN	A	B	C	D
MHDB9SP	09	30.81	24.99	16.92	19.28
MHDB15SP	15	39.25	33.32	25.25	27.75
MHDB25SP	25	53.03	47.04	38.96	41.30
MHDB37SP	37	69.50	63.50	55.42	57.40

THESE DRAWINGS AND SPECIFICATIONS ARE THE PROPERTY OF MH CONNECTORS AND SHALL NOT BE REPRODUCED, COPIED OR USED AS THE BASIS FOR THE MANUFACTURE OR SALE OF APPARATUS WITHOUT WRITTEN PERMISSION.

DRAWN Iven Ou	DATE 08-31-22
APPROVED	DATE

SCALE 1 : 1	SHEET OF 1 OF 1	REV: 3.0
----------------	--------------------	-------------

DRAWING No  
MHDB SP



THIS SERIES FULLY CONFORMS TO THE EUROPEAN UNION DIRECTIVES 2002/95/EC AND 2002/96/EC FOR RoHS COMPLIANCY.



MH CONNECTORS,  
DIVISION OF EDAC