

Skywire[®] GPRS Embedded Cellular Modem Datasheet

NimbeLink Corp

Updated: October 2017



© NimbeLink Corp. 2017. All rights reserved.

NimbeLink Corp. provides this documentation in support of its products for the internal use of its current and prospective customers. The publication of this document does not create any other right or license in any party to use any content contained in or referred to in this document and any modification or redistribution of this document is not permitted.

While efforts are made to ensure accuracy, typographical and other errors may exist in this document. NimbeLink reserves the right to modify or discontinue its products and to modify this and any other product documentation at any time.

All NimbeLink products are sold subject to its published Terms and Conditions, subject to any separate terms agreed with its customers. No warranty of any type is extended by publication of this documentation, including, but not limited to, implied warranties of merchantability, fitness for a particular purpose and non-infringement.

NimbeLink is a registered trademark, and Skywire is a registered trademark, of NimbeLink Corp. All trademarks, service marks and similar designations referenced in this document are the property of their respective owners.

Table of Contents

Table of Contents	2
Introduction	3
Orderable Part Numbers	3
Additional Resources	3
Product Overview	3
Block Diagram	4
Technical Specifications	5
Electrical Specifications	5
Absolute Maximum Ratings	5
Recommended Ratings & Module Pin out	5
Connectors J1 and J2	5
Connector J3, X1	6
Mechanical Specifications	7
Mechanical Characteristics	7
Mating Connectors	7
Device Placement	7
Environmental Specifications	7
Important Design Considerations	8
ON_OFF Signal	8
Power Supply Requirements	8
Mounting Guidelines	9
Board to Board connectors approach	9
Solder to Board connection approach	10
Antenna Considerations	11
Antenna Requirements	11
Recommended Antennas	11
Certifications	12
Carrier Specific	12
Geography Specific	12
Federal Regulatory Licensing	12
End Product Labeling Requirements	12

1. Introduction

1.1 Orderable Part Numbers

Orderable Device	Operating Temperature		Network Type
NL-SW-GPRS	-40 to +85°C		GSM GPRS

1.2 Additional Resources

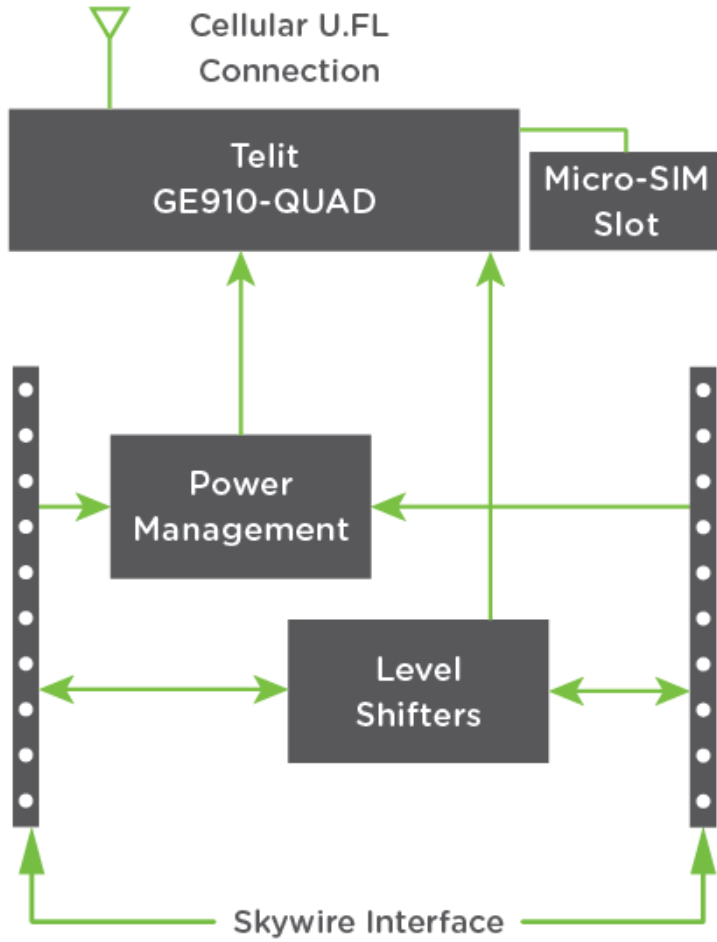
The following documents or documentation resources are referenced within this document.

- [Telit's GE910-QUAD V3 Hardware User Guide](#)

1.3 Product Overview

Add robust cellular connectivity to your M2M devices without the cost, delay, and hassle of federal and carrier certifications. Extensive experience in designing and building embedded product solutions makes the NimbeLink Skywire® embedded cellular modem the smallest on the market. It uses the popular Skywire interface and supports GSM GPRS communication, minimizing costs of hardware and network access. The module is designed for volume production and is intended for OEMs to embed into end equipment designs.

1.4 Block Diagram



2. Technical Specifications

2.1 Electrical Specifications

2.1.1 Absolute Maximum Ratings

Parameter	Signal	Maximum Rating
Main Power Supply	VCC	4.3V
I/O Voltage Reference	VREF	5.5V

2.1.2 Recommended Ratings & Module Pin out

2.1.2.1 Connectors J1 and J2

Pin	Name	Direction	Description	Min	Typical	Max	If not used
1	VCC	Input	Main Power supply	3.5V	3.9V	4.3V	Must be implemented
2	DOUT	Output	UART data out, I/O level tied to VREF	VOL: GND to 0.55V		VOH: VREF x 0.67 to VREF	Must be implemented
3	DIN	Input	UART data in, I/O level tied to VREF	VIL: GND to 0.15V		VIH: VREF-0.4 V to VREF	Must be implemented
4	GND	Input	Ground Pin		0		Must be implemented
5	RESET_nIN	Input	Controls HW_SHUTDOWN input on Telit GE910-QUAD, tie low for 200mS to activate. Internally pulled up to VCC. Drive with open collector output. Assert only in an emergency as the module will not gracefully exit the cellular network when asserted.		VREF		No connection
6	VUSB	Input	Supply for USB interface	4.4V	5V	5V	No connection
7	USB_D+	I/O	USB not supported by GE910-QUAD V3				No connection
8	USB_D-	I/O	USB not supported by GE910-QUAD V3				No connection
9	DTR	Input	Modem Data Terminal Ready input	VIL: GND to 0.15V		VIH: VREF-0.4 V to VREF	Tie to GND
10	GND	Input	Ground Pin		0		Must be implemented
11	GND	Input	Ground Pin		0		Must be implemented
12	CTS	Output	Modem Clear to Send hardware flow control output	VOL: GND to 0.55V		VOH: VREF x 0.67 to VREF	No connection

13	ON/nSLEEP	Output	Signal drives the onboard LED indicating network status. OFF = Device OFF, Fast blink = Searching for Network & Not Registered, Slow Blink = Registered with full service, Permanently on = call is active. See Telit GE910-QUAD manual for additional information.	0		1.8V	No connection
14	VREF	Input	Voltage reference for offboard I/O signals. This signal drives the input voltage side of an onboard buffer which converts all external I/O voltage from VREF range to 1.8V range to drive the onboard Telit GE910-QUAD modem module.	1.65V	1.8V or 3.3V	5.5V	Must be implemented
15	GND	Input	Ground Pin		0		Must be implemented
16	RTS	Input	Modem Request to Send hardware flow control input	VIL: GND to 0.15V		VIH: VREF-0.4 V to VREF	Tie to GND
17	DIO3	I/O	Programmable GPIO_03 on Telit GE910-QUAD module	0		1.8V	No connection
18	DIO2	I/O	Programmable GPIO_03 on Telit GE910-QUAD module	0		1.8V	No connection
19	ADC1	Input	ADC_IN1 input on Telit GE910-QUAD module (10 bit resolution, <1.3mV)	0		1.3V	No connection
20	ON_OFF	Input	Modem On/Off signal. Assert low for at least 5 seconds and then release to activate start sequence. Drive with open collector output. Internally pulled up to internal I/O rail with pull up. Do not use any external pull ups. Note: If you want modem to turn on automatically when power is applied, permanently tie this signal to GND.	0		1.8V	Must be implemented.

2.1.2.2 Connector J3, X1

Connector Designator	Description	Connector Location
J3	Micro SIM Connector	Bottom Side of Module
X1	Primary Antenna Connection	Topside of Module

2.2 Mechanical Specifications

2.2.1 Mechanical Characteristics

Parameter	Typical	Unit
Dimensions (excluding pin height, for solder to board applications)	29.0 x 33.60 x 6.63	mm
Dimensions (including pin height, for board to board connector applications)	29.0 x 33.60 x 10.73	mm
Weight	x	Grams
Connector Insertion/Removal	hundreds	Cycles

2.2.2 Mating Connectors

Connector Designator	Manufacturer	Populated on Module	Recommended Mate	Mate Manufacturer
J1, J2	3M	951110-2530-AR-PR	950510-6102-AR	3M
			Acceptable alternate: NPPN101BFCN-RC	Sullins Connector Solutions
J3	Molex	786463001	Micro SIM Card	Micro SIM Card
X1	Hirose	U.FL-R-SMT(10)	CAB.011	Taoglas

2.2.3 Device Placement

⚠ Make sure the Skywire is installed in the correct orientation; failure to do so will damage the device and void the warranty.

2.3 Environmental Specifications

Parameter	Min	Typical	Max	Unit	Note
Operating Temperature	-40	25	+85	°C	
Storage Temperature	-40	25	+85	°C	
Operating Humidity	20		90	%	Non-condensing

3. Important Design Considerations

3.1 ON_OFF Signal

To conserve power, the Telit GE910-QUADV3 does not automatically start up when power is applied. The baseboard design must supply a means to assert the ON_OFF signal for the specified time (at least 5 seconds) and then released to start-up the module. To make module automatically start when power is applied, tie ON/OFF signal to GND permanently. See Telit Hardware User Guide for additional details regarding the ON_OFF signal.

3.2 Power Supply Requirements

The module will regularly consume high amounts of current on the Main Power Supply (VCC), up to 330mA during active transmits and receives. The baseboard power supply should be designed to support peak currents up to 1 Amp. A 100uF capacitor should be placed near the VCC pin on the module to ensure ample energy is available, with a low inductance path to the VCC pin. For example power supply designs, there are multiple references available. See the NimbeLink Skywire Development Kit schematic for a switching regulator example, or reference the Telit Hardware User Guide which has an example of both Linear and Switching regulator designs.

3.3 Network Connection Status LED

The ON/nSLEEP signal on pin 13 drives the on-board LED indicating network status. By default, the 2G GPRS module has this setting disabled. Use the following commands to enable and save this feature.

First, configure the GPIO for alternate function:

```
AT#GPIO = 1,0,1
```

The modem should respond with:

```
OK
```

Next, set the desired LED behavior with this command:

```
AT#SLED=2,10,10
```

The modem should respond with:

```
OK
```

Finally, commit the changes to non-volatile memory so the setting will persist across power down/power up:

```
AT#SLEDSAV
```

The modem should respond with:

```
OK
```


LED Status	Network Status Indication
Permanently OFF	Device OFF or setting disabled (see above)
Fast Blinking	Searching for Network & Not Registered
Slow Blinking	Registered with full service
Permanently ON	Call is active

4. Mounting Guidelines

The Skywire embedded cellular modem supports multiple connection methods, the two primary methods are board to board connectors and soldering directly to the baseboard.

4.1 Board to Board connectors approach

The Skywire interface calls for two, 10 pin, 2mm pitch female receptacles.

There are many connector manufacturers that can be used; below is one readily available product:

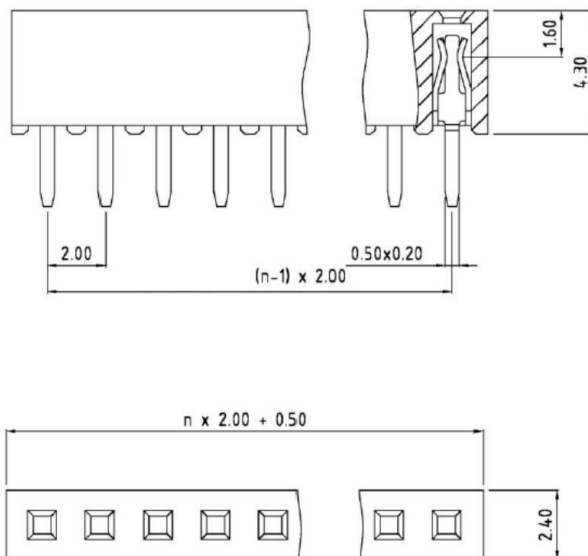
Manufacturer: 3M

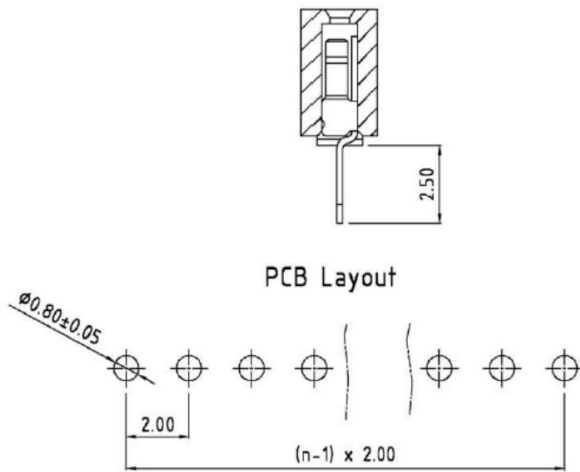
Alternate: Sullins Connector Solutions

Part Number: 950510-6102-AR

Alternate P/N: NPPN101BFCN-RC

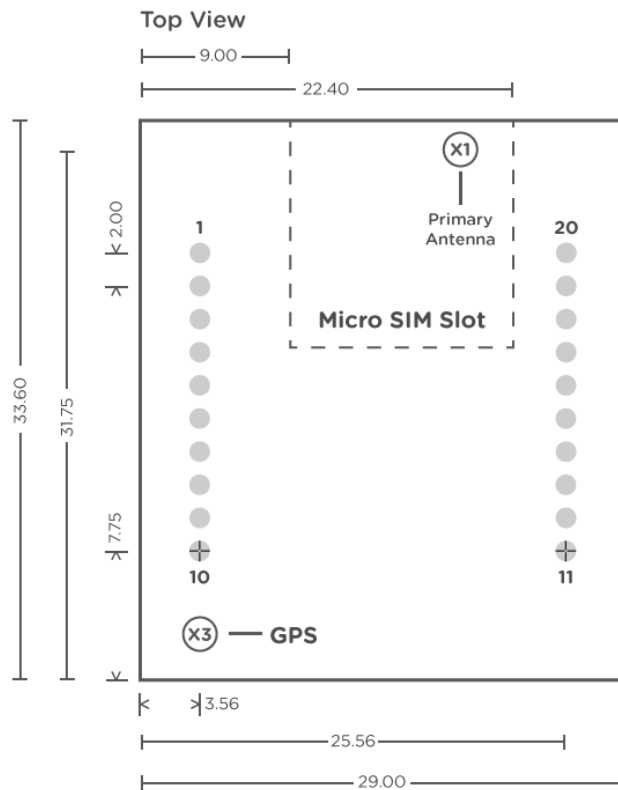
Typical part drawing and footprint information:





4.2 Solder to Board connection approach

The module can be soldered directly to a PCB. The PCB should be designed with two rows of ten, 0.8mm plated thru holes spaced 2mm apart. The two rows should be 22mm apart. See drawing for recommended footprint. Measurements are in millimeters. U.FL locations are marked with circles, X1 and X2 on top side of board, X3 on bottom side of board.



5. Antenna Considerations

5.1 Antenna Requirements

Designers should review latest GE910 Hardware User Guide to ensure the information is up to date.

Parameter	Signal
Type	850/900/1800/1900Mhz
Bandwidth in GSM850	70Mhz
Bandwidth in GSM900	80Mhz
Bandwidth in DCS1800	170Mhz
Bandwidth in PCS1900	140Mhz
Max Gain in GSM850	6.43dBi
Max Gain in PCS1900	2.75dBi
Impedance	50 Ohm
Input Power (Average Power)	>2 W
VSWR recommended	<2:1

5.2 Recommended Antennas

Type	Manufacturer	Part Number
Primary	Taoglas ¹	TG.30.8113
Primary	MobileMark	PSKN3-900/1900S

For applications not using the recommended antennas, developers must ensure that the selected antenna(s) meet certain requirements. In order to maintain FCC and carrier specific certifications the antennas cannot exceed the maximum gain levels listed here:

Frequency	Max Gain (dBi)
700 MHz Band	10.41 dBi
1700 MHz Band	6.5 dBi

6. Certifications

6.1 Carrier Specific

Each carrier has different requirements for activating the GE910-QUAD V3 modem on their networks. Many accept the Telit PTCRB certification to allow device on the network, however, recent carrier preferences may require the end product to go through PTCRB certification in the final enclosure, antenna, and software configuration.

6.2 Geography Specific

Federal Communications Commission (FCC47) part 22, 24

Complies with FCC47 Part 15 Class B Radiated and Conducted Emissions

7. Federal Regulatory Licensing

7.1 Export Control Classification Number (ECCN)

ECCNs are five character alpha-numeric designations used on the Commerce Control List (CCL) to identify dual-use items for export control purposes. An ECCN categorizes items based on the nature of the product, i.e. type of commodity, software, or technology and its respective technical parameters.

NL-SW-GPRS (and all Skywire Modems): 5A992.c

7.2 Harmonized Tariff Schedule Code

HTS Code: 8517.62.0010

8. End Product Labeling Requirements

Device Uses Approved Radio: NL-SW-GPRS

Contains FCC ID: RI7GE910Q3 and IC ID: 5131A-GE910Q3

This device complies with Part 15 of the FCC Rules. Operation is subject to the following two conditions: (1) This device may not cause harmful interferences, and (2) this device must accept any interference received, including interference that may cause undesired operation.