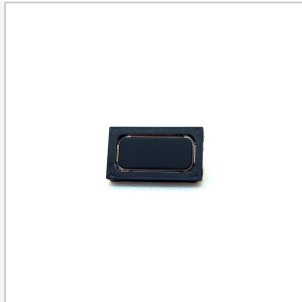


OWS-091630LA-8B

Small rectangular speaker

Optimized to play in cavities about 1cc.
Available with leaf spring.

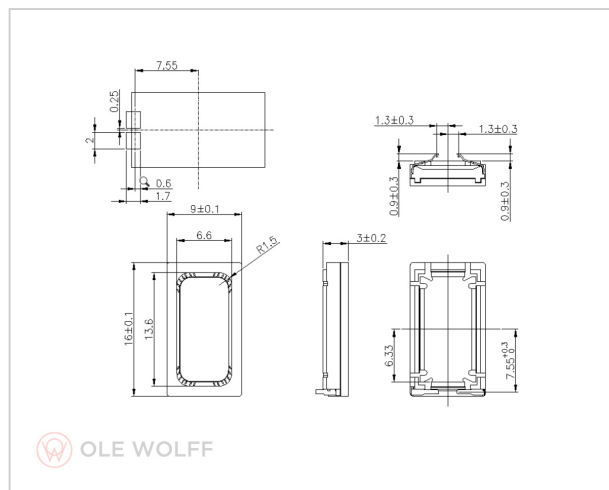


Characteristics

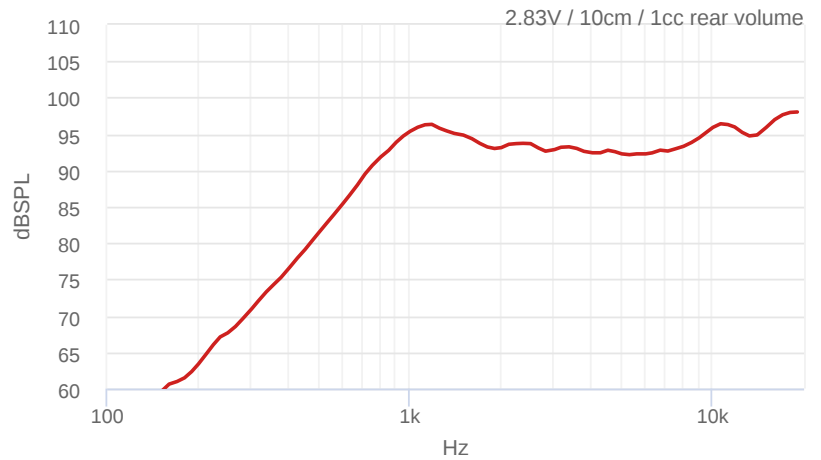
Size (LxWxH) [mm]	16.0x9.0x3.0	
Sensitivity [dBSPL]	75.0±3 dB	1W/1m, 1cc rv
Impedance [Ω]	8	
Power [W]	1.0 / 1.2	nom / max, in 1cc
F0 [Hz]	950	(in 1cc)
Termination	Spring contacts	

Specifications are subject to change without prior notice.
Upon request Ole Wolff can supply further specifications, simulation parameters etc.

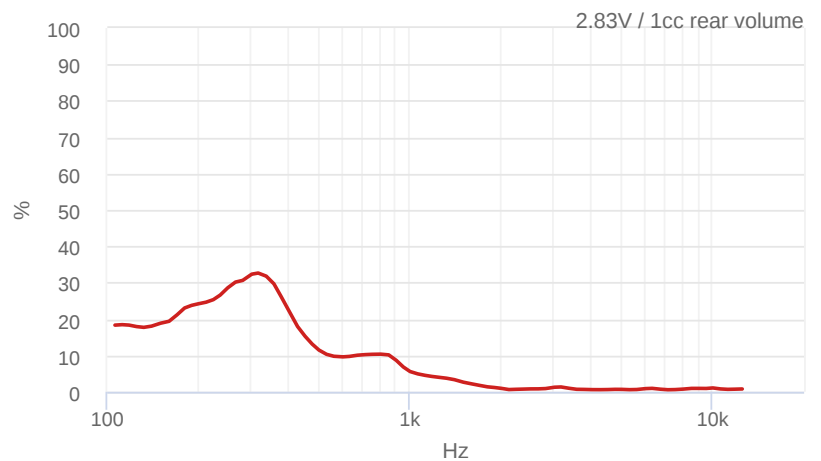
Mecanical drawing



Sound Pressure Level



Total Harmonic Distortion



Impedance

