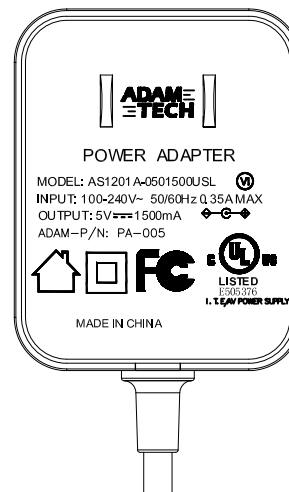
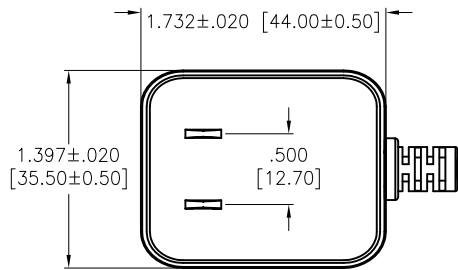
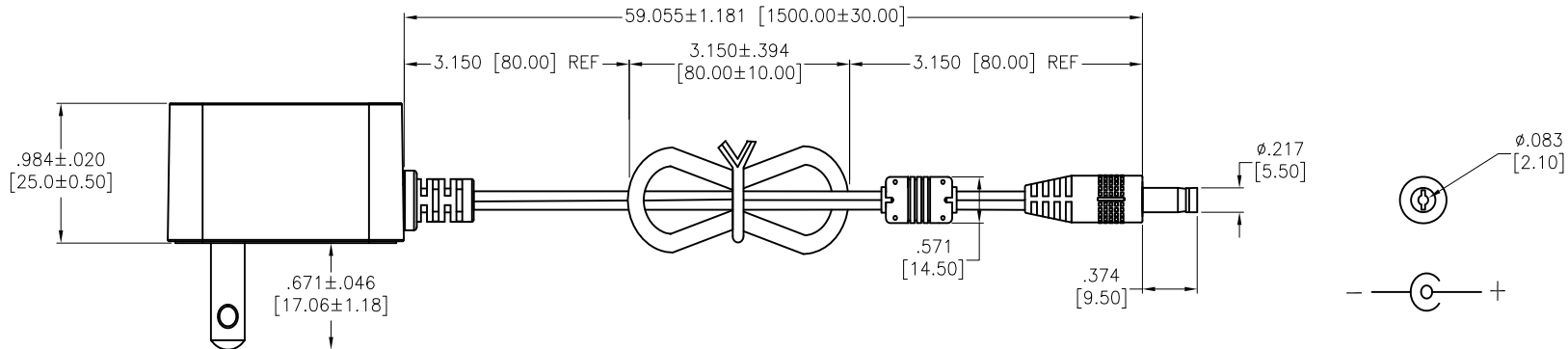


APPROVED: _____
 DATE: _____ TITLE: _____

Rev	AWO #	Description	Date	Appr
-		RELEASED	3/19/21	
A		ADDED TOLERANCE	6/10/21	WX/AC



SPECIFICATIONS:

Connector

P1: Power Adapter, NEMA 1-15P

P2: DC Plug, W/Strain Relief, 5.5*2.1*9.5mm
 Overmold Color: Black PVC-65P

CABLE:

UL2468: 20AWG (26*0.16)*2C 80°C 300V VW-1, O.D: 3.5mm, Jacket Color: Black

Electrical:

Input:

Voltage: 100Vac to 240Vac

Current: 0.35A Max. @ 100Vac input & max load

Frequency: 60Hz / 50Hz

Output:

Voltage: 5.0Vdc

Current: 1.5A max.

Load Regulation: ±5%

Line Regulation: ±3%

Insulation Resistance: 10 Mohms min @ 500VDC

Dielectric withstanding voltage (Hi-pot): 3,000V AC For 1 Minute

Leakage Current: 0.25mA max. @ 230V AC/50Hz

Temperature Rating:

Operating Temperature: 0°C to +40°C

Storage Temperature: -40°C to +70°C

Environmental:

Lead free, RoHS compliant.



UNLESS OTHERWISE SPECIFIED
 ALL DIMENSIONS ARE INCHES [MM]
 TOLERANCES: EXCEPT AS NOTED
 INCHES HOLES
 .X ±.10 Ø.X ±.10
 .XX ±.020 Ø.XX ±.015
 .XXX ±.015 Ø.XXX ±.010

APPROVALS		DATE
DRAWN	WX	3/19/21
CHECKED	AC	3/19/21
APPROVED		

**ADAM
 TECH**

909 Rahway Avenue,
 Union, NJ 07083
 Phone: 908-687-5000
 Fax: 908-687-5710

TITLE
**POWER ADAPTER, NEMA 1-15 TO 2.1 X 5.5 X 9.5
 DC PLUG, 5 VOLT, 1.5 AMP, UL2468 20AWG**

SIZE	PART NO.	REV.
X	PA-005	A

REF: _____ SCALE: NTS SHEET 1 OF 1