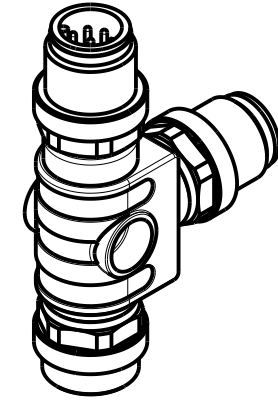
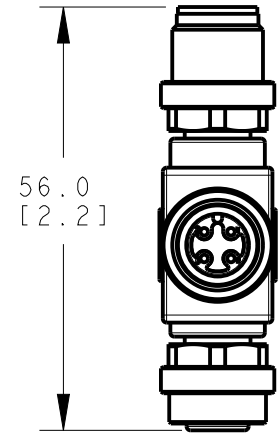
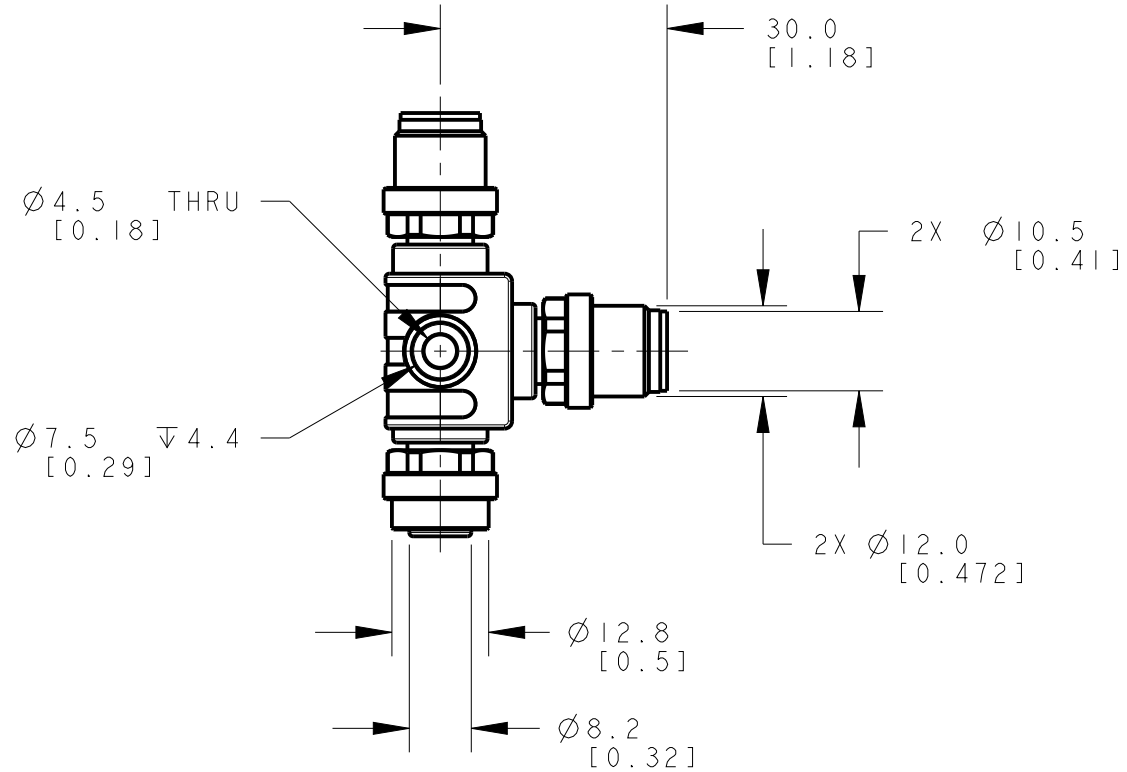
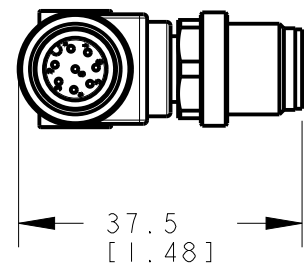
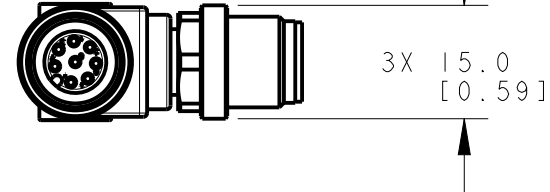


8 7 6 5 4 3 2 1

D C B A



ISOMETRIC VIEW:
SCALE 1:1

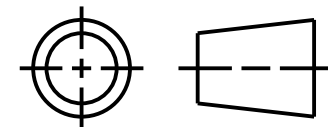


This drawing is the property of BANNER ENGINEERING CORP. Any use or reproduction, in any form, without prior written permission of Banner is prohibited. © 2015 Banner Engineering Corp.



BANNER ENGINEERING CORP.
www.bannerengineering.com

THIRD ANGLE PROJECTION



TITLE
SI-RFA-TK

SIZE B DRAWING NO. **209639** REV. **A**

SCALE 1:1 SHEET 1 OF 1

NOTES:
1. ALL DIMENSIONS ARE MILLIMETERS [INCHES] UNLESS OTHERWISE NOTED.
2. REFER TO "www.bannerengineering.com" FOR ADDITIONAL DATA AND SPECIFICATIONS.

8 7 6 5 4 3 2 1 CREO