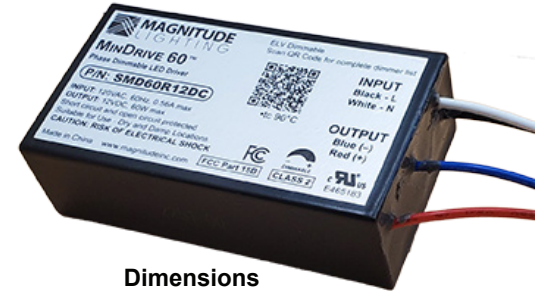


MINDRIVE 60™

Mini Constant Voltage LED Driver

Specification Sheet

- Mini Electronic Class 2 LED Driver
- Phase Dimmable with ELV, CL and Caseta
- Meets FCC Requirements for Consumer Usage
- Low Minimum Load
- 90% Efficiency for Low Operating Temperature



Dimensions
2.9" x 1.6" x 0.9"



CLASS 2
12 / 24VDC
100 - 130V

Product Name: MINDRIVE 60™
Description: Constant Voltage Dimmable LED Driver
Installation: UL-Rated Wire Leads
Driver Type: Class 2
Dimming: Phase Dimmable
Input Voltage: 100VAC - 130VAC, 60Hz
Output Voltage: 12 or 24VDC
Environmental: Dry and Damp
Wattage: 60W
IP Rating: IP20
Listing: UL Recognized
Certifications: UL8750, FCC Part 15 Class B
Warranty: 5-Year

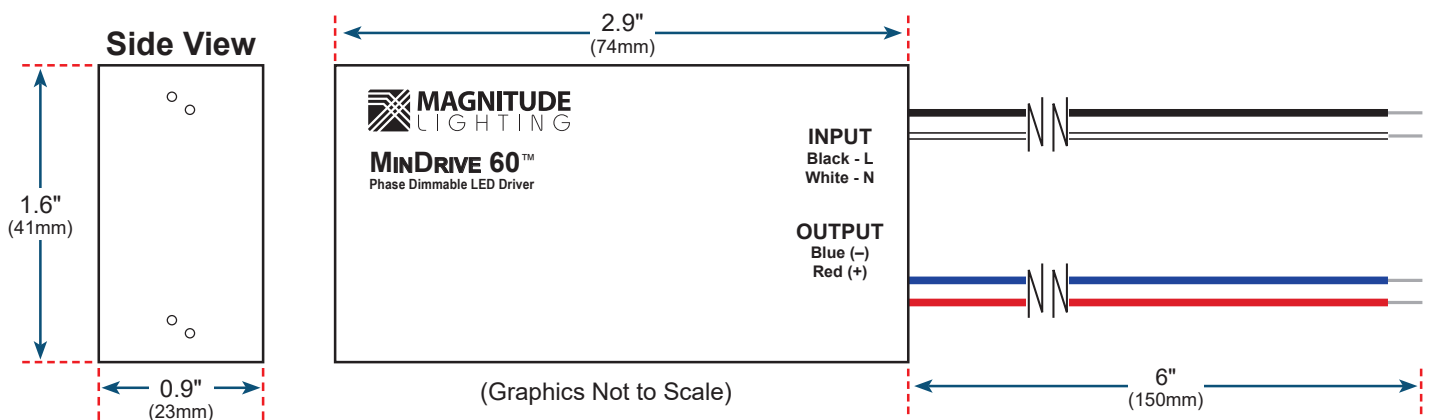
ORDERING GUIDE

Type	Max Power	Listing	Output
SMD – MINDRIVE 60™ SERIES	60 – 60W	R – UL Recognized	12 – 12VDC 24 – 24VDC

PRODUCT SIZE

Width	2.9" (74mm)
Height	1.6" (41mm)
Depth	0.9" (23mm)

MECHANICAL DIAGRAM

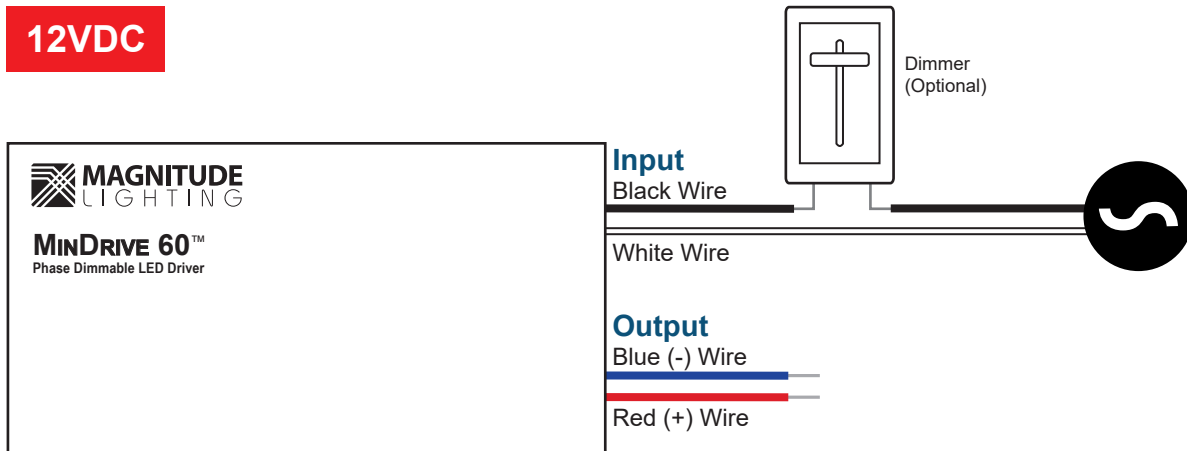


SPECIFICATIONS

Input	
Input Voltage Range	100 to 130VAC
Input Frequency	60Hz
Input Current	0.56A @ 120VAC (12VDC) 0.56A @ 120VAC (24VDC)
Efficiency	>90% (12VDC) >90% (24VDC)
Power Factor	>.90
Output	
Maximum Load	60W
Minimum Load Without Dimmer	1W
Minimum Load Using Dimmer	5W
Output Voltage@Max Load	12.0 VDC 24.0 VDC
Output Current@Max Load	5A (12VDC) 2.5A (24VDC)
Environmental	
Ambient Operating Temp.	-30°C to +40°C (-22°F to 104°F)
Protection	
Over Current Protection	Yes
Short Circuit Protection	Yes
Mechanical Housing	
Wire Leads	18 AWG, UL 1316 Rated
Width	2.9" (74mm)
Height	1.6" (41mm)
Depth	0.9" (23mm)
Housing Color	Black
Approval Markings	
Certificates/Approval Signs	UL Recognized

WIRING DIAGRAMS

12VDC



24VDC

