

PLUG

M	3	M		
J	2	J		
M	1	MI		
MFG.	SH.	REV.	LTR.	REVISIONS
				ADD RAMP LENGTH ECN #U4 0293 3-1-94 RW
				REVISED PER ECR # U90659 KBW 07-25-89 RW
				ADDED STANDOFFS PER ECR U8 2271 GEP 11-30-88 RW
				REV. & FINAL REL. ECR U8 1710 GEP 7-14-88 RW
				REVISED & REDRAWN PER ECR U8 0122 2-2-88 SCHAFFER

DIMENSIONS SHOWN (METRIC) INCH	
UNLESS OTHERWISE SPECIFIED TOLERANCES: ANGULAR ± 10°	
3 PLACE	± .010 ---
2 PLACE	± .014 ± 0.25
1 PLACE	--- ± 0.36
DRAFT WHERE APPLICABLE MUST REMAIN WITHIN DIMENSIONS	

▽ = 0 ▼ = 0 REVISE ONLY ON CAD SYSTEM

TITLE
 .093/(2.36) HOUSING
 PLUG AND RECEPTACLE
 6 CKT. .264/(6.70) CTRS.

MOLEX INCORPORATED SHEET NO. DATE
 LISLE, ILL. 60532 U.S.A. 1 OF 3 1/25/88

PART NO. DRWG. NO.
 SEE CHART SD-3191-6*

DRWG. BY: JUS	CHK'D. BY: RW	FILE NAME: S31916X1 DGN	THIS DRAWING CONTAINS INFORMATION THAT IS PROPRIETARY TO MOLEX INC. AND SHOULD NOT BE USED WITHOUT WRITTEN PERMISSION.
APP'D. BY: RAS	SCALE: 2 : 1	DIV. CP	SIZE C

PLUG	
PART NO.	ENG. NO.
19-09-2068	3191-6P
19-09-2069	3191-6P1
19-09-2067	3191-6P-201
19-09-2066	3191-6P1-201
19-09-7069	3191-6PRD
19-09-7068	3191-6PBK

RECEPTACLE	
PART NO.	ENG. NO.
19-09-1069	3191-6R1
19-09-1066	3191-6R1-201
19-09-6060	3191-6RIRD
19-09-6069	3191-6RIBK

LEGEND:

3191-6****-*

CIRCUIT SIZE

P = PLUG

R = RECEPTACLE

EARS: BLANK = WITH PREBENT EARS (PLUG ONLY)

I = WITHOUT EARS

COLOR: BLANK = NATURAL COLOR

AM=AMBER BK=BLACK BU=BLUE

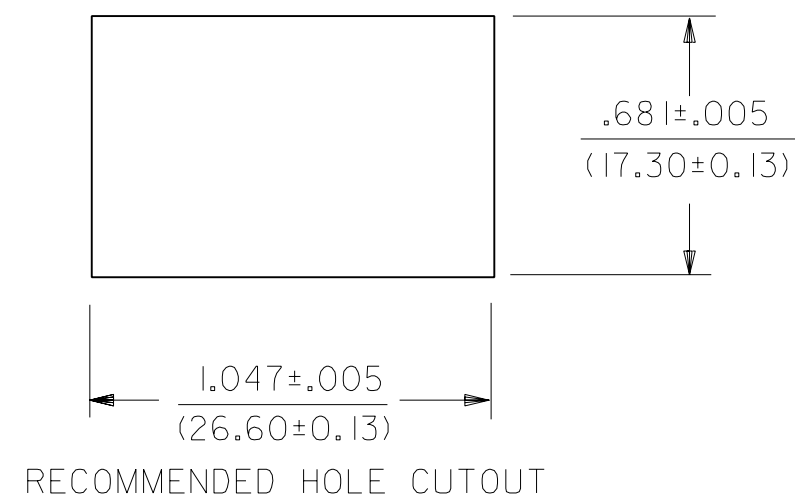
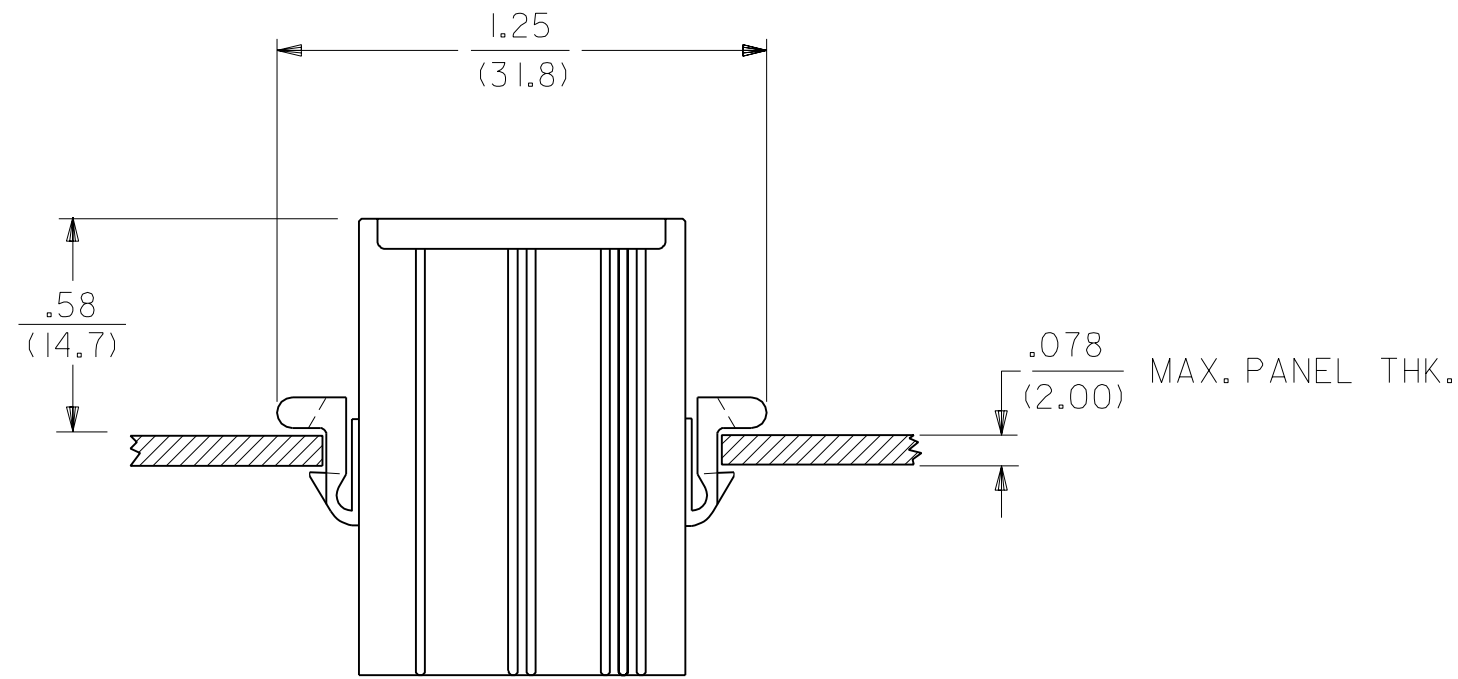
BN=BROWN GY=GRAY GN=GREEN

OR=ORANGE RD=RED YW=YELLOW

COLORS AVAILABLE ONLY IN 94V-2 MATERIAL

MATERIAL: BLANK=NYLON TYPE 6/6, 94V-2

201=NYLON TYPE 6/6, 94V-0



MOUNTING HOLE DETAIL

LTR.	REVISIONS	LTR.	REVISIONS

DIMENSIONS SHOWN (METRIC) INCH	
UNLESS OTHERWISE SPECIFIED TOLERANCES: ANGULAR ± 10°	
3 PLACE	± .010 ---
2 PLACE	± .014 ± 0.25
1 PLACE	--- ± 0.36
DRAFT WHERE APPLICABLE MUST REMAIN WITHIN DIMENSIONS	
DRWG. BY: JJS	CHK'D. BY: RW
APP'D. BY: RAS	SCALE: --- : ---

TITLE		REVISE ONLY ON CAD SYSTEM	
.093/(2.36) HOUSINGS PLUG AND RECEPTACLE 6 CKT., .264/(6.70) CTRS.			
MOLEX INCORPORATED LISLE, ILL. 60532 U.S.A.		SHEET NO. 3	DATE 1/22/88
PART NO. SD-3191-6*		DRWG. NO.	
SEE CHART			
FILE NAME S31916X3 DGN		THIS DRAWING CONTAINS INFORMATION THAT IS PROPRIETARY TO MOLEX INC. AND SHOULD NOT BE USED WITHOUT WRITTEN PERMISSION.	
CP	C		

3191