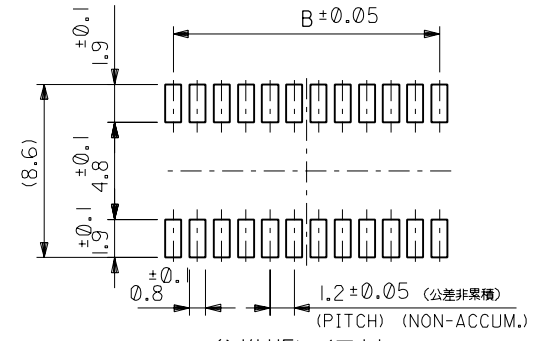
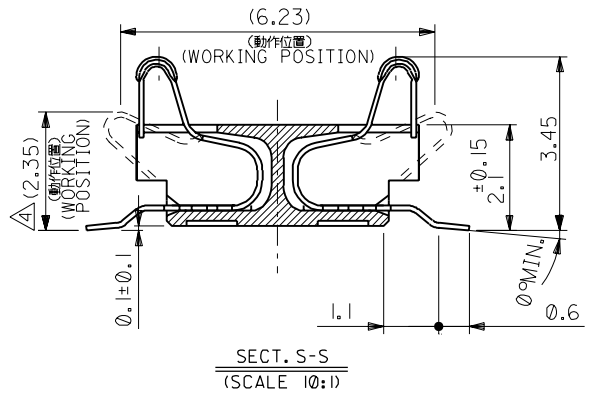
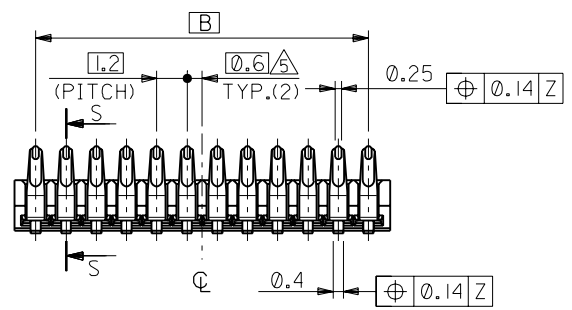
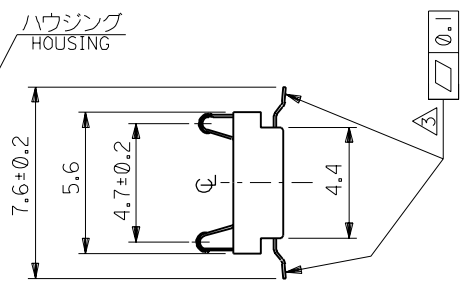
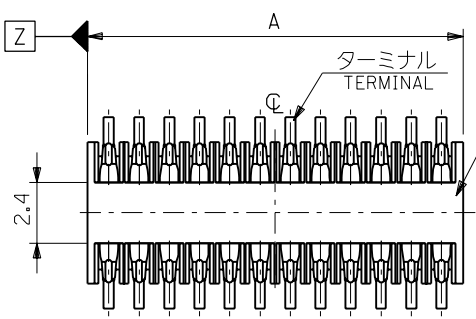
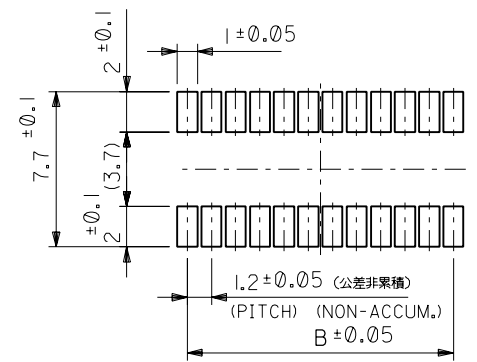


DO NOT SCALE DRAWING

DWG. NO. SD-54546-012



参考基板レイアウト  
P.C. BOARD PATTERN DIM. (REF.)



参考嵌合基板レイアウト  
MATING P.C. BOARD PATTERN DIM. (REF.)

注記  
NOTES

- 材質 MATERIAL  
ハウジング : 液晶ポリマー (黒) UL94V-0  
HOUSING : LIQUID CRYSTAL POLYMER, (BLACK), UL94V-0  
ターミナル : 燐青銅 (t=0.1)  
TERMINAL : PHOSPHOR BRONZE (t=0.1)
  - メッキ仕様 PLATING  
接点部 : 金メッキ  
CONTACT AREA : GOLD PLATING 0.4 MICROMETER MINIMUM.  
半田付け部 : 半田メッキ  
SOLDER TAIL AREA : TIN-LEAD PLATING 2.5 MICROMETER MINIMUM.  
下地メッキ : ニッケルメッキ  
UNDER PLATING : NICKEL PLATING 1.5 MICROMETER MINIMUM.
- △3 コネクタを水平面上に置いた状態で維持する事。  
TOLERANCES TO BE APPLIED WHEN ON A HORIZONTAL PLANE.
- △4 動作位置 (ストローク量 1.1mm) での接触力 : 0.46±0.1N {47±10gf}  
NORMAL FORCE AT WORKING POSITION (STROKE 1.1mm) : 0.46±0.1N {47±10gf}
- △5 (全極数/2) が偶数の場合に適用。  
THIS DIM. TO BE APPLICABLE TO THE PRODUCT  
WHEN (TOTAL CKT/2) = EVEN NUMBER.

13.2	14.9	54546-2431	24
10.8	12.5	54546-2031	20
7.2	8.9	54546-1431	14
B	A	MATERIAL NO.	極数 CIRCUIT

図番 NO. DRAWN: CHK: APPR:  図番 NO. DRAWN: CHK: APPR:  図番 NO. DRAWN: CHK: APPR:  更新 図番 NO. J2002-0787 DRAWN: THIRAYAMA 01/10/03 CHK: THIRATA APPR: MISCASAO 新規作成 RELEASED 図番 NO. JC2001-0333 DRAWN: T.KAIHO 00/11/2 CHK: T.IITO APPR: M.FUKUSHIMA	MATERIAL 材料  FINISH 仕上げ  WIRE RANGE 適用 適用範囲  INS. RANGE 被覆 外径	SEE NOTES  //  //	GENERAL TOLERANCES: (UNLESS SPECIFIED) 一般公差 10 UNDER 未満 ±0.2 10 OVER 以上 30 UNDER 未満 ±0.25 30 OVER 以上 ±0.3		SCALE 5:1 DESIGN UNITS mm □ INCH DRAWN BY & DATE T.KAIHO 00/11/2 CHECKED BY & DATE T.IITO 00/11/2 APPROVED BY & DATE M.FUKUSHIMA 00/11/2 CAD FILENAME 54546012.S01	MODEL NO. 54546-***31 DIMENSIONS: mm □ INCH mm ONLY SHT REV REVISION ON CAD ONLY	TITLE: 1.2mm PITCH DUAL ONE PIECE Conn Hsg Assy W/O BOSS MOLEX MOLEX INCORPORATED	MATERIAL NO. SEE CHART DRAWING NO. SD-54546-012 SHEET NO. 1 OF 1
			THIS DRAWING CONTAINS INFORMATION THAT IS PROPRIETARY TO MOLEX INCORPORATED AND SHOULD NOT BE USED WITHOUT WRITTEN PERMISSION.		SIZE B			

54546012.S01

164 NO. DRWN: CH'K: APPR:	163 NO. DRWN: CH'K: APPR:	162 NO. DRWN: CH'K: APPR:	更新 161 NO. J2002-0787 DRWN: THIRAYAMA 01/10/03 CH'K: THIRATA APPR: MISAHO	新規作成 RELEASED 160 NO. JC2001-0333 DRWN: T.KAIHO '00/11/2 CH'K: T.IITO APPR: M.FUKUSHIMA
			A	0

MATERIAL 材料	SEE NOTES
FINISH 仕上げ	//
WIRE RANGE 適用線径範囲	//
INS. RANGE 被覆外径	//

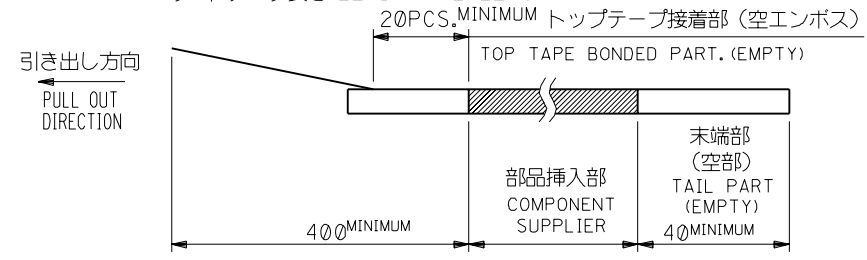
GENERAL TOLERANCES: (UNLESS SPECIFIED) 一般公差	SCALE	DESIGN UNITS
10 UNDER 未満 30 UNDER 未満 30 OVER 以上	1:1 1:2	mm INCH mm INCH
ANGLE 角度	3°	

MODEL NO. 54546-**-91	DRAWN BY & DATE T.KAIHO '00/11/2
	CHECKED BY & DATE T.IITO '00/11/2
	APPROVED BY & DATE M.FUKUSHIMA '00/11/2
CAD FILENAME	54546013.S01

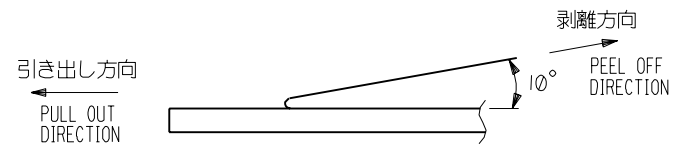
DIMENSIONS: <input type="checkbox"/> mm <input type="checkbox"/> INCH <input checked="" type="checkbox"/> mm ONLY	SHT 24	REV 20
TITLE: 1.2 DUAL ONE PIECE Conn Hsg Assy (W/O BOSS) Embstp Pkg	CONNECTOR	MATERIAL No. 14
MOLEX INCORPORATED		極数 CIRCUIT
MATERIAL NO. 54546-**-91	DRAWING NO. SD-54546-013	SHEET NO. 1 OF 2
THIS DRAWING CONTAINS INFORMATION THAT IS PROPRIETARY TO MOLEX INCORPORATED AND SHOULD NOT BE USED WITHOUT WRITTEN PERMISSION.		SIZE B

注記 NOTES

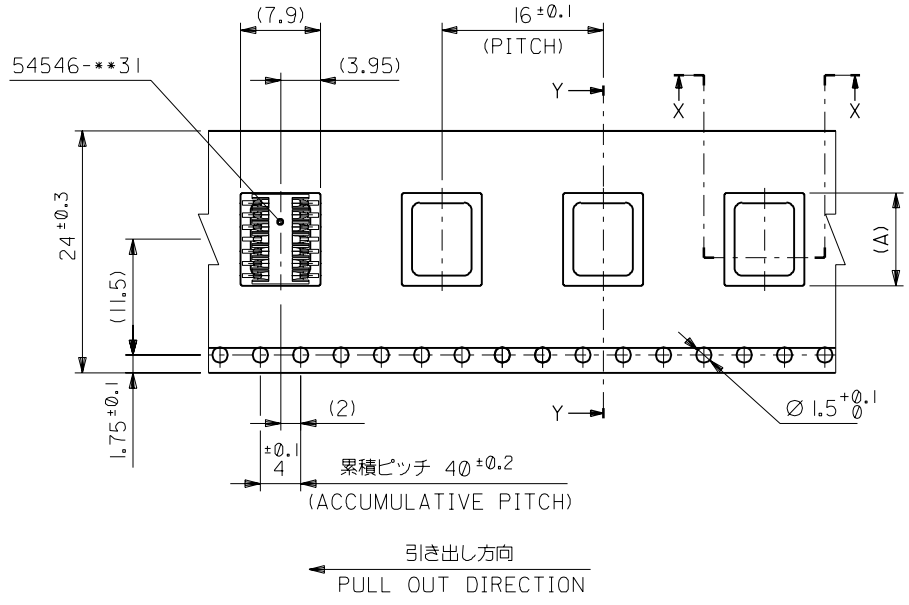
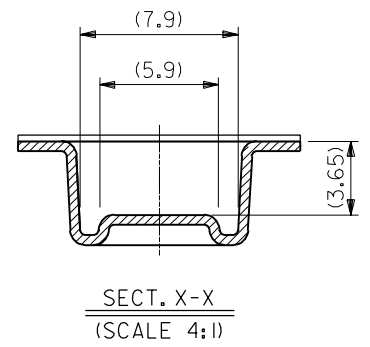
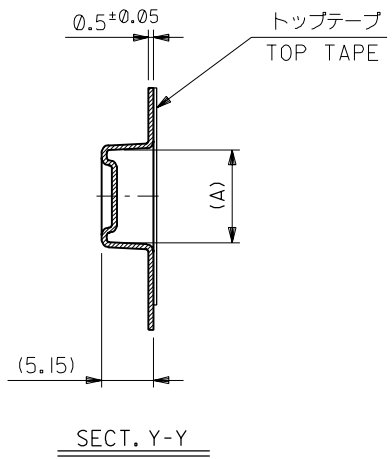
- 梱包数量: 1000個/リール  
NUMBER OF CONNECTORS: 1000PCS/REEL
- リードテープ長さ LEAD TAPE LENGTH  
20PCS. MINIMUM トップテープ接着部 (空エンボス)  
TOP TAPE BONDED PART. (EMPTY)



- トップテープの剥離強度: 0.1N ~ 0.7N (10.2gf ~ 71.4gf)  
(剥離方向は下図参照)  
尚、本規格値は出荷時に適用。(但し、輸送時に剥離が発生しないこと。)  
PEELING OFF FORCE OF TOP TAPE: 0.1N ~ 0.7N (10.2gf ~ 71.4gf)  
(PEELING DIRECTION AS SHOWN IN FOLLOWING FIG.)  
THIS REQUIREMENT SHOULD BE APPLIED AT SHIPMENT.  
PEEL OFF SHOULD NOT BE ALLOWED, DURING TRANSPORTATION.



- 材料 (MATERIAL)  
キャリアテープ (CARRIER TAPE): ポリプロピレン (POLYPROPYLENE)  
トップテープ (TOPTAPE): PET, PE, PEF  
リール (REEL): 紙製 (CARD BOARD)



24	24.4	15.2	54546-2491	24
		12.8	54546-2091	20
		9.2	54546-1491	14
キャリアテープ幅 CARRIER TAPE WIDTH		B	A	MATERIAL NO. CIRCUIT

MODEL NO. 54546-***91		DIMENSIONS:		SHT	REV
		<input type="checkbox"/> mm	<input type="checkbox"/> INCH	<input checked="" type="checkbox"/> mm	<input checked="" type="checkbox"/> INCH
		PROJECTION		REVISE ON CAD ONLY	
DRAWN BY & DATE T.KAIHO '00/11/ 2		TITLE: 1.2 DUAL ONE PIECE Conn Hsg Assy (W/O BOSS) Embstp Pkg			
CHECKED BY & DATE T.ITO '00/11/ 2		MOLEX INCORPORATED			
APPROVED BY & DATE M.FUKUSHIMA '00/11/ 2					
CAD FILENAME 54546013.S02		MATERIAL NO. SEE CHART	DRAWING NO. SD-54546-013	SHEET NO. 2 OF 2	
THIS DRAWING CONTAINS INFORMATION THAT IS PROPRIETARY TO MOLEX INCORPORATED AND SHOULD NOT BE USED WITHOUT WRITTEN PERMISSION.					SIZE B

064NO. DRAWN: CHK: APPR:	063NO. DRAWN: CHK: APPR:	062NO. DRAWN: CHK: APPR:	更新 REVISED 061NO. J2002-0787 DRAWN: THIRAYAMA 01/10/03 CHK: THIRATA APPR: MISASAO A	新規作成 RELEASED 060NO. JC2001-0333 DRAWN: T.KAIHO '00/11/ 2 CHK: T.ITO APPR: M.FUKUSHIMA 0	MATERIAL 材料 SHEET NO.1 参照 SEE SHEET NO.1 //	GENERAL TOLERANCES: (UNLESS SPECIFIED) 一般公差 10 UNDER 未満 ±0.2 10 OVER 30 UNDER 未満 ±0.25 30 OVER 以上 ±0.3 ANGLE 角度 ±3°	FINISH 仕上げ //	WIRE RANGE 適用線径範囲 //	INS. RANGE 被覆外径 //	REV
-----------------------------------	-----------------------------------	-----------------------------------	---	---	--	---	------------------	-------------------------	-----------------------	-----