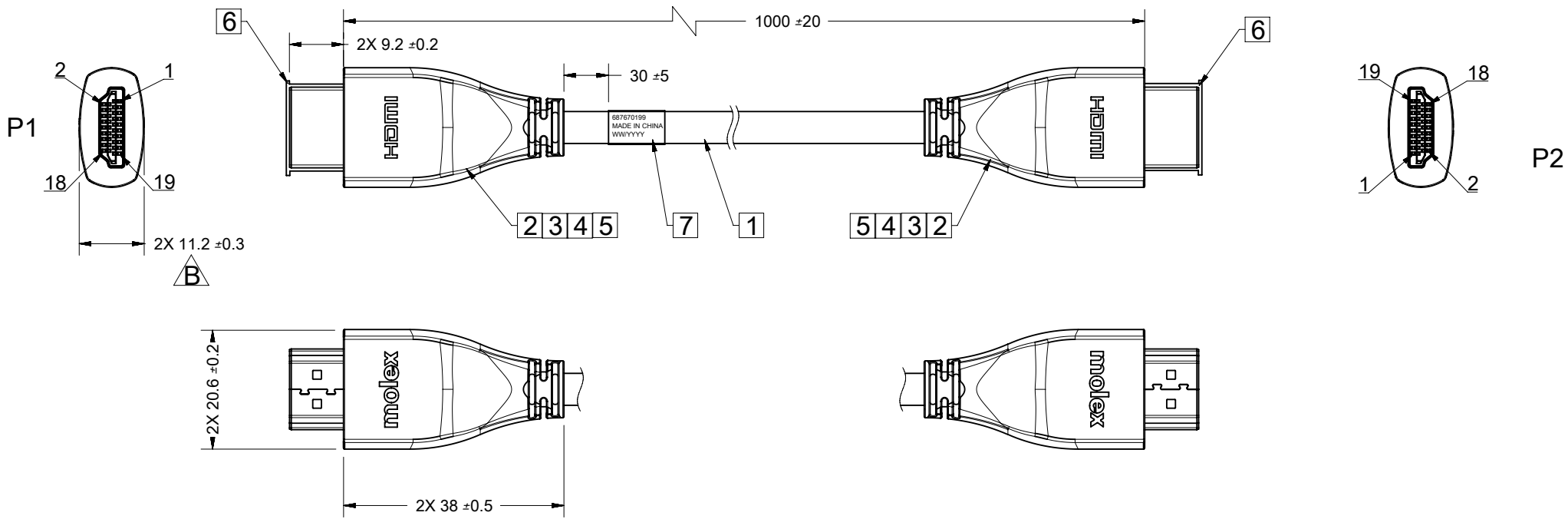


REVISIONS				
EC NO	DATE	REV	DESCRIPTION	CHANGER
NA	2018/08/16	A	INITIAL RELEASE	ROY
CY18-6452	2018/12/25	B	1.CHANGE TOLERANCE OF DIM 11.2 2.CHANGE RAW CABLE	ROY
CY19-5443	2019/7/9	C	CHANGE RAW CABLE COLOR	ROY



ITEM	DESCRIPTION	QTY'
7	LABEL	1
6	DUST COVER MOLDED WITH PE	2
5	OVERMOLD BLACK PVC 45P	A/R
4	INNERMOLD LD-PE	A/R
3	METAL SHELL FOR HDMI 19P MALE	2
2	CONN.HDMI 19P MALE,15U"Au Solder Type	2
1	UL20276(30#*1P+EAM)*5+30#*4C+A4EB(AL)BLACK PVC 0D:6.0MM	A/R

SYMBOLS DIMENSION UNITS: mm SCALE: 1:1 GENERAL TOLERANCES (UNLESS SPECIFIED) ANGULAR TOL: ± ° 4 PLACES: ± 3 PLACES: ± 2 PLACES: ± 0.25 1 PLACE: ± 0.5 0 PLACES: ± DRAFT WHERE APPLICABLE MUST REMAIN WITHIN DIMENSIONS	THIS DRAWING CONTAINS INFORMATION THAT IS PROPRIETARY TO MOLEX ELECTRONIC TECHNOLOGIES, LLC AND SHOULD NOT BE USED WITHOUT WRITTEN PERMISSION CURRENT REV DESC:												
	EC NO: 620312 DRWN: ZZXIAN 2019/07/09 CHK'D: RLIU44 2019/07/09 APPR: LHLIU 2019/07/09			HDMI TO HDMI A 1.4 WITH ETHERNET L=1M									
	INITIAL REVISION: DRWN: ZZXIAN 2018/08/08 APPR: LHLIU 2018/08/29				PRODUCT CUSTOMER DRAWING								
	DRAFT WHERE APPLICABLE MUST REMAIN WITHIN DIMENSIONS			THIRD ANGLE PROJECTION		DRAWING: A4-SIZE		SERIES: 201239		MATERIAL NUMBER: 687670199		CUSTOMER: GENERAL MARKET	

DOCUMENT STATUS	P1	RELEASE DATE	2019/07/09	08:57:19
-----------------	----	--------------	------------	----------

