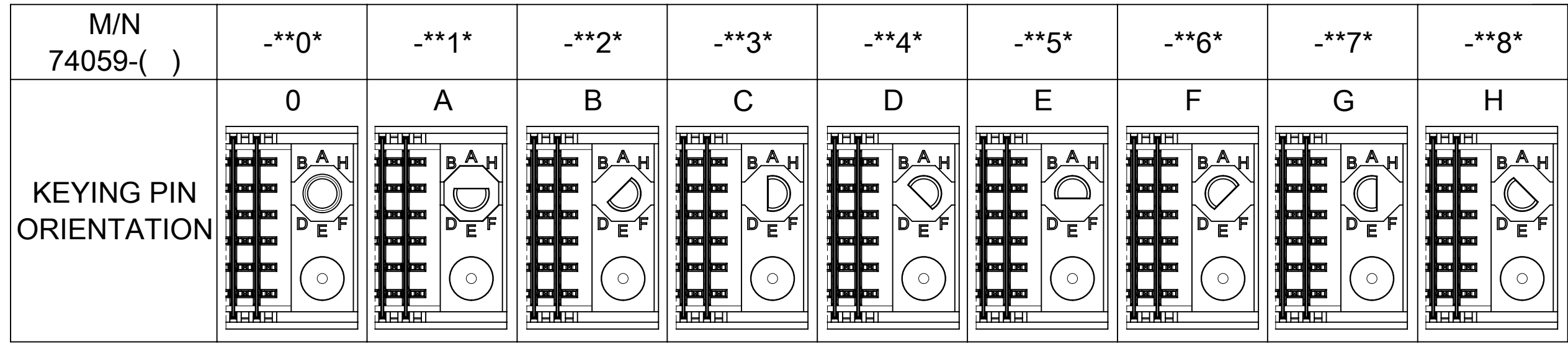


NOTES:

1. MATERIALS:
HOUSING - LIQUID CRYSTAL POLYMER (LCP),
GLASS-FILLED, UL 94V-0, COLOR: BLACK
SIGNAL PIN & SHIELD - COPPER ALLOY
2. FINISHES:
CONTACT AREA: SELECTIVE GOLD (Au)
PCB TAILS: SELECTIVE MATTE TIN (Sn)
NICKEL (Ni) OVERALL.
3. THIS PART CONFORMS TO MOLEX PRODUCT SPECIFICATION PS-74031-999
4. FOR MIXED CONTACT LENGTHS CONSULT MOLEX FOR AVAILABILITY
5. FOR SPECIFIC MATERIAL NUMBERS & MATING INFORMATION REFER TO SHEET 2 AND 3
6. PACKAGE PER PK-74058-003
7. MARK PART WITH PART NUMBER & DATE CODE APPROXIMATELY WHERE SHOWN
8. MAPS (MOLEX ADVANCED PLATING SYSTEM).

THE PRIMARY CARTON WITH A LABEL STATING "ELV AND RoHS COMPLAINT" IS LEAD FREE. CARTONS WITHOUT THIS LABEL MAY CONTAIN LEAD.

| | | | | | | | | | |
|---|----|------------------------|---|--|--|----------------|--|-----------------|--|
| THIS DRAWING CONTAINS INFORMATION THAT IS PROPRIETARY TO MOLEX ELECTRONIC TECHNOLOGIES, LLC AND SHOULD NOT BE USED WITHOUT WRITTEN PERMISSION | | | | | | | | | |
| DIMENSION UNITS | | SCALE | | CURRENT REV DESC: SEE REVISION TABLE | | | | | |
| mm | | 2.5:1 | | <p>molex</p> <p>VHDM 6 ROW SHIELD END BACKPLANE SALES DRAWING</p> <p>PRODUCT CUSTOMER DRAWING</p> <p>DOCUMENT NUMBER: SD-74059-002 DOC TYPE: PSD DOC PART: 001 REVISION: P</p> | | | | | |
| GENERAL TOLERANCES (UNLESS SPECIFIED) | | | | | | | | | |
| | MM | INCH | | | | | | | |
| 4 PLACES | ± | | ± | | | | | | |
| 3 PLACES | ± | | ± | | | | | | |
| 2 PLACES | ± | 0.1 | ± | | | | | | |
| 1 PLACE | ± | 0.25 | ± | | | | | | |
| 0 PLACES | ± | | ± | | | | | | |
| ANGULAR TOL | | ± 0.5 ° | | EC NO: 713684 | | 2022/06/15 | | | |
| DRAFT WHERE APPLICABLE MUST REMAIN WITHIN DIMENSIONS | | THIRD ANGLE PROJECTION | | DRWN: JMELTON | | 2010/05/20 | | | |
| | | | | CHK'D: WZHAO21 | | 2022/07/20 | | | |
| | | | | APPR: WZHAO21 | | 2022/07/20 | | | |
| | | | | INITIAL REVISION: | | | | | |
| | | | | APPR: SMILLER | | 2010/07/14 | | | |
| | | | | DRAWING | | SERIES | | MATERIAL NUMBER | |
| | | | | C-SIZE | | 74059 | | SEE SHEET 2 | |
| | | | | CUSTOMER | | GENERAL MARKET | | SHEET NUMBER | |
| | | | | | | | | 1 OF 3 | |



74059-****

NUMBER OF COLUMNS/PLATING

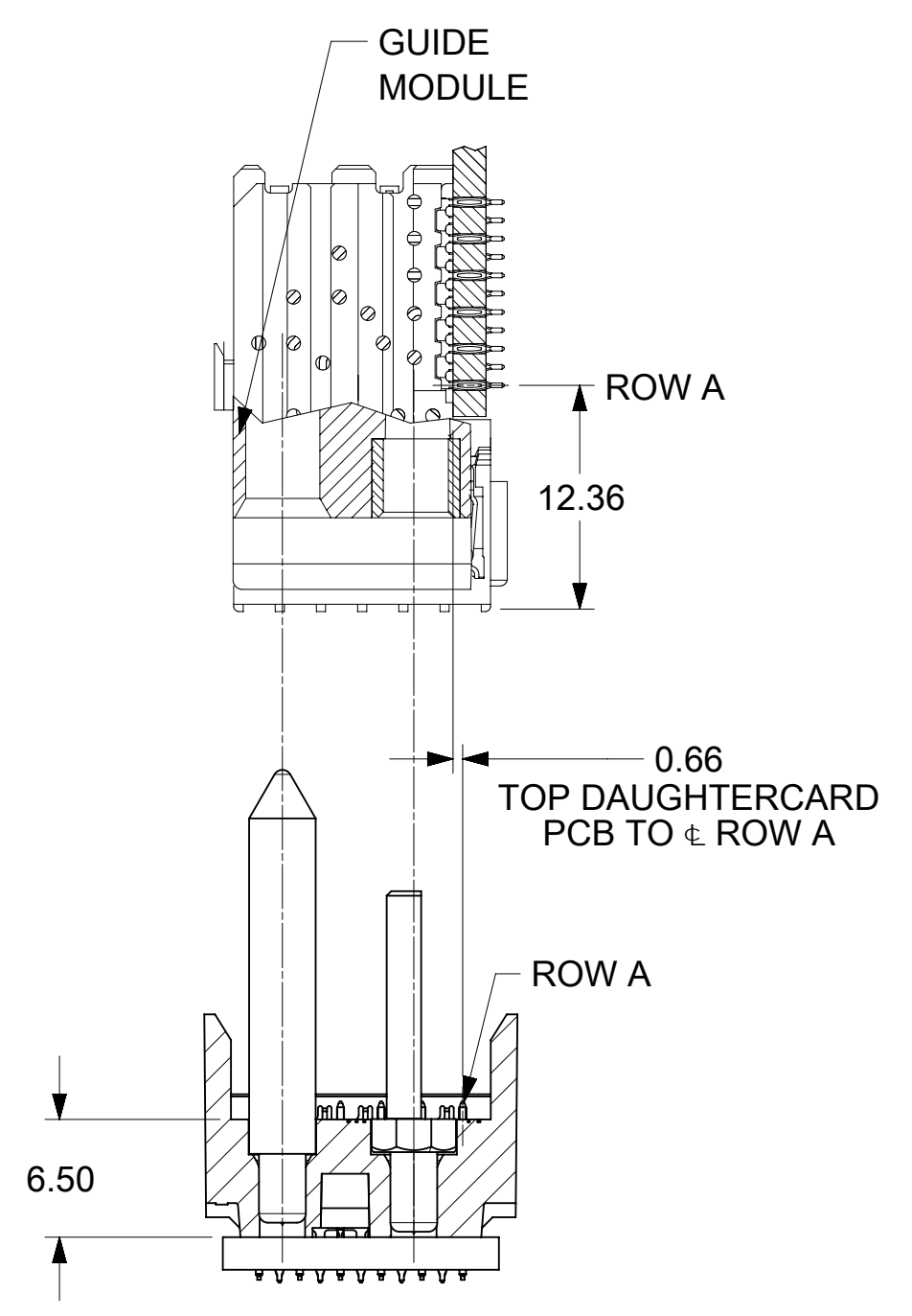
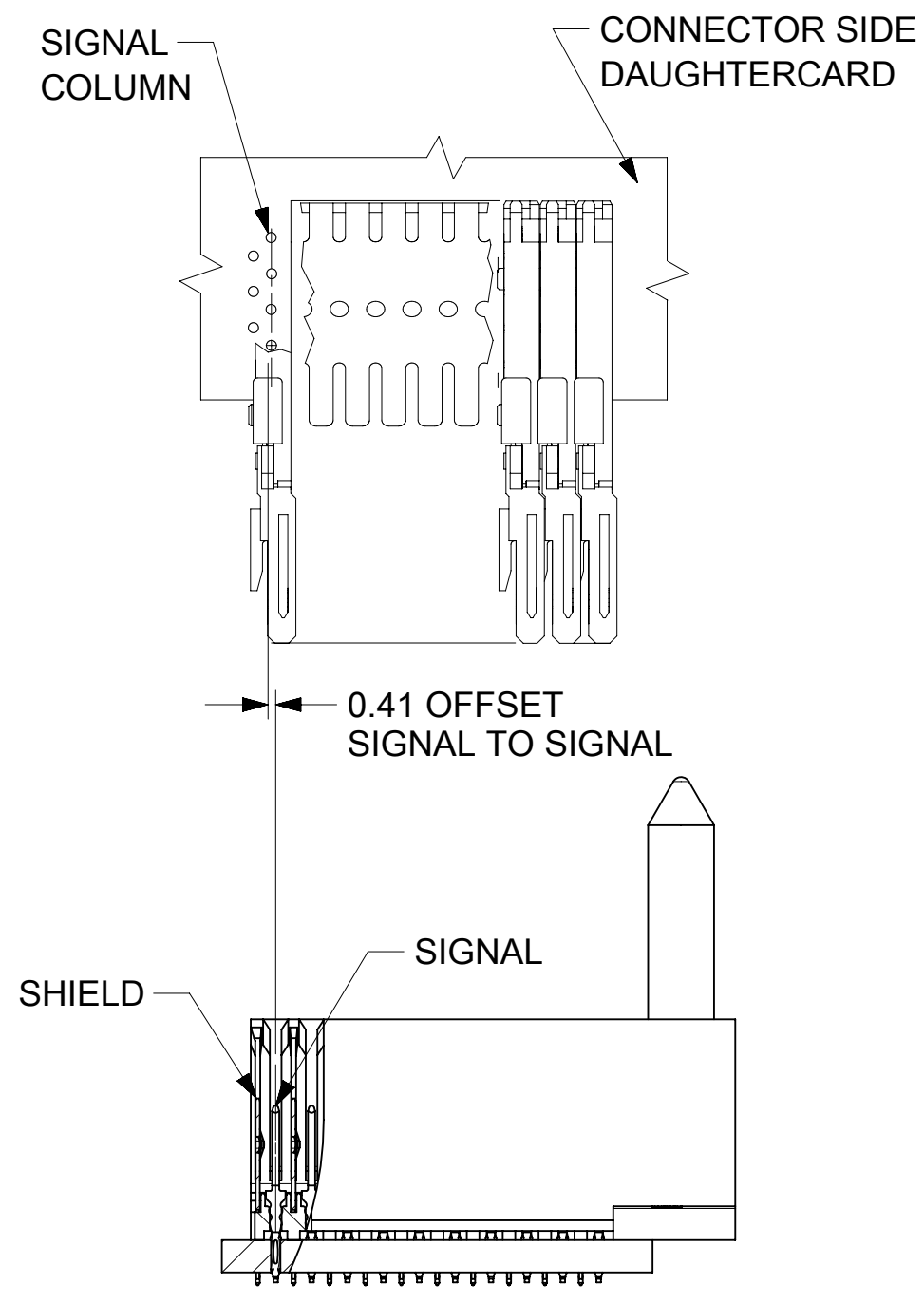
- 10 = 10 COLUMN MATTE TIN (FORMERLY TIN/LEAD)
- 21 = 11 COLUMN MATTE TIN (FORMERLY TIN/LEAD)
- 25 = 25 COLUMN MATTE TIN (FORMERLY TIN/LEAD)
- 60 = 10 COLUMN MATTE TIN (MAPS)
- 71 = 11 COLUMN MATTE TIN (MAPS)
- 75 = 25 COLUMN MATTE TIN (MAPS)
- 90 = 10 COLUMN MATTE TIN
- 81 = 11 COLUMN MATTE TIN
- 85 = 25 COLUMN MATTE TIN

CONTACT LOAD (PIN HEIGHT)

- 1 & 6 = 4.75
- 2 & 7 = 6.25
- 3 & 8 = 4.25
- 4 & 9 = 5.15

| PART NUMBER | COLUMN | NUMBER OF SIGNAL PIN | NUMBER OF SHIELD | A | B | M | GOLD THICKNESS MICROMETER | TIN THICKNESS MICROMETER |
|-------------|--------|----------------------|------------------|-------|-------|-----------|---------------------------|--------------------------|
| 74059-60*1 | 10 | 60 | 10 | 27.00 | 18.00 | 4.75 | 0.25 MAPS | 0.76-1.52 |
| 74059-*0*1 | | | | | | | 0.76 | |
| 74059-*0*6 | | | | | | | 1.27 | |
| 74059-75*1 | 25 | 150 | 25 | 57.00 | 48.00 | 0.25 MAPS | | |
| 74059-*5*1 | | | | | | 0.76 | | |
| 74059-*5*6 | | | | | | 1.27 | | |
| 74059-60*2 | 10 | 60 | 10 | 27.00 | 18.00 | 0.25 MAPS | | |
| 74059-*0*2 | | | | | | 0.76 | | |
| 74059-*0*7 | | | | | | 1.27 | | |
| 74059-75*2 | 25 | 150 | 25 | 57.00 | 48.00 | 0.25 MAPS | | |
| 74059-*5*2 | | | | | | 0.76 | | |
| 74059-*5*7 | | | | | | 1.27 | | |
| 74059-60*3 | 10 | 60 | 10 | 27.00 | 18.00 | 0.25 MAPS | | |
| 74059-*0*3 | | | | | | 0.76 | | |
| 74059-*0*8 | | | | | | 1.27 | | |
| 74059-75*3 | 25 | 150 | 25 | 57.00 | 48.00 | 0.25 MAPS | | |
| 74059-*5*3 | | | | | | 0.76 | | |
| 74059-*5*8 | | | | | | 1.27 | | |
| 74059-60*4 | 10 | 60 | 10 | 27.00 | 18.00 | 0.25 MAPS | | |
| 74059-*0*4 | | | | | | 0.76 | | |
| 74059-*0*9 | | | | | | 1.27 | | |
| 74059-75*4 | 25 | 150 | 25 | 57.00 | 48.00 | 0.25 MAPS | | |
| 74059-*5*4 | | | | | | 0.76 | | |
| 74059-*5*9 | | | | | | 1.27 | | |

| PART NUMBER | COLUMN | NUMBER OF SIGNAL PIN | NUMBER OF SHIELD | A | B | M | GOLD THICKNESS MICROMETER | TIN THICKNESS MICROMETER |
|-------------|--------|----------------------|------------------|-------|-------|------|---------------------------|--------------------------|
| 74059-71*1 | 11 | 66 | 11 | 29.00 | 20.00 | 4.75 | 0.25 MAPS | 0.76-1.52 |
| 74059-*1*1 | | | | | | | 0.76 | |
| 74059-*1*6 | | | | | | | 1.27 | |
| 74059-71*2 | 11 | 66 | 11 | 29.00 | 20.00 | 6.25 | 0.25 MAPS | |
| 74059-*1*2 | | | | | | | 0.76 | |
| 74059-*1*7 | | | | | | | 1.27 | |
| 74059-71*3 | 11 | 66 | 11 | 29.00 | 20.00 | 4.25 | 0.25 MAPS | |
| 74059-*1*3 | | | | | | | 0.76 | |
| 74059-*1*8 | | | | | | | 1.27 | |
| 74059-71*4 | 11 | 66 | 11 | 29.00 | 20.00 | 5.15 | 0.25 MAPS | |
| 74059-*1*4 | | | | | | | 0.76 | |
| 74059-*1*9 | | | | | | | 1.27 | |




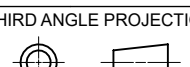
SECTION Z-Z ROTATED 90°

THIS DRAWING CONTAINS INFORMATION THAT IS PROPRIETARY TO MOLEX ELECTRONIC TECHNOLOGIES, LLC AND SHOULD NOT BE USED WITHOUT WRITTEN PERMISSION

| | | | |
|--|--------|--------------------------------------|----------------|
| DIMENSION UNITS | SCALE | CURRENT REV DESC: SEE REVISION TABLE | |
| mm | 2.5:1 | | |
| GENERAL TOLERANCES (UNLESS SPECIFIED) | | | |
| | MM | INCH | |
| 4 PLACES | ± | ± | |
| 3 PLACES | ± | ± | |
| 2 PLACES | ± 0.1 | ± | |
| 1 PLACE | ± 0.25 | ± | |
| 0 PLACES | ± | ± | |
| ANGULAR TOL | ± 0.5° | | |
| DRAFT WHERE APPLICABLE MUST REMAIN WITHIN DIMENSIONS | | THIRD ANGLE PROJECTION | DRAWING SERIES |
| | | | C-SIZE 74059 |

| | | | |
|-------------------|----------------|--------------|----------|
| EC NO: 713684 | | 2022/06/15 | |
| DRWN: MKP | | 2022/07/20 | |
| CHK'D: WZHAO21 | | 2022/07/20 | |
| APPR: WZHAO21 | | 2022/07/20 | |
| INITIAL REVISION: | | | |
| DRWN: JMELTON | | 2010/05/20 | |
| APPR: SMILLER | | 2010/07/14 | |
| DOCUMENT NUMBER | DOC TYPE | DOC PART | REVISION |
| SD-74059-002 | PSD | 001 | P |
| MATERIAL NUMBER | CUSTOMER | SHEET NUMBER | |
| SEE TABLE | GENERAL MARKET | 2 OF 3 | |

| DATE | REV | DESCRIPTION |
|------------|-----|---|
| 2022/06/24 | P | DRAWING MIGRATION DRAWING HAS BEEN UPDATED |
| | | |
| | | |

| | | | | | | | | | |
|---|----|---|---|---|-----|----------------|--|---|----------|
| THIS DRAWING CONTAINS INFORMATION THAT IS PROPRIETARY TO MOLEX ELECTRONIC TECHNOLOGIES, LLC AND SHOULD NOT BE USED WITHOUT WRITTEN PERMISSION | | | | | | | | | |
| DIMENSION UNITS | | SCALE | | CURRENT REV DESC: SEE REVISION TABLE | | | |  | |
| mm | | 1:1 | | EC NO: 713684 DRWN: MKP 2022/06/15 CHK'D: WZHAO21 2022/07/20 APPR: WZHAO21 2022/07/20 INITIAL REVISION: DRWN: JMELTON 2010/05/20 APPR: SMILLER 2010/07/14 | | | | | |
| GENERAL TOLERANCES (UNLESS SPECIFIED) | | | | | | | | VHDM 6 ROW SHIELD END BACKPLANE SALES DRAWING | |
| | MM | INCH | | | | | | PRODUCT CUSTOMER DRAWING | |
| 4 PLACES | ± | | ± | | | | | DOCUMENT NUMBER | |
| 3 PLACES | ± | | ± | | | | | SD-74059-002 | |
| 2 PLACES | ± | 0.1 | ± | | | | | DOC TYPE | DOC PART |
| 1 PLACE | ± | 0.25 | ± | PSD | 001 | P | | | |
| 0 PLACES | ± | | ± | MATERIAL NUMBER | | CUSTOMER | | SHEET NUMBER | |
| ANGULAR TOL ± 0.5 ° | | THIRD ANGLE PROJECTION | | SEE SHEET 2 | | GENERAL MARKET | | 3 OF 3 | |
| DRAFT WHERE APPLICABLE MUST REMAIN WITHIN DIMENSIONS | |  | | DRAWING | | SERIES | | | |
| | | | | C-SIZE | | 74059 | | | |