

THE INFORMATION CONTAINED HEREIN IS CONSIDERED "PROPRIETARY" TO BEL FUSE INC. AND SHALL NOT BE COPIED, REPRODUCED OR DISCLOSED WITHOUT THE WRITTEN APPROVAL OF BEL FUSE INC.

RoHS
2002/95/EC



ELECTRICAL CHARACTERISTICS @ 25°C

URNS RATIO

TP1	1CT : 1CT ±2%
TP2	1CT : 1CT ±2%
TP3	1CT : 1CT ±2%
TP4	1CT : 1CT ±2%

OCL @ 100kHz/100mVRMS

FOR CHANNEL 1 AND CHANNEL 2

11mA DC BIAS 350µH MIN.

Compliant to IEEE 802.3at specification

FOR CHANNEL 3 AND CHANNEL 4

8mA DC BIAS 350µH MIN.

INS. LOSS

0.1MHz TO 1MHz	-1.1 dB MAX
1MHz TO 65MHz	-0.5 dB MAX
65MHz TO 100MHz	-0.8 dB MAX
100MHz TO 125MHz	-1.2 dB MAX

RET. LOSS (MIN) @ 100ΩHMS ±15%

0.5MHz-40MHz	-18 dB
40MHz-100MHz	-12+20LOG(f/80MHz) dB

CM TO CM REJ

100kHz - 100MHz -30 dB MIN

CM TO DM REJ

100kHz - 100MHz -35 dB MIN

HIPOT (Isolation Voltage): 2250 VDC

100% OF PRODUCTION TESTED TO COMPLY WITH

IEEE 802.3 ISOLATION REQUIREMENTS.

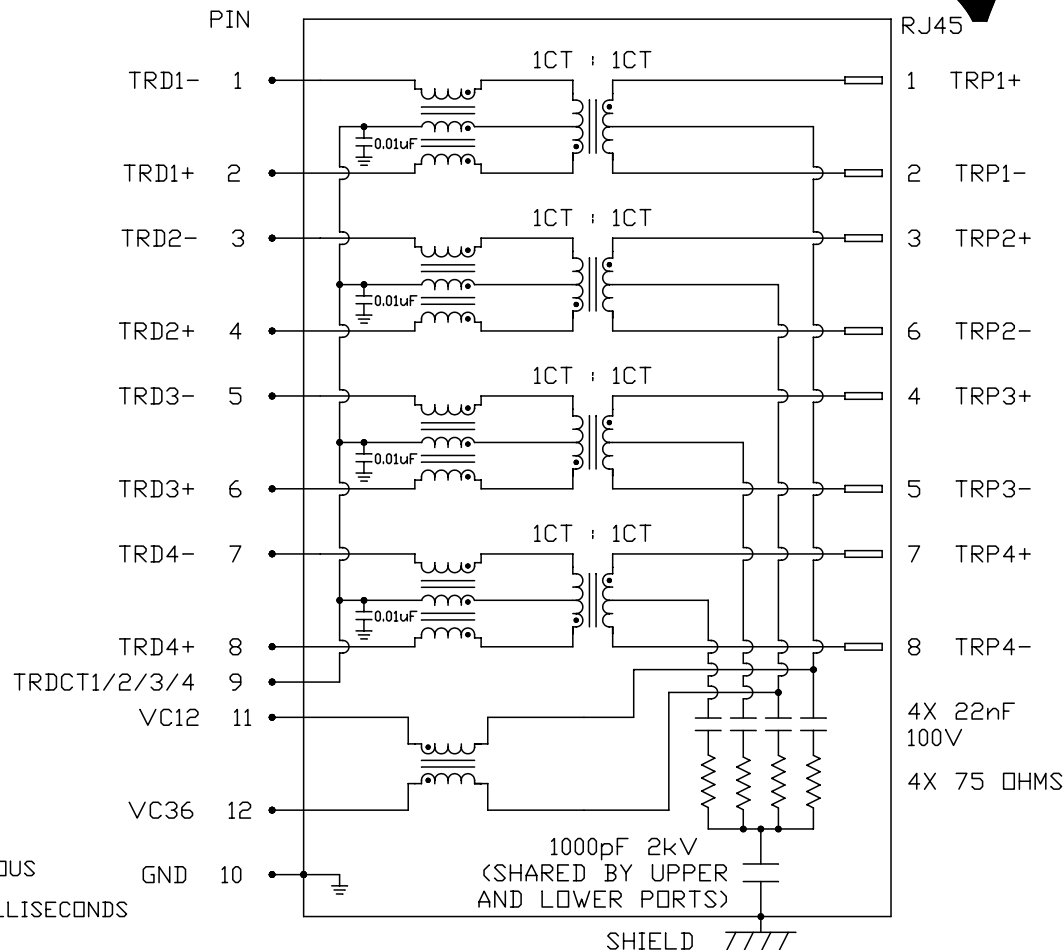
BALANCED DC LINE CURRENT 720 mA MAX. @ 57 VDC CONTINUOUS

1.2A MAX. @ 57 VDC FOR 200 MILLISECONDS

OPERATING TEMPERATURE

-40°C TO +85°C

SCHEMATIC



ORIGINATED BY	DATE
CHOW WANGCHUNG	01-28-10
DRAWN BY	DATE
LEE WEIDE	01-28-10

TITLE
2X4 gigabit MagJack® (PoEp, Extended Temperature)
0854-2X4R-GK-F PATENTED

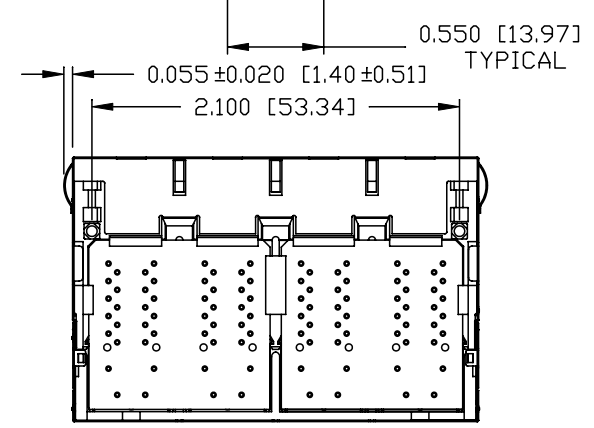
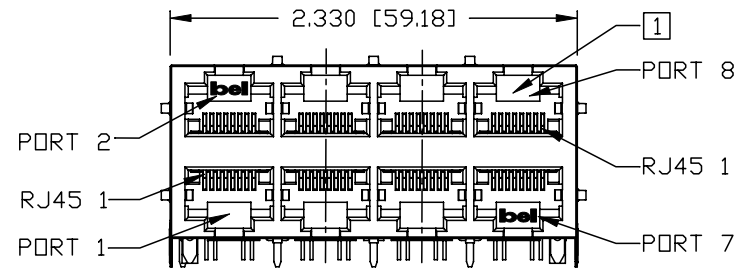
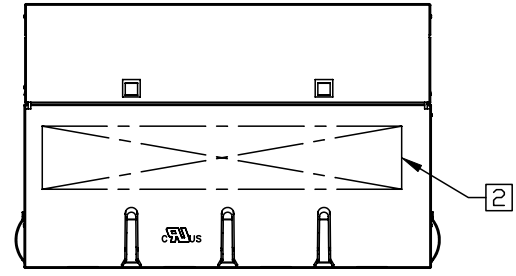
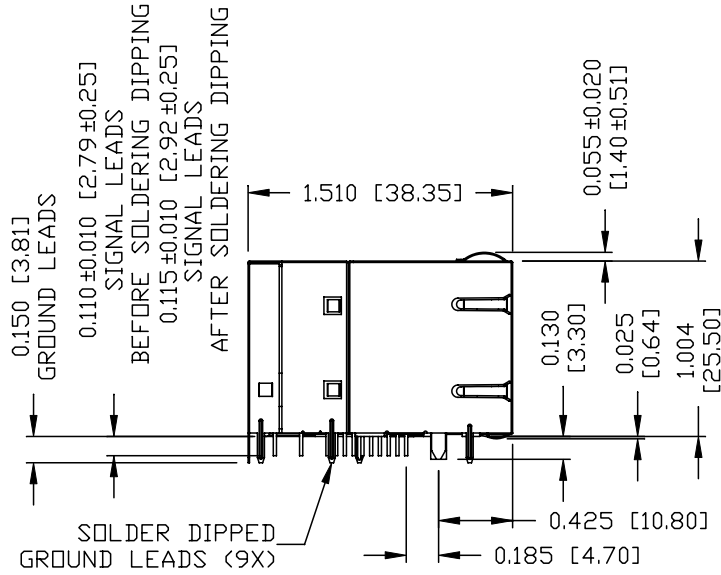
PART NO. / DRAWING NO.	08542X4RGK-F
FILE NAME	08542X4RGK-F_A.DWG

STANDARD DIM. TOL. IN INCH	[] METRIC DIM. AS REFERENCE
.X	UNIT : INCH [mm]
.XX	SCALE : N/A
.XXX	SIZE : A4
	PAGE : 2



THE INFORMATION CONTAINED HEREIN IS CONSIDERED "PROPRIETARY" TO BEL FUSE INC. AND SHALL NOT BE COPIED, REPRODUCED OR DISCLOSED WITHOUT THE WRITTEN APPROVAL OF BEL FUSE INC.

RoHS
2002/95/EC



NOTES:
 PLASTIC HOUSING: THERMOPLASTIC PBT
 FLAMMABILITY RATING UL 94V-0
 CONTACT PLATING: 50 MICRO-INCH HARD GOLD PLATING
 OUTPUT PINS: TIN-COATED COPPER WIRE, DIA 0.018 INCH.
 METAL SHIELD: NICKEL PLATED ON COPPER ALLOY.
 (ALL GROUND LEADS ARE SOLDER DIPPED)

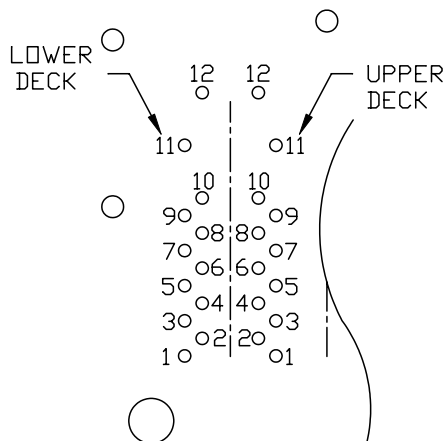
- 1 JACK CAVITY CONFORMS TO FCC RULES AND REGULATIONS, PART 68 SUBPART F.
- 2 MARK PART WITH MFG LOGO, MFG NAME, PART NUMBER, DATE CODE AND PATENTED.
- 3. RoHS COMPLIANT, PER EU DIRECTIVE 2002/95/EC
- 4. THE PRODUCT IS PATENTED, THE PATENT NUMBER IS U.S. PAT. 5,736,910.

ORIGINATED BY CHEN BILL	DATE 01-28-10	TITLE 2X4 gigabit MagJack® (PoEp, Extended Temperature)	PART NO. / DRAWING NO. 08542X4RGK-F	STANDARD DIM. TOL. IN INCH		[] METRIC DIM. AS REFERENCE		REV. : A
				.X		UNIT : INCH [mm]	SCALE : N/A	
DRAWN BY XIAN JIAXIN	DATE 01-28-10	TITLE 2X4 gigabit MagJack® (PoEp, Extended Temperature)	FILE NAME 08542X4RGK-F_A.DWG	.XX		UNIT : INCH [mm]	SCALE : N/A	REV. : A
				.XXX	±0.010	UNIT : INCH [mm]	SCALE : N/A	SIZE : A4
								PAGE : 3



THE INFORMATION CONTAINED HEREIN IS CONSIDERED "PROPRIETARY" TO BEL FUSE INC. AND SHALL NOT BE COPIED, REPRODUCED OR DISCLOSED WITHOUT THE WRITTEN APPROVAL OF BEL FUSE INC.

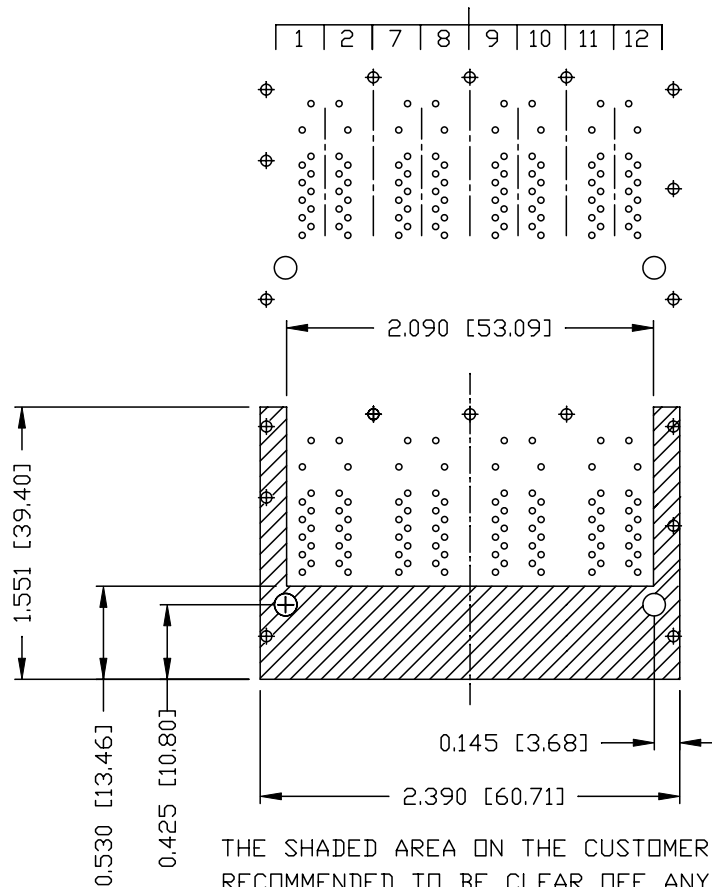
RoHS
2002/95/EC



PIN-OUT INFORMATION
(COMPONENT SIDE VIEW)

12	VC36
11	VC12
10	GND
9	TRCT1/2/3/4
8	TRD 4+
7	TRD 4-
6	TRD 3+
5	TRD 3-
4	TRD 2+
3	TRD 2-
2	TRD 1+
1	TRD 1-

PORT ASSIGNMENT
(COMPONENT SIDE VIEW)



THE SHADED AREA ON THE CUSTOMER BOARD ARE RECOMMENDED TO BE CLEAR OFF ANY VIA HOLE OR COMPONENT PAD.

ORIGINATED BY CHEN BILL	DATE 01-28-10
DRAWN BY XIAN JIAXIN	DATE 01-28-10

TITLE
2X4 gigabit MagJack®
(PoEp, Extended Temperature)
0854-2X4R-GK-F
PATENTED

PART NO. / DRAWING NO.
08542X4RGK-F

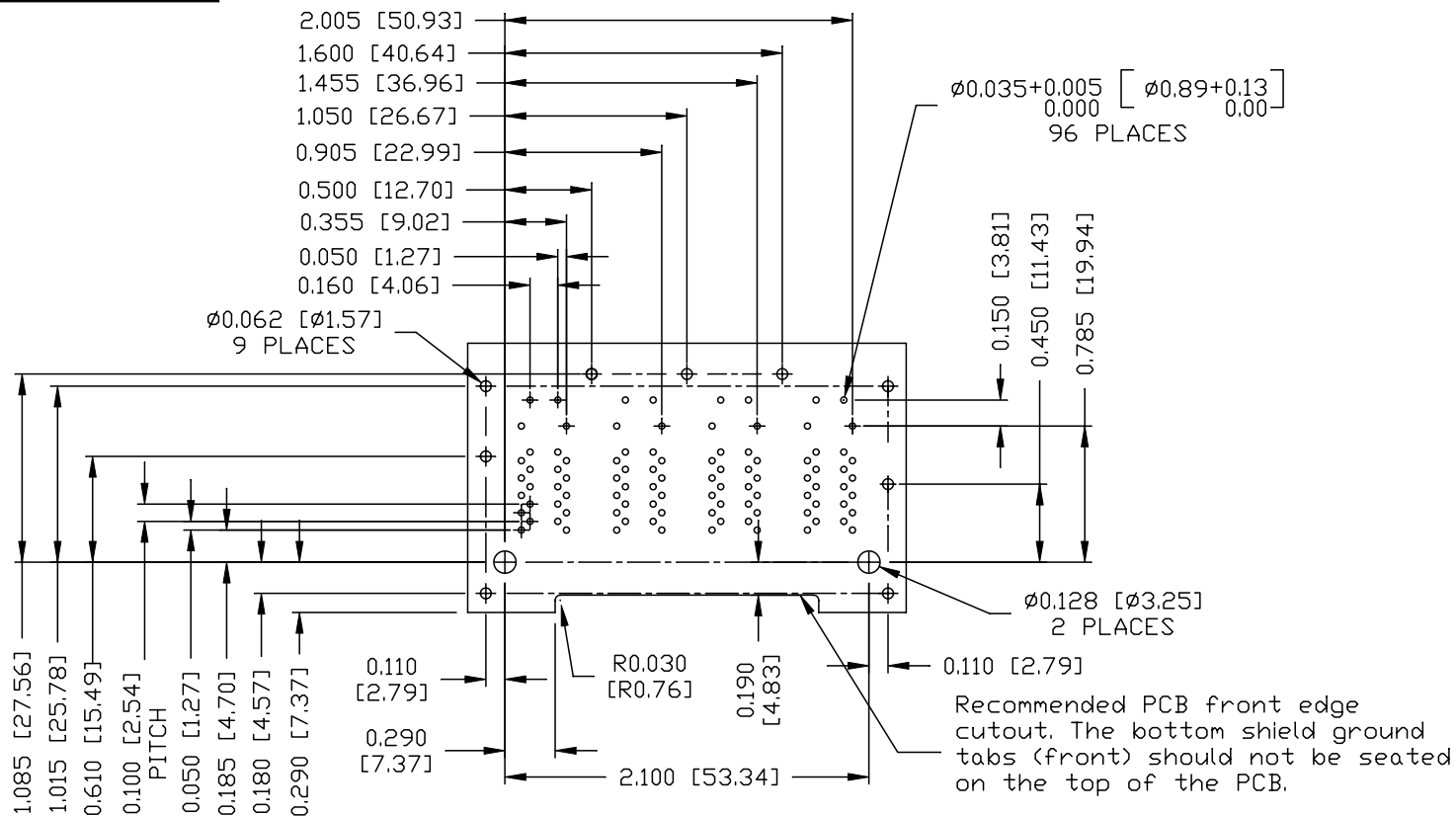
FILE NAME
08542X4RGK-F_A.DWG

STANDARD DIM. TOL. IN INCH	
.X	/
.XX	/
.XXX	±0.004

[] METRIC DIM. AS REFERENCE	
UNIT : INCH [mm]	REV. : A
SCALE : N/A	SIZE : A4
	PAGE : 4



THE INFORMATION CONTAINED HEREIN IS CONSIDERED "PROPRIETARY" TO BEL FUSE INC. AND SHALL NOT BE COPIED, REPRODUCED OR DISCLOSED WITHOUT THE WRITTEN APPROVAL OF BEL FUSE INC.



SUGGESTED FOOTPRINT
(COMPONENT SIDE VIEW)

ORIGINATED BY CHEN BILL	DATE 01-28-10
DRAWN BY XIAN JIAXIN	DATE 01-28-10

TITLE 2X4 gigabit MagJack® (PoEp, Extended Temperature) 0854-2X4R-GK-F PATENTED

PART NO. / DRAWING NO. 08542X4RGK-F
FILE NAME 08542X4RGK-F_A.DWG

STANDARD DIM. TOL. IN INCH	
.X	
.XX	
.XXX	±0.004

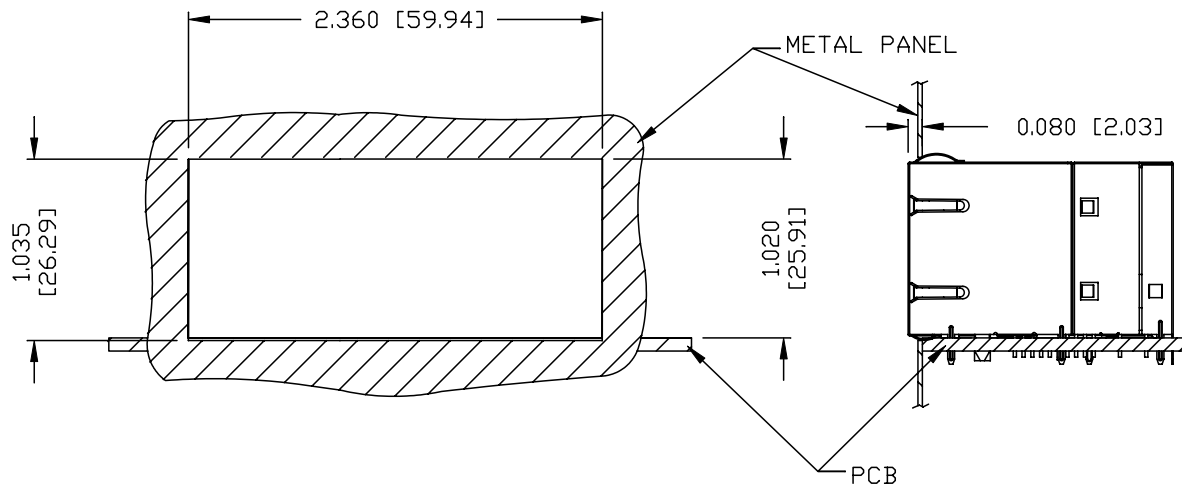
[] METRIC DIM. AS REFERENCE	
UNIT : INCH [mm]	REV. : A
SCALE : N/A	SIZE : A4
	PAGE : 5



THE INFORMATION CONTAINED HEREIN IS CONSIDERED "PROPRIETARY" TO BEL FUSE INC. AND SHALL NOT BE COPIED, REPRODUCED OR DISCLOSED WITHOUT THE WRITTEN APPROVAL OF BEL FUSE INC.



SUGGESTED PANEL OPENING



NOTE:

THE DISTANCE OF PANEL INSIDE SURFACE RELATIVE TO FRONT SURFACE OF PART IS ONLY A SUGGESTION. IN CASE THIS DISTANCE IS DIFFERENT, THE REQUIRED PANEL OPENING DIMENSIONS CHANGE ACCORDINGLY.

PACKING INFORMATION

PACKING TRAY : 0200-9999-G2 (TOP)

0200-9999-G3 (BOTTOM)

PACKING QUANTITY : 20 PCS FINISHED GOODS PER TRAY.

5 TRAYS (100 PCS FINISHED GOODS) PER CARTON BOX.

NOTE : CARDBOARDS ARE PLACED BETWEEN LAYERS OF PACKING TRAY INSIDE CARTON BOX.

(INCLUDE THE UPPERMOST AND LOWERMOST TRAY)

ORIGINATED BY CHEN BILL	DATE 01-28-10	TITLE 2X4 gigabit MagJack® (PoEp, Extended Temperature) 0854-2X4R-GK-F PATENTED	PART NO. / DRAWING NO. 08542X4RGK-F	STANDARD DIM. TOL. IN INCH		[] METRIC DIM. AS REFERENCE		REV. : A	bel COMMITTED TO CONNECTED PLANTS
				.X		UNIT : INCH [mm]	SCALE : N/A		
DRAWN BY XIAN JIAXIN	DATE 01-28-10		FILE NAME 08542X4RGK-F_A.DWG	.XX		SIZE : A4	PAGE : 6		
				.XXX	±0.004				