

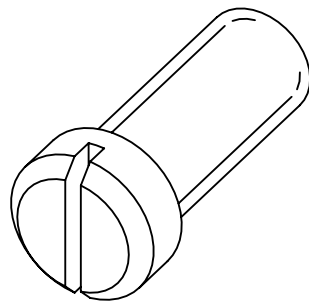
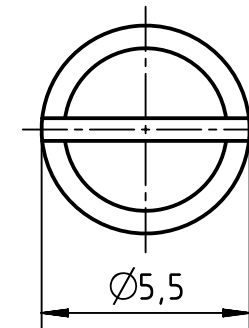
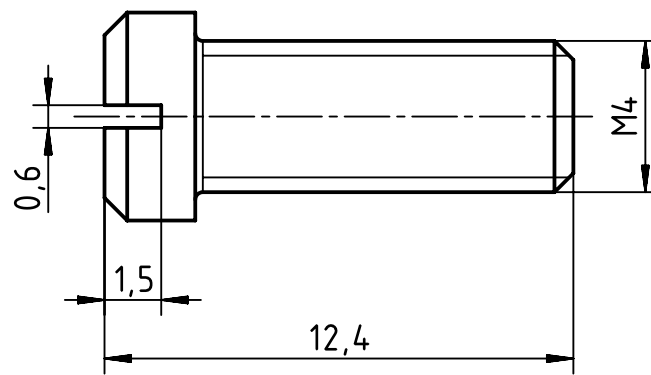
1 2 3 4 5 6


A

B

C

D



| | | | | | | | | | | | |
|---|---|---|--|--|--|----------------------------|--|--|--|------------------------|--|
|  | All rights reserved Department EL PD | Created by HELLMANN | | Inspected by GERB | | Standardisation RUETERA | | Date 2020-09-30 | | State Final Release | |
| | | HARTING Electric GmbH & Co. KG D-32339 Espelkamp | | Title M4x10 self-locking screw f. 09000005603 | | | | Doc-Key / ECM-Nr. 100611992/UGD/001/B 500000180075 | | Rev. B | |
| All Dimensions in mm Original Size DIN A4 | | Scale 5:1 | | Free size tol. | | | | Ref. Sub. | | | |