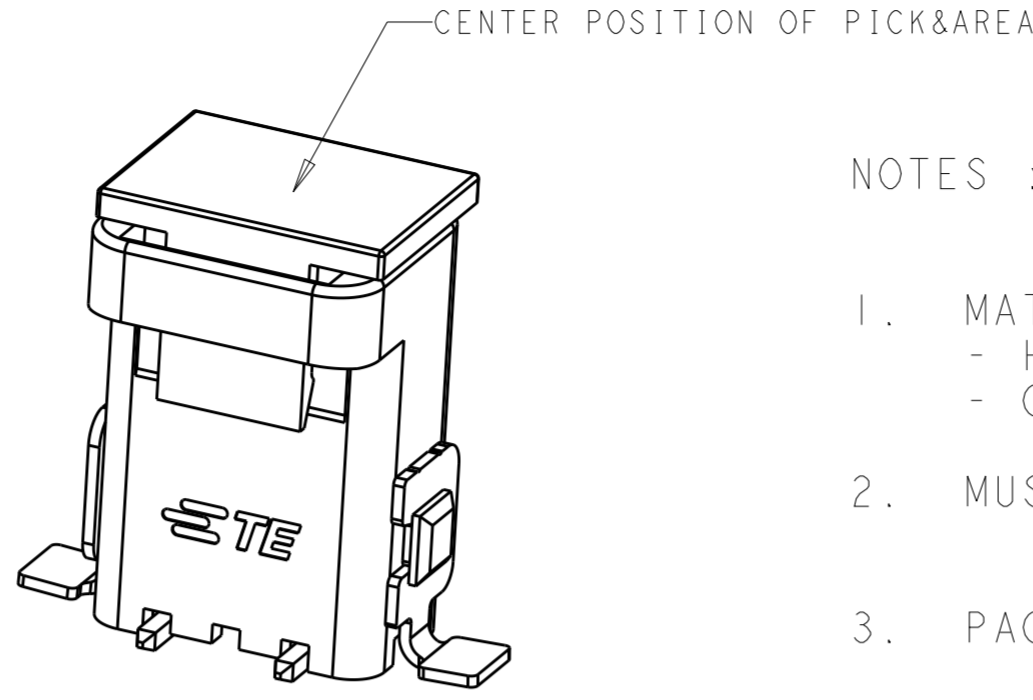
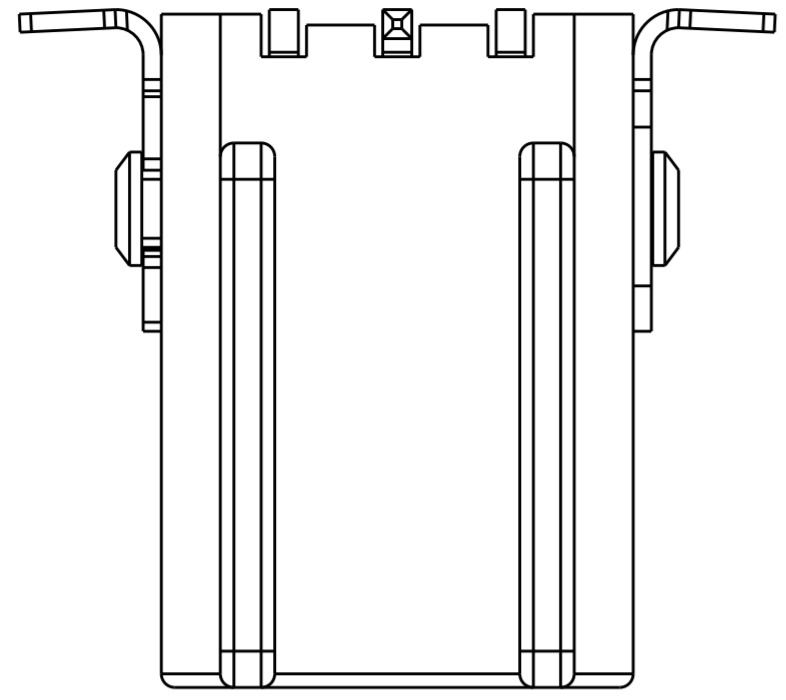
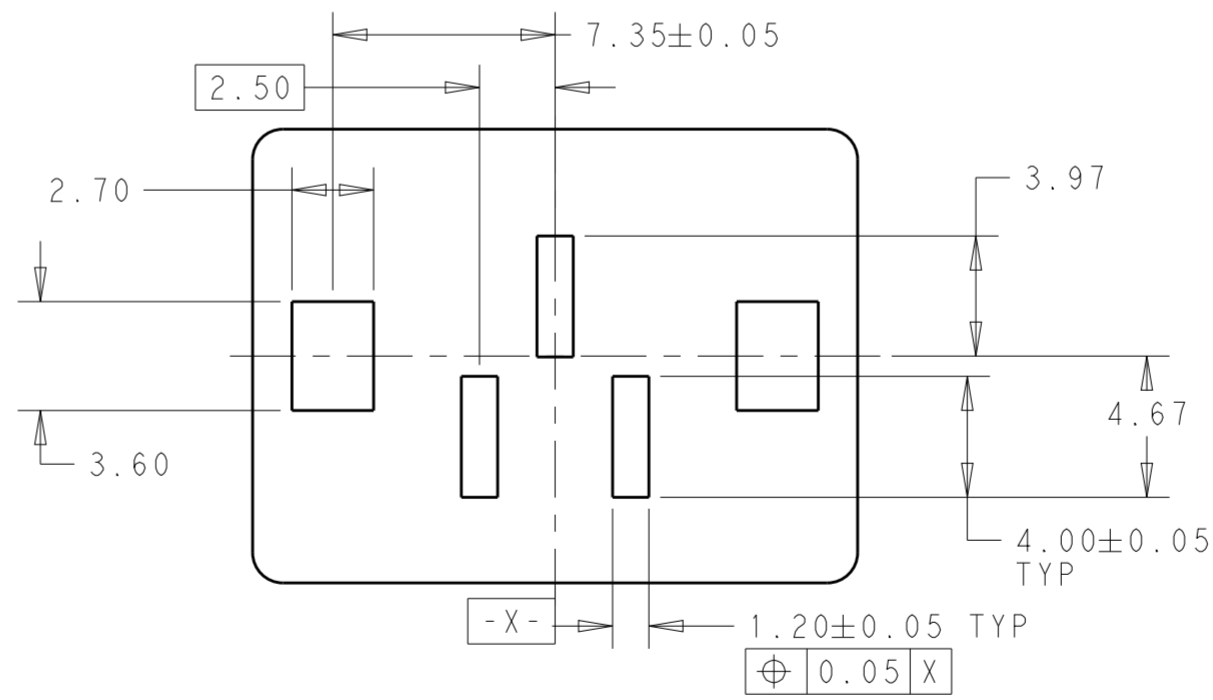
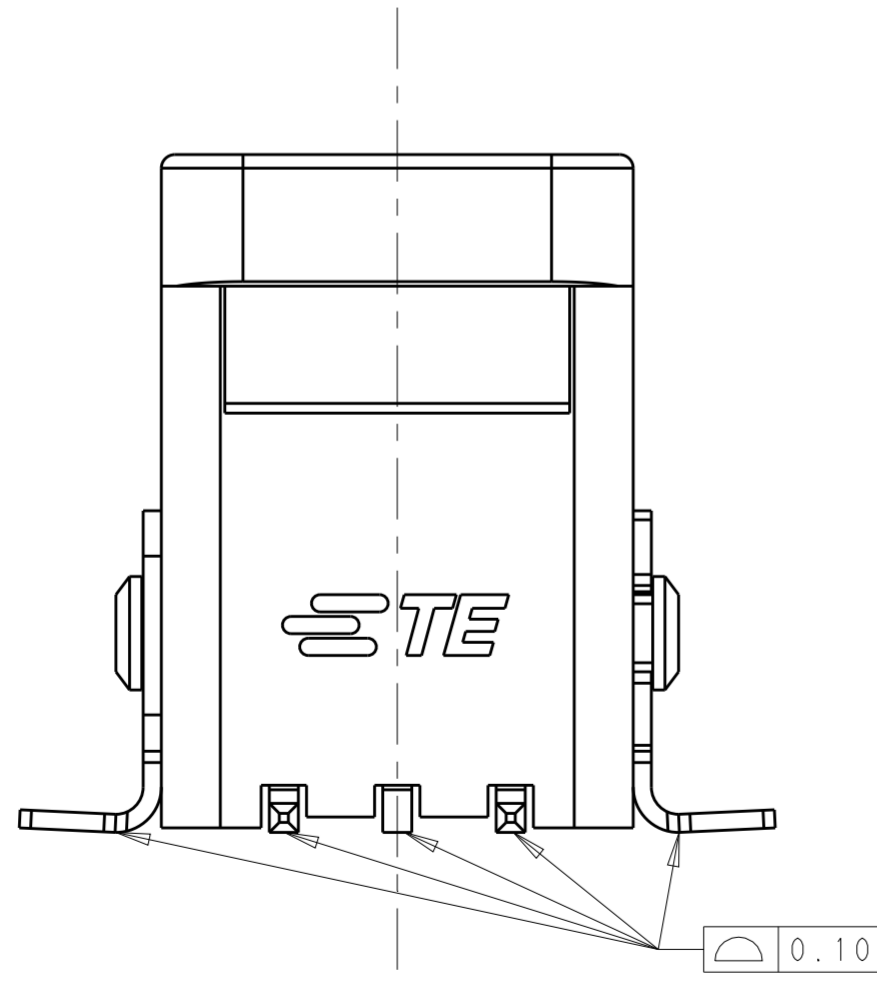
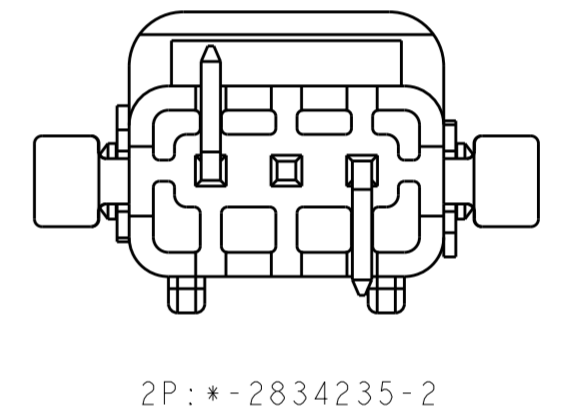
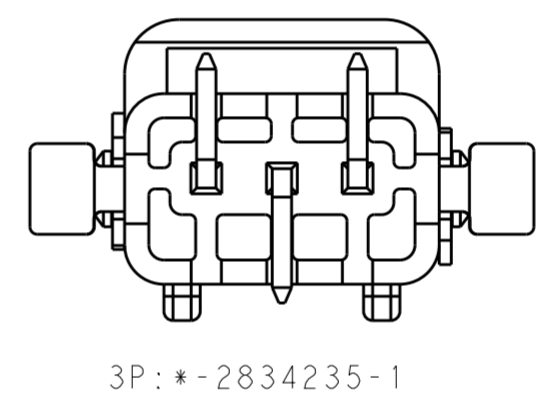
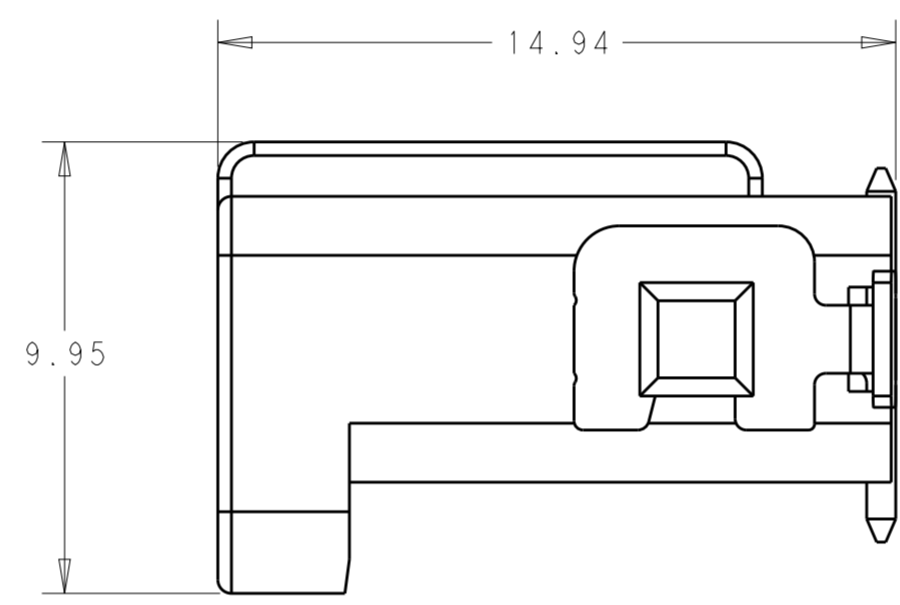
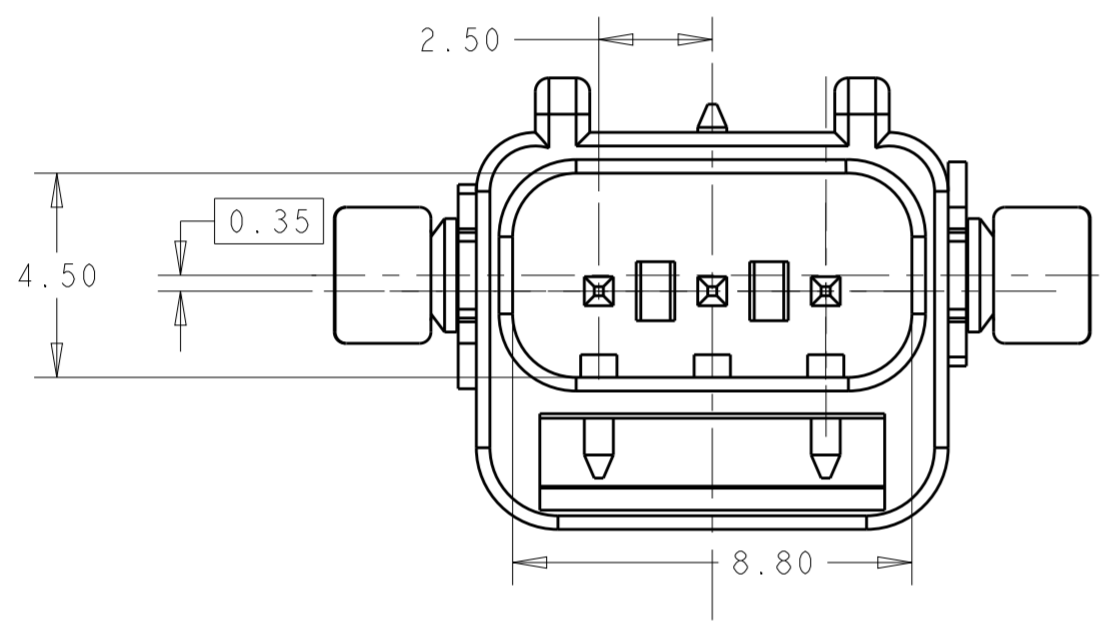


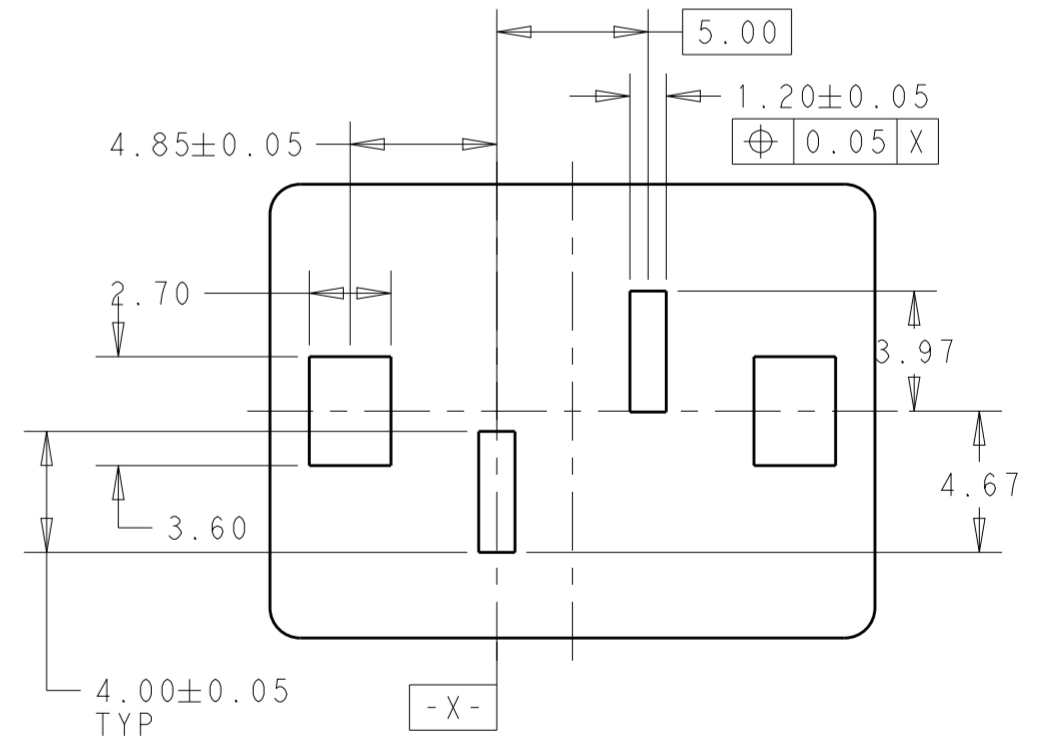
REVISIONS					
P	LTR	DESCRIPTION	DATE	DWN	APVD
A1		UPDATE THE PAD WIDTH TO 1.20mm	26MAY2017	G.F	S.M
A2		ECR-17-015236 UPDATE PART NO	16OCT2017	G.F	S.M
A3		ECR-18-009817 ADD CAP	31MAY2018	G.F	S.M
A4		ECR-19-007482 ADD NEW P/N	14MAY2019	G.F	S.M



- NOTES :
- MATERIALS AND FINISH:
 - HOUSING: LCP
 - CONTACTS: COPPER ALLOY, FINISH: TIN OVER NICKEL UNDERPLATE
 - MUST COMPLY WITH DIRECTIVE 2002/95/EC (ROHS)
 - PACKAGED IN TAPE AND REEL



3P LAYOUT FOR *-2834235-1



2P LAYOUT FOR *-2834235-2

RED	3-2834235-2	2P
BLACK	2-2834235-2	
NATURAL	1-2834235-2	
RED	3-2834235-1	3P
BLACK	2-2834235-1	
NATURAL	1-2834235-1	
COLOR	P/N	POSITION

SCALE 6:1

THIS DRAWING IS A CONTROLLED DOCUMENT.		DWN GEORGE FU 16OCT2017	TE Connectivity	
DIMENSIONS: mm		CHK GEORGE FU 16OCT2017		
TOLERANCES UNLESS OTHERWISE SPECIFIED:		APVD SHI MING 16OCT2017		
0 PLC ± 1 PLC ±0.2 2 PLC ±0.15 3 PLC ± 4 PLC ± ANGLES ± FINISH		PRODUCT SPEC 108-137266 APPLICATION SPEC 114-137266 WEIGHT -		
MATERIAL NOTE1		NAME 2.5MM VERTICAL SMT TYPE WT8 CONNECTOR		RESTRICTED TO
CUSTOMER DRAWING		SIZE A2	CAGE CODE -	DRAWING NO. C-2834235
		SCALE 5:1	SHEET 1 OF 1	REV A4