

1

2

3

4

5



Specifications:

Current Rating:1.8A AC/DC(VBUS&GND)  
0.25A AC/DC(Others)

Low Level Contact Resistance:30m ohm. Max.

30m ohm Max. initial(VBUS and GND)

50m ohm Max. initial(Others)

Insulation Resistance:1000M ohm. Min.

Withstanding Voltage:AC 500V r.m.s

Operating Temperature Range:-40°C ~ +105°C

Materials:

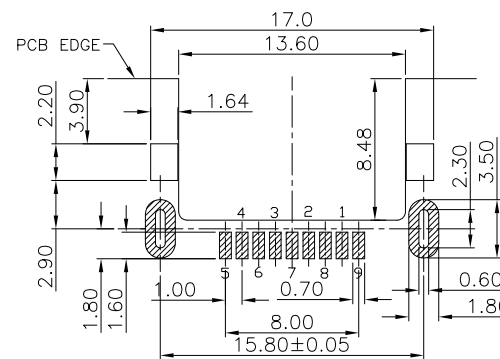
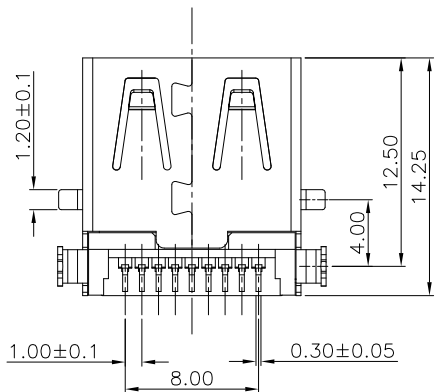
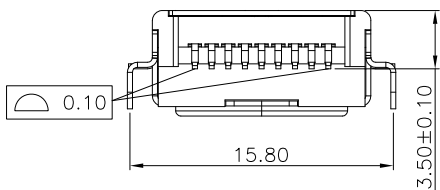
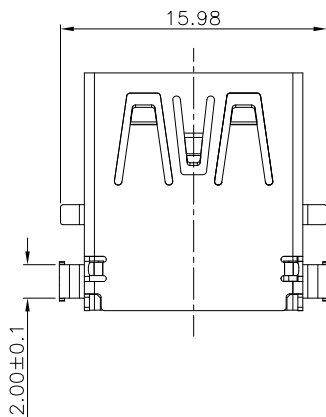
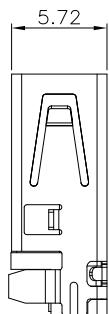
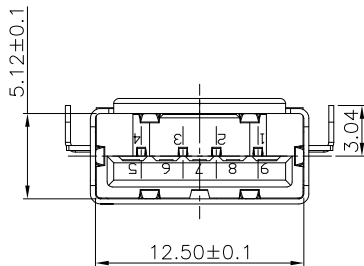
Insulator:LCP(UL94V-0)

Insulator Color:Blue

Contact:Phosphor Bronze

Plating:15u" Gold Plated on Contact Area,  
Tin Plated on Solder Tail.

Shell:Brass, Nickel Plated



PCB Layout

RoHS Compliant

REV	DATE	FILE	BY

DRAWN:
CHECKED:
APPROVAL:

GENERAL TOLERANCE: .X=±0.20 .XX=±0.15
UNIT: MM
SCALE:1:1
SHEET: 1 / 2
PROJECTION:

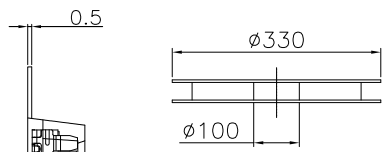
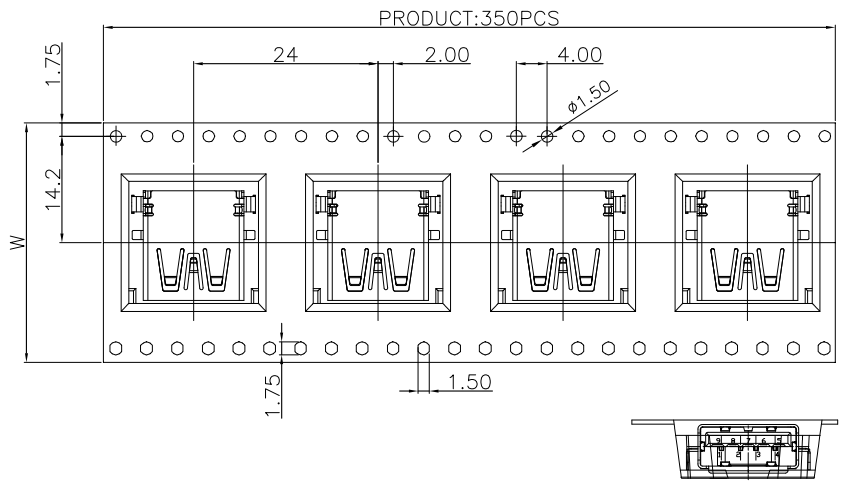
<b>CnC Tech</b> Industrial Cable and Connector Technology	
DESCRIPTION: <b>USB 3.0 SMD R/A Type Receptacle, 15u"</b>	SIZE <b>A4</b>
PART NO: <b>1003-002-01100-TR</b>	

A

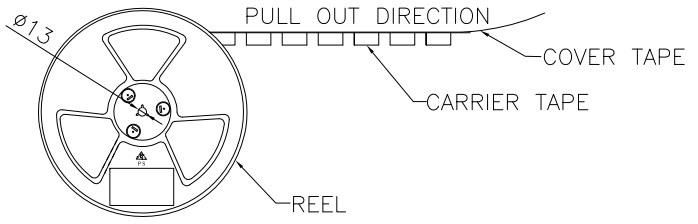
B

C

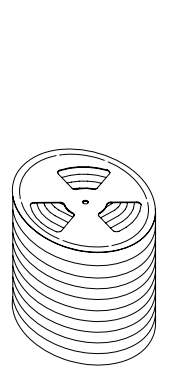
D



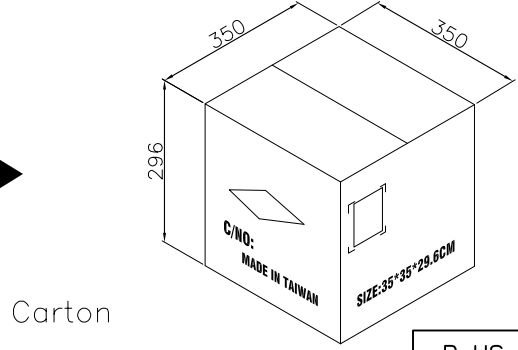
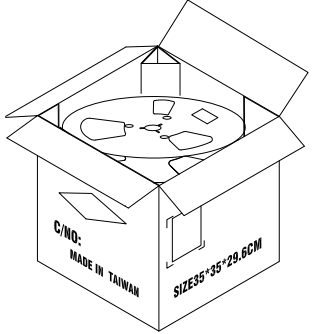
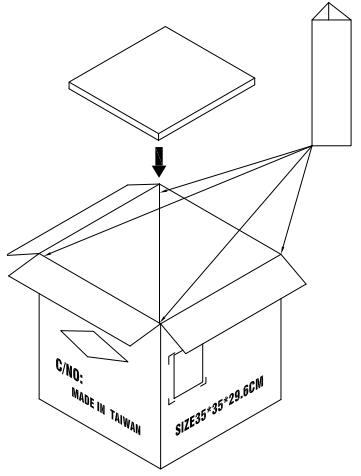
Note:  
 1.Dimension:  
 Carton Size:350X350X296 (mm)  
 2.Qunntity:  
 350 Pcs/R  
 7 R/Carton  
 Q'TY: 2450pcs



Pin. NO	W	Pcs/R	R/Carton	Q'TY
09	32	350	7	2450



7/Reel



Carton

RoHS Compliant

REV	DATE	FILE	BY

DRAWN:  
 CHECKED:  
 APPROVAL:

GENERAL TOLERANCE:  
 .X=±0.20  
 .XX=±0.15  
 UNIT: MM  
 SCALE:1:1  
 SHEET: 2 / 2  
 PROJECTION:

**CnC Tech**  
 Industrial Cable and Connector Technology  
 DESCRIPTION:  
**USB 3.0 SMD R/A Type Receptacle, 15u"**  
 PART NO:  
**1003-002-01100-TR**

SIZE  
**A4**