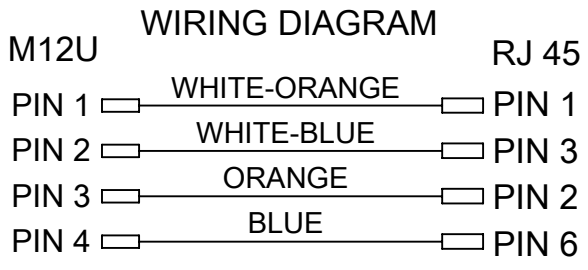
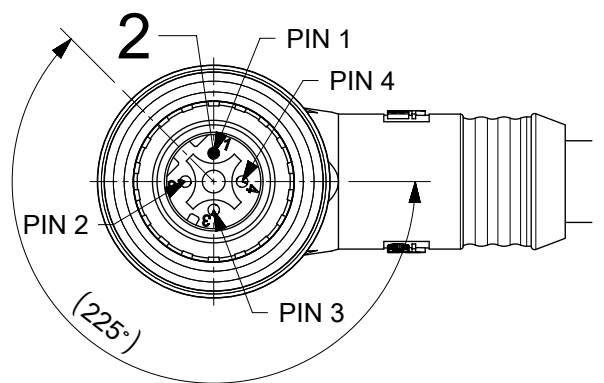
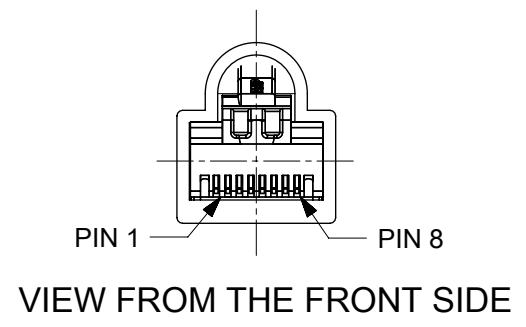
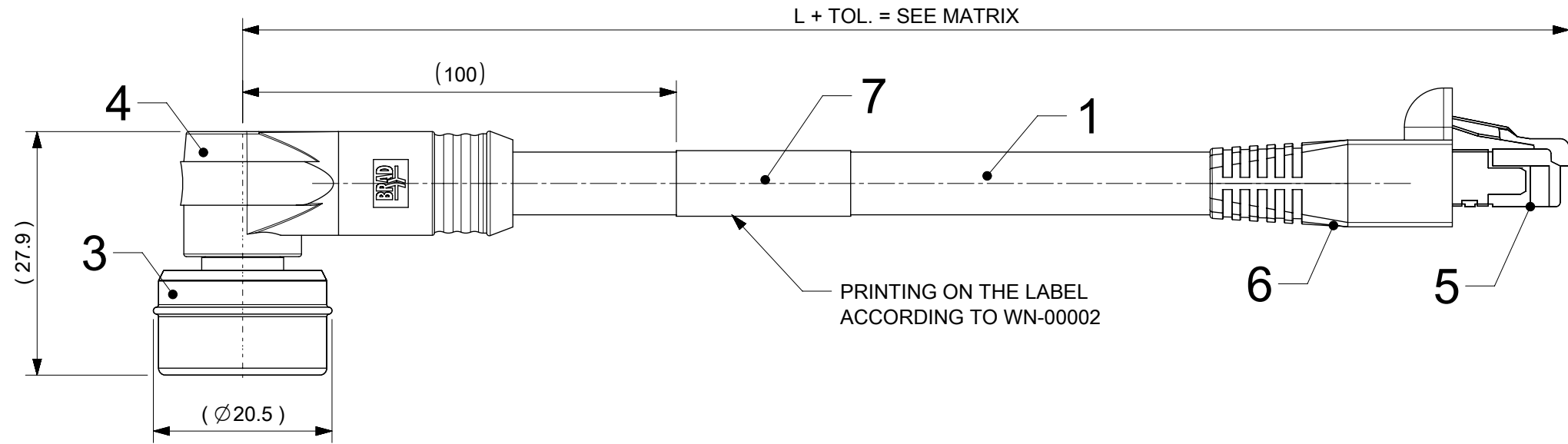
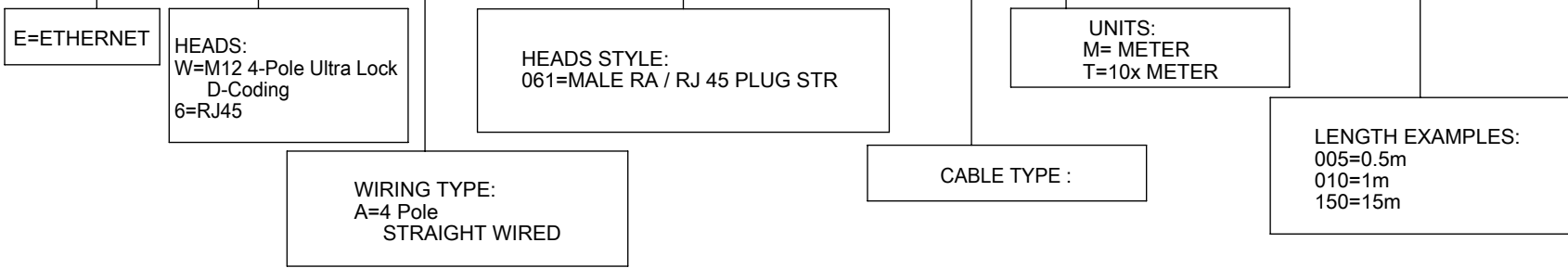


# PART NO MATRIX

**E W 6 A 0 6 1 0 2 M X X X**



### BOM

ITEM	QTY.	DESCRIPTION	MATERIAL	FINISH/COLOR
7	1	WRAP LABEL	VINYL	YELLOW
6	1	STRAIN RELIEF BOOT	-	BLACK
5	1	RJ45-PLUG	-	-
4	-	MOULDING MATERIAL	PUR	BLACK
3	1	MIC 3P MALE ULOCK ASSEMBLY	-	-
2	4	CONTACT MALE	BRASS	GOLD OVER Ni-PLATED
1	-	CABLE ETHERNET CAT5E	PVC	TEAL

### PART LIST

SL. NO	MOLEX PN	ENGINEERING NO.	LENGTH (mm)
1	1201080336	EW6A06102M020	2000
2	1201080338	EW6A06102M060	6000
3	1201080339	EW6A06102M100	10000
4	1201080337	EW6A06102M150	15000
5	1201080340	EW6A06102M200	20000
6	1201080341	EW6A06102M300	30000
7	1201080342	EW6A06102M400	40000
8	1201080343	EW6A06102M500	50000
9	1201088202	EW6A06102M900	90000
10	1201088203	EW6A06102T100	100000

NOTES :

ELECTRICAL DATA :  
 ACCORDING TO CAT5e  
 VOLTAGE RATING : 30V  
 AMPERAGE RATING : 1.5A  
 INSULATION RESISTANCE : 10<sup>9</sup>Ω MIN.  
 MATING CYCLES : MIN. 100

ENVIRONMENTAL :  
 PROTECTION CLASS RJ45 : IP20  
 PROTECTION CLASS M12 : IP67/IP68/IP69K IN MATED AND LOCKED POSITION  
 OPERATING TEMPERATURE : -25°C TO +80°C

### TABLE OF LENGHT TOLERANCES (mm)

OVER	UP TO AND INCLUDING	TOLERANCE
0	305	+19
305	915	+45
915	1830	+56
1830	3660	+89
3660	7320	+165
7320	14640	+317
14640	30500	+610
30500	>	+2% OF LENGTH

THIS DRAWING CONTAINS INFORMATION THAT IS PROPRIETARY TO MOLEX ELECTRONIC TECHNOLOGIES, LLC AND SHOULD NOT BE USED WITHOUT WRITTEN PERMISSION

FUNCTIONAL SYMBOLS:  $\nabla/A = 0$ ,  $\nabla/E = 0$ ,  $\nabla/F = 0$

DIVISIONAL SYMBOLS:  $\nabla/A = 0$ ,  $\nabla/E = 0$ ,  $\nabla/F = 0$

THIS DRAWING DIMENSION UNITS: mm SCALE: 3:2

GENERAL TOLERANCES (UNLESS SPECIFIED):  
 ANGULAR TOL ± 0.5°  
 4 PLACES ±  
 3 PLACES ±  
 2 PLACES ± 0.13  
 1 PLACE ± 0.25  
 0 PLACES ±

DRAFT WHERE APPLICABLE MUST REMAIN WITHIN DIMENSIONS

THIRD ANGLE PROJECTION:

DRAWING: A3-SIZE

SERIES: 120108

MATERIAL NUMBER: SEE PART LIST

CUSTOMER: GENERAL MARKET

SHEET NUMBER: 1 OF 1

EC NO: 715590  
 DRWN: MDHARMANTI 2022/02/25  
 CHK'D: RSILLER 2022/07/27  
 APPR: RSILLER 2022/07/27

INITIAL REVISION:  
 DRWN: MDHARMANTI 2022/01/19  
 APPR: RSILLER 2022/02/15

CURRENT REV DESC: PROTECTION CLASS UPDATED

**molex**

CSE U12 4P AC MA RA PVC RJ45 CAT5E

PRODUCT CUSTOMER DRAWING

DOCUMENT NUMBER: 1201080336  
 DOC TYPE: PSD  
 DOC PART: 000  
 REVISION: A1