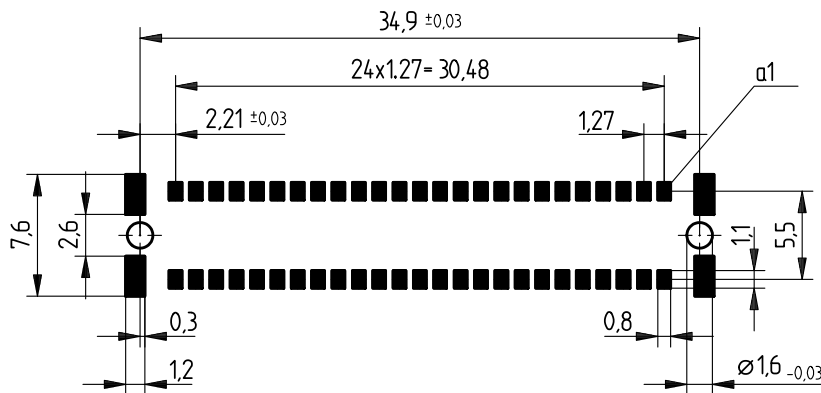
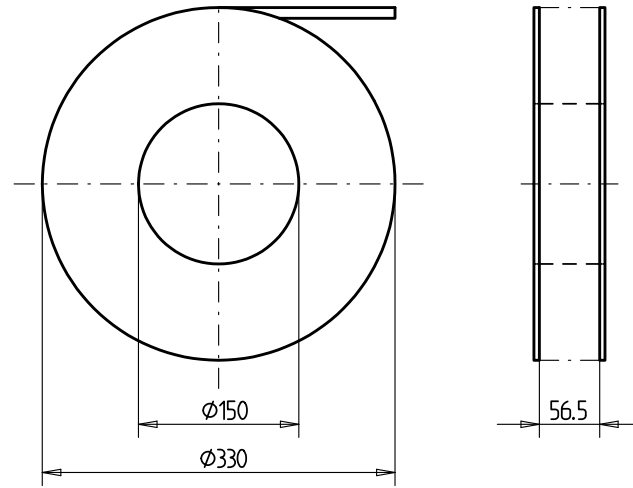


Anforderungsstufe 1
 Performance Level 1
 Kontaktbereich vergoldet
 Mating Area gold plating
 Anschlussbereich verzinkt 4-6 µm
 Terminal Area 4-6 µm tin plating
 Koplانarität der Anschlüsse ≤ 0.1mm
 Coplanarity Area of Termination ≤ 0.1 mm

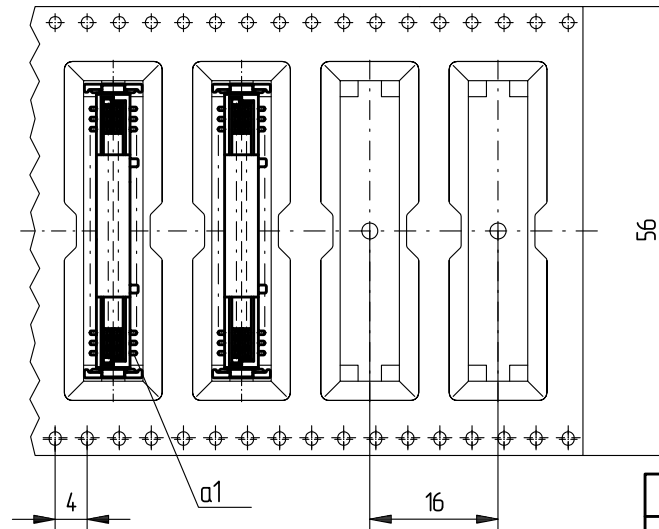
Leiterplatten-Layout Vorschlag für SMT
 PCB-Layout Proposal for SMT



Verpackt in Gurtverpackung - Tape on Reel Packaging
 Verpackungseinheit: 280 Stück - Packaging unit: 280 pcs



Abspulrichtung - Reel off Direction



Standard Bauhöhe, BA 6
 Standard Assembly Height, BA 6

Information:	Tolerances	Scale 3:1	Designation Federleiste SMC-B, 50 polig Fem. Conn. SMC-B, 50 contacts
	All rights reserved. Only for information. To insure that this is the latest version of this drawing, please contact one of the ERNI companies before using.		
Consider protection memo from DIN 34	Subject to modification without prior notice. Drawing will not be updated.	www.ERNI.com	124045
b	13.02.2008	0:00064899.SZA	SMCB
Index	Date		