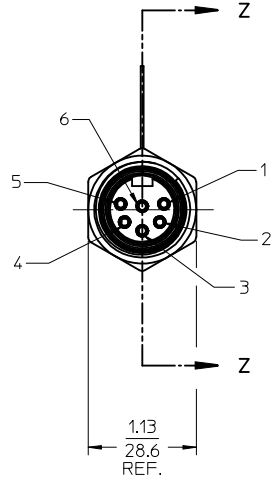
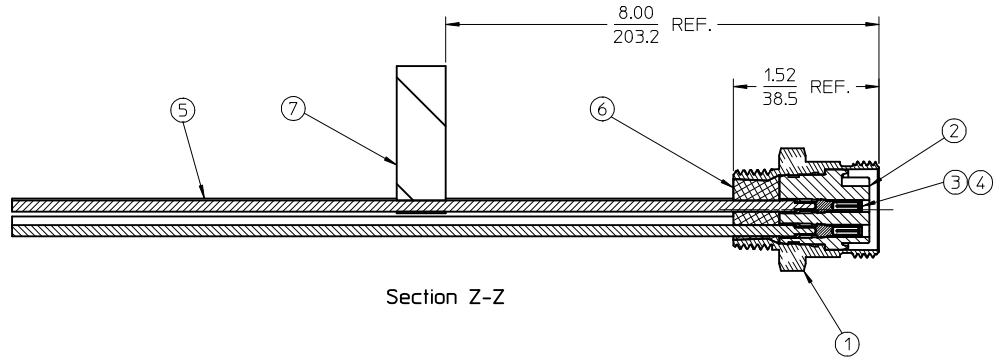
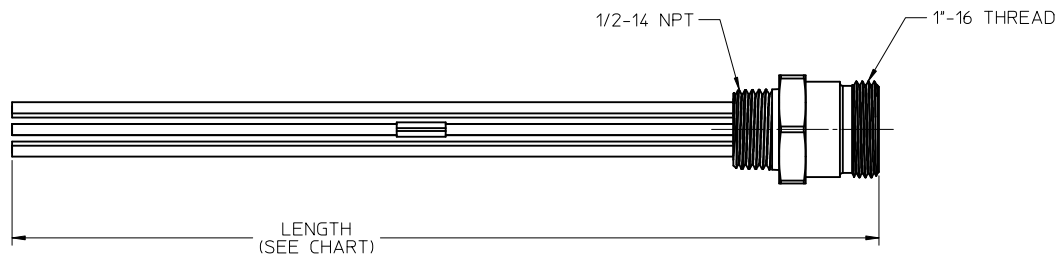
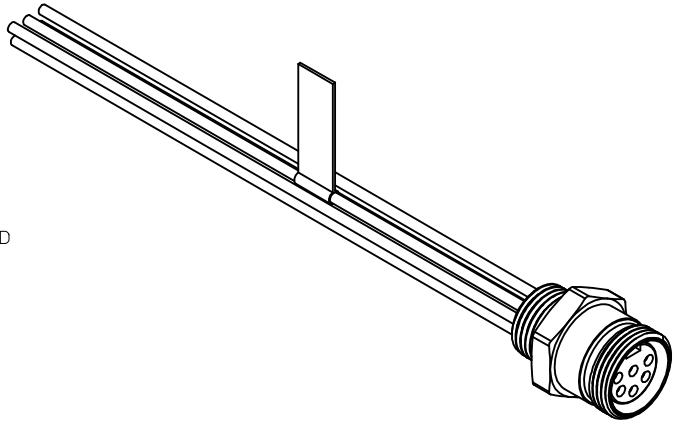
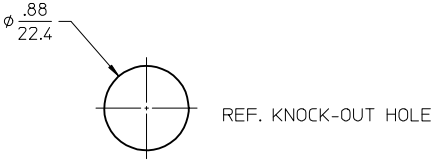


MATERIAL NO.	ENGINEERING NO.	LENGTH
1300140015	2R6004A20A120	12' +.75-0 [305mm +19.0-0]
1300140017	2R6004A20F030	3'0' +1.75-0 [.9M +44.5-0]
1300140019	2R6004A20F060	6'0' +2.19-0 [1.8M +55.6-0]



1	ORANGE
2	BLUE
3	BLACK
4	WHITE
5	RED
6	GREEN/YELLOW

- NOTES:
 1. MATERIAL: SEE TABLE
 2. FINISHES: SEE TABLE
 3. MATES WITH: 6/C MINI-CHANGE CORD ASSY.
 4. ELECTRICAL SPECIFICATIONS:
 VOLTAGE RATING: 600V AC/DC
 CURRENT RATING: 8 AMPS
 5. RoHS COMPLIANT

ITEM	QTY.	DESCRIPTION	MATERIAL	FINISH
7	1	LABEL	PLASTIC FILM	BLACK/YELLOW
6	1	POTTING	EPOXY	
5	6	WIRE, 16 AWG (UL 1015)	PVC INSULATED	SEE WIRE DIAGRAM
4	6	SOCKET SLEEVE	ST. STEEL	
3	6	CONTACT SOCKET	BRASS	GOLD PLATED
2	1	INSERT	PVC	YELLOW
1	1	RECEPTACLE SHELL	ZINC ALLOY	E-COAT, BLACK

RELEASED
 EC NO: MNA2009-0655
 DRAWN BY: DRWINRSTONE 2009/04/03
 CHKD BY: WOODMAN
 APPR: J. MURPHY 2009/04/08

QUALITY SYMBOLS
 $\nabla=0$
 $\nabla=0$

GENERAL TOLERANCES (UNLESS SPECIFIED)

	mm	INCH
4 PLACES	$\pm .005$	$\pm .0005$
3 PLACES	$\pm .005$	$\pm .0005$
2 PLACES	$\pm .01$	$\pm .001$
1 PLACE	± 0.3	$\pm .012$

ANGULAR $\pm 1/2^\circ$

DRAFT WHERE APPLICABLE
 MUST REMAIN
 WITHIN DIMENSIONS

DIMENSION STYLE
 IN/MM

DRAWN BY: R. STONE DATE: 2009/04/03
 CHECKED BY: B. WOODMAN DATE: 2009/04/03
 APPROVED BY: J. MURPHY DATE: 2009/04/07

MATERIAL NO.
SEE CHART

SIZE
 C

SCALE 1:1
 DESIGN UNITS INCH
 THIRD ANGLE PROJECTION

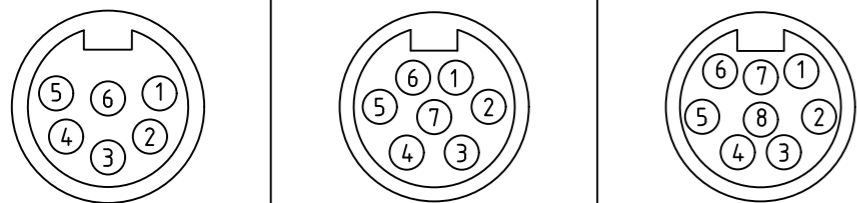
TITLE
**MINI-CHANGE RECEPTACLE
 FEMALE, 6 POLE
 1/2 IN NPT**

MOLEX INCORPORATED

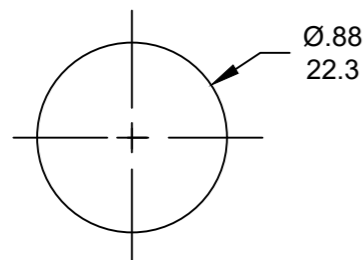
DOCUMENT NO. SD-130014-002
 SHEET NO. 1 OF 1

THIS DRAWING CONTAINS INFORMATION THAT IS PROPRIETARY TO MOLEX INCORPORATED AND SHOULD NOT BE USED WITHOUT WRITTEN PERMISSION

FACE VIEW-FEMALE INSERT



- | | | |
|---|--|---|
| 1 ORANGE
2 BLUE
3 BLACK
4 WHITE
5 RED
6 GREEN/YELLOW | 1 WHITE/BLACK
2 BLACK
3 WHITE
4 RED
5 ORANGE
6 BLUE
7 GREEN/YELLOW | 1 ORANGE
2 BLUE
3 WHITE/BLACK
4 BLACK
5 WHITE
6 RED
7 GREEN/YELLOW
8 RED/BLACK |
|---|--|---|



REF. KNOCKOUT HOLE

- NOTES:
- MATERIAL: AS NOTED
 - FINISH: AS NOTED
 - ELECTRICAL:
VOLTAGE: 6 THRU 8P 600V PER UL 2238
6P 400V PER IEC 60664
7 & 8P 320V PER IEC 60664
CURRENT: 6 & 7 POLE: 8A
8 POLE: 7A
 - TEMP RATING: -20°TO +105°C
 - PROTECTION: IP67 (WHEN MATED)
 - UL RECOGNIZED, FILE: E152210
CSA CERTIFIED, FILE: LR6837 (B)
 - ALL DIMENSIONS ARE FOR REFERENCE UNLESS TOLERANCED OR NOTED OTHERWISE

PART NO. MATRIX

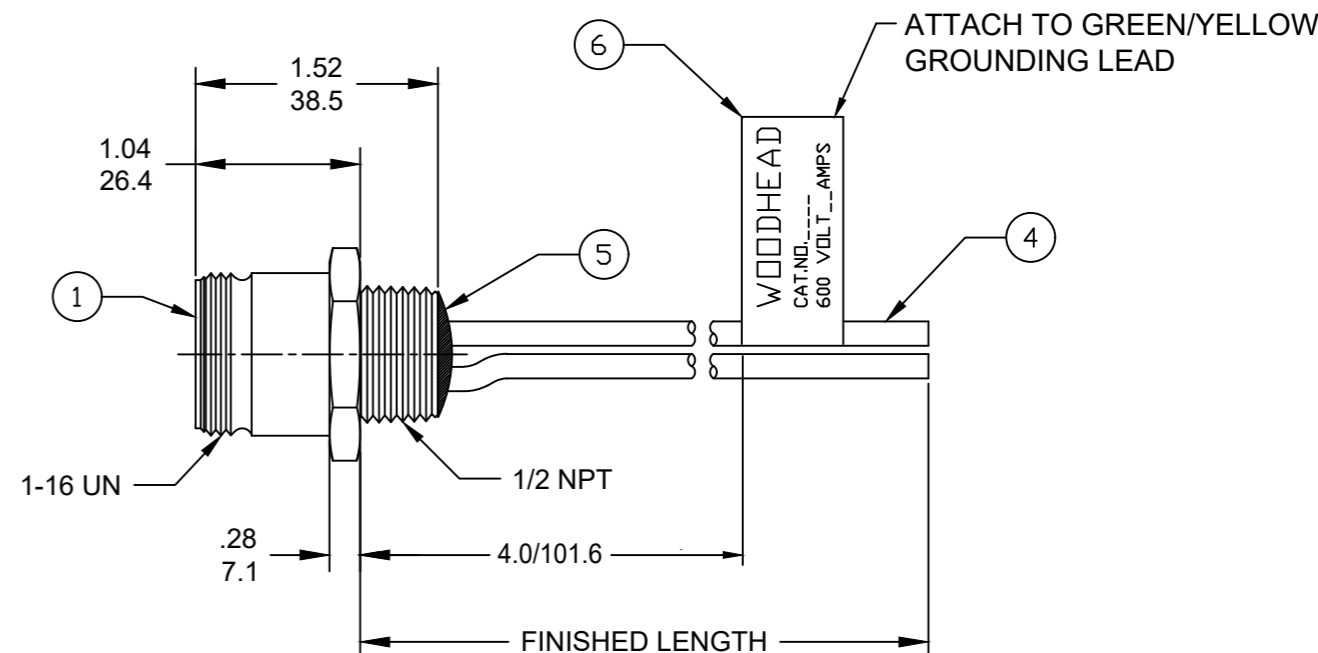
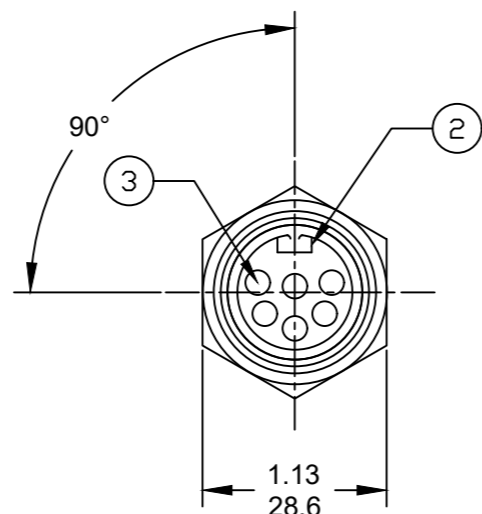
2R8004A20M005

POLES
6-8

FINISHED LENGTH:
A120= 12 IN.
F020= 2 FEET
F200= 20 FEET

M005= 0.5 METER
M010= 1 METER
M100= 10 METER

CABLE LENGTH TOLERANCES
>.3M [1FT]: +19mm-0 [+.75in-0]
.3 - .9M [1 - 3FT]: +44.5mm-0 [+1.75in-0]
.9 - 1.8M [3 - 6FT]: +55.6mm-0 [+2.19in-0]
1.8 - 3.7M [6 - 12FT]: +88.9mm-0 [+3.50in-0]
3.7 - 7.3M [12 - 24FT]: +165.1mm-0 [+6.50in-0]
7.3-14.6M [24 - 48FT]: +317.5mm-0 [+12.50in-0]
14.6 - 30.5M [48-100FT]: +622.3mm-0 [+24.50in-0]
OVER 30M [100FT] +2% OF FINISHED LENGTH



(B) PART NO	ENGINEERING NO.	FINISHED LENGTH
1300140015	2R6004A20A120	12 IN [0.3M]
1300140042	2R7004A20F060	6 FT [1.8M]
1300140158	2R8004A20M040	4.0M [13 FT 1 IN]

ITEM	COMPONENT	MATERIAL	FINISH
6	FLAG LABEL	VINYL	BLACK/YELLOW
5	POTTING MATERIAL	EPOXY	
4	WIRE, 16 AWG UL (1015)	PVC INSULATION	SEE FACE VIEW
3	CONTACT SOCKET	COPPER ALLOY	GOLD PLATED
2	INSERT	TPE	YELLOW
1	RECEPTACLE SHELL	ZINC DIE-CAST	BLACK

FUNCTIONAL SYMBOLS	THIS DRAWING CONTAINS INFORMATION THAT IS PROPRIETARY TO MOLEX ELECTRONIC TECHNOLOGIES, LLC AND SHOULD NOT BE USED WITHOUT WRITTEN PERMISSION			
	DIMENSION UNITS	SCALE		
$F_A=0$ $F_C=0$ $F_P=0$	INCH/MM	---	CURRENT REV DESC: ITEM #2 WAS PVC, CSA ADDED IN NOTES & MATERIAL TABLE MODIFIED EC NO: 641453 DRWN: ABENJAMINLW 2020/05/18 CHK'D: RSTONE 2020/07/20 APPR: BWOODMAN 2020/07/27	
	GENERAL TOLERANCES (UNLESS SPECIFIED)			
DIVISIONAL SYMBOLS	4 PLACES	±---	INITIAL REVISION: DRWN: RSTONE 2016/12/07 APPR: BWOODMAN 2017/01/16	
	3 PLACES	±---		
ANGULAR TOL ± --- °		DRAFT WHERE APPLICABLE MUST REMAIN WITHIN DIMENSIONS		THIRD ANGLE PROJECTION
DRAWING		SERIES	MATERIAL NUMBER	CUSTOMER
B-SIZE		130014	SEE_CHART	GENERAL MARKET
SHEET NUMBER		DOCUMENT NUMBER		DOC TYPE/DOC PART/REVISION
1 OF 1		SD-130014-009		PSD 001 B