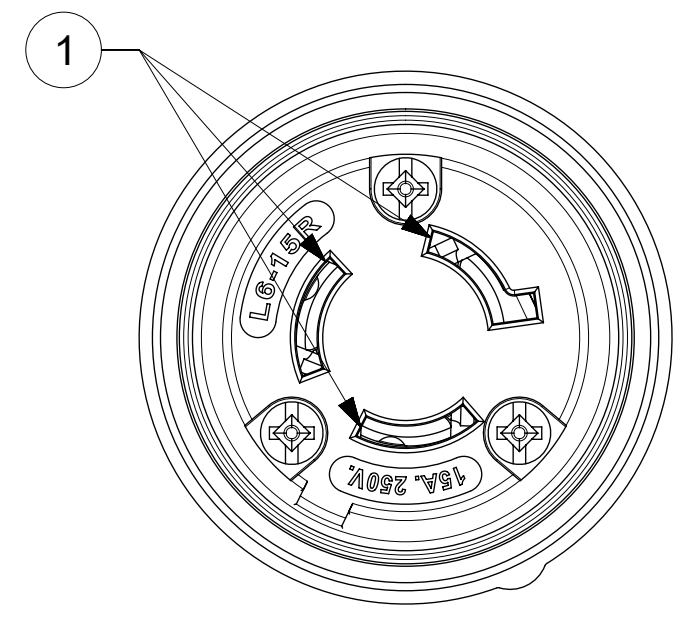
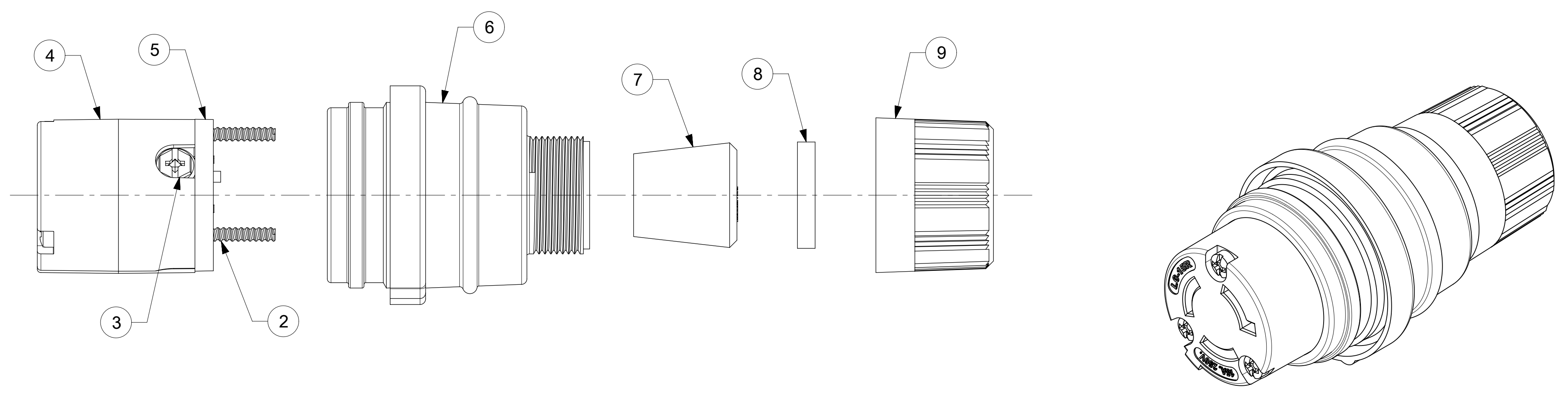
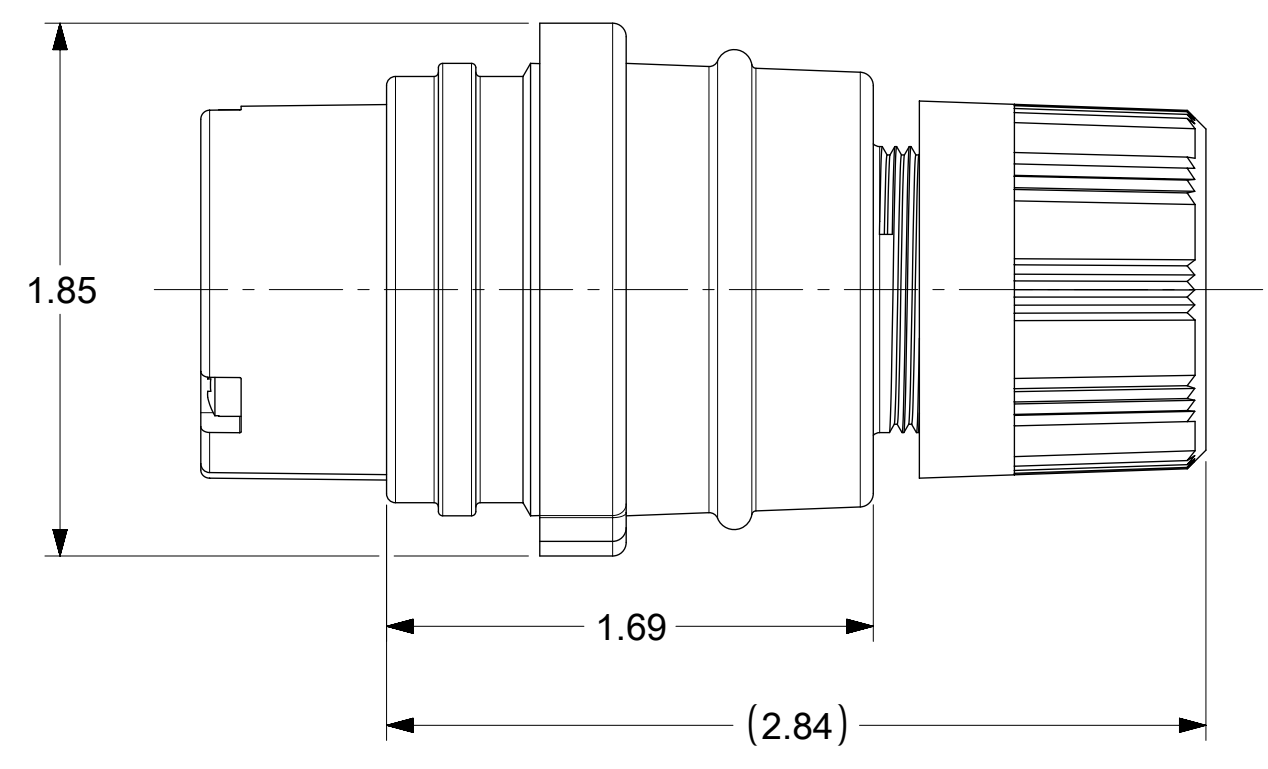


| | | |
|-------------|--------------|--------|
| ORDER NO. | WOODHEAD NO. | COLOR |
| 130146-0223 | 25W49MB-P | YELLOW |



FACE VIEW



NOTES:
 1. SEE INSTRUCTION SHEET NUMBER 1301414770 FOR PRODUCT SPECIFICATION.
 2. CABLE RANGE FROM 0.375" TO 0.625"

| ITEM NO. | DESCRIPTIONS | MATERIAL | QTY. |
|----------|------------------|--------------------------|------|
| 1 | BLADES | BRASS | 3 |
| 2 | RETAINING SCREWS | STAINLESS STEEL | 3 |
| 3 | TERMINAL SCREWS | BRASS, ZINC PLATED | 3 |
| 4 | INSERT | NYLON | 1 |
| 5 | TERMINAL COVER | POLYCARBONATE | 1 |
| 6 | HOUSING | RUBBER WITH NYLON THREAD | 1 |
| 7 | GROMMETS | RUBBER | 5 |
| 8 | FRICTION RING | NYLON | 1 |
| 9 | COMPRESSION NUT | NYLON | 1 |

| | | | | | | | |
|---------|------------------|---|--|----------------------------|-----------------------------|--------------|-----------------------------|
| SYMBOLS | | THIS DRAWING CONTAINS INFORMATION THAT IS PROPRIETARY TO MOLEX ELECTRONIC TECHNOLOGIES, LLC AND SHOULD NOT BE USED WITHOUT WRITTEN PERMISSION | | CURRENT REV DESC: RELEASED | | molex | |
| ▽ = 0 | INCH | NTS | GENERAL TOLERANCES (UNLESS SPECIFIED) | | EC NO: 613684 | | |
| ▽ = 0 | 4 PLACES ± | | ANGULAR TOL ± 0.5° | | DRWN: ABABU01 2018/11/27 | | WATERTITE CONNECTOR, L6-15R |
| ▽ = 0 | 3 PLACES ± 0.005 | | DRAFT WHERE APPLICABLE MUST REMAIN WITHIN DIMENSIONS | | CHK'D: DNGUYEN62 2019/03/15 | | |
| ▽ = 0 | 2 PLACES ± 0.01 | | THIRD ANGLE PROJECTION | | APPR: HKNEELAND 2019/03/21 | | PRODUCT CUSTOMER DRAWING |
| ▽ = 0 | 1 PLACE ± 0.02 | | DRAWING | | INITIAL REVISION: | | |
| ⊠ = 0 | 0 PLACES ± | | SERIES | | DRWN: ABABU01 2018/11/27 | | DOCUMENT NUMBER |
| ■ = 0 | C-SIZE | | 130146 | | APPR: HKNEELAND 2019/03/21 | | 1301460223 |
| ▽ = 0 | SEE TABLE | | GENERAL MARKET | | MATERIAL NUMBER | | DOC TYPE |
| | | | | | | PSD | |
| | | | | | | 000 | |
| | | | | | | A | |
| | | | | | | SHEET NUMBER | |
| | | | | | | 1 OF 1 | |