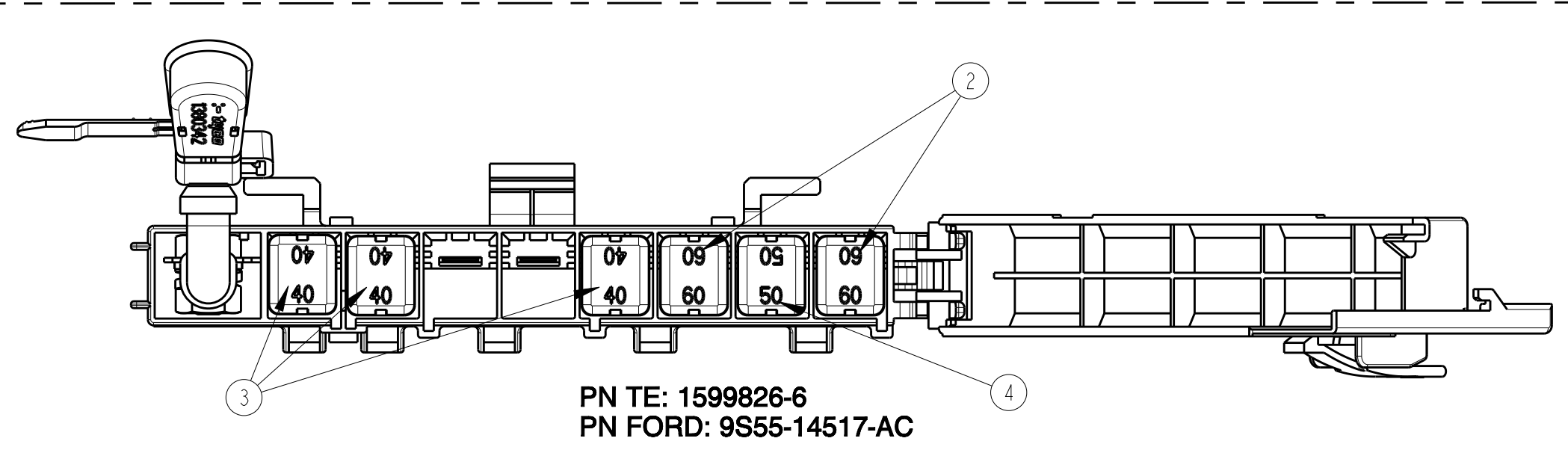
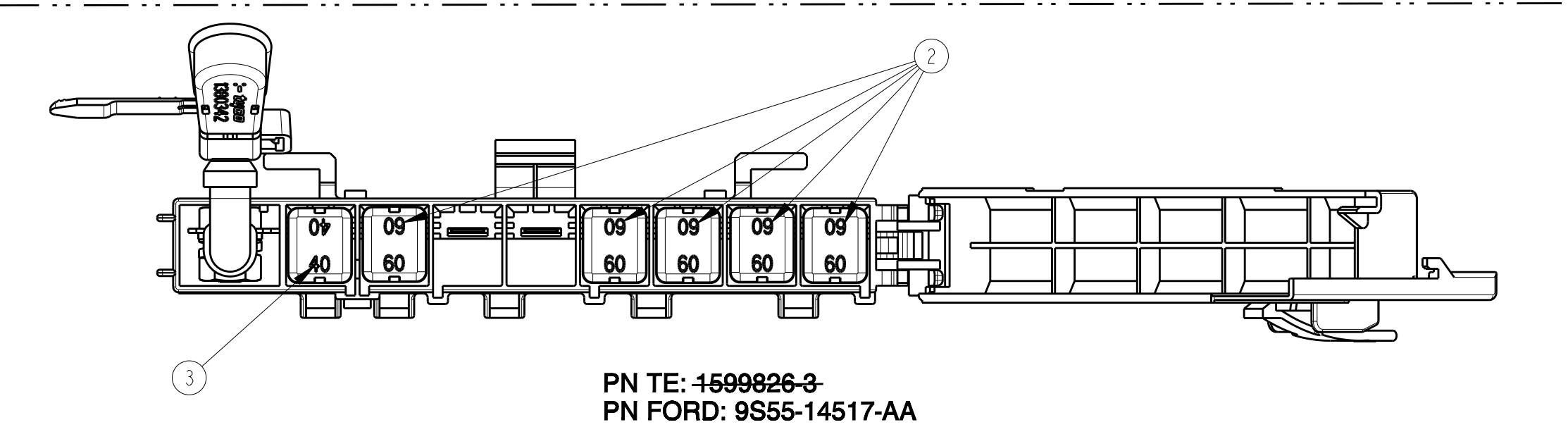
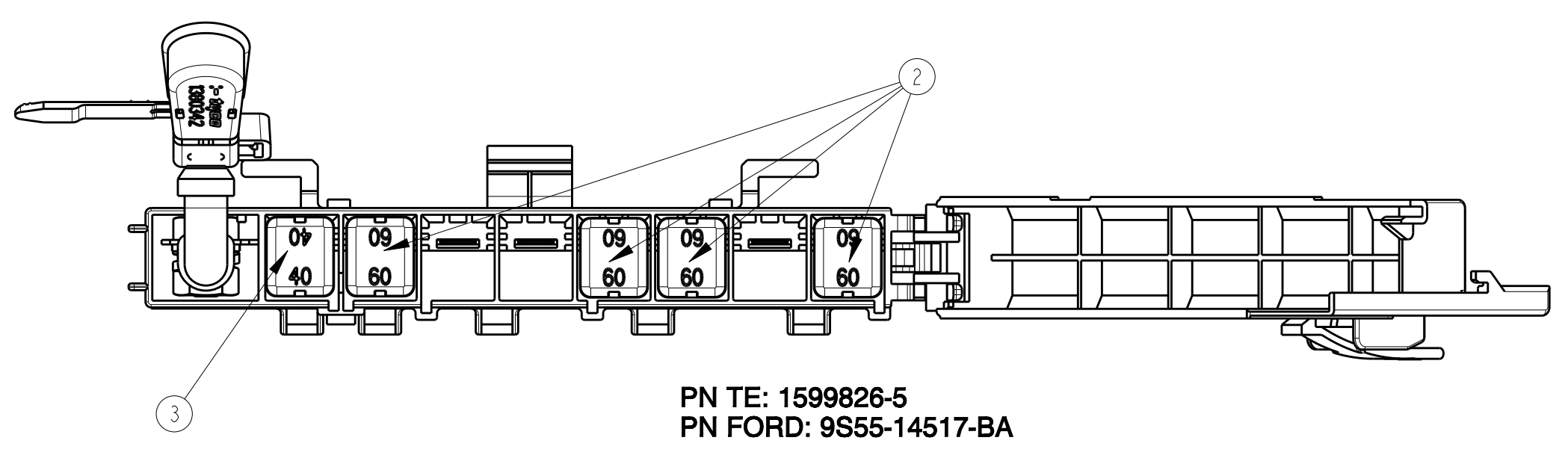
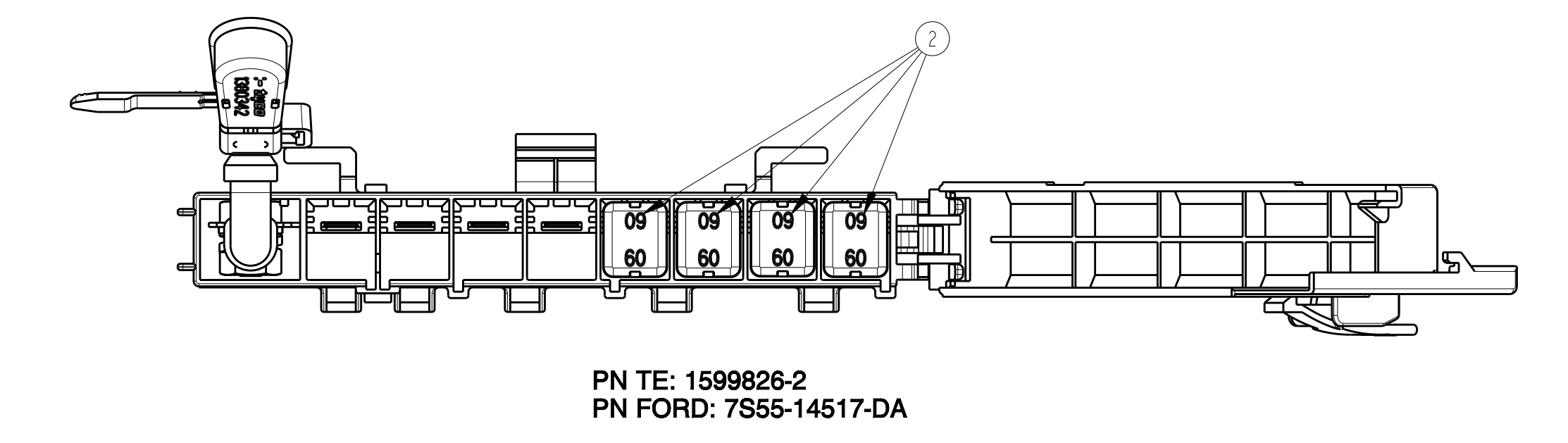
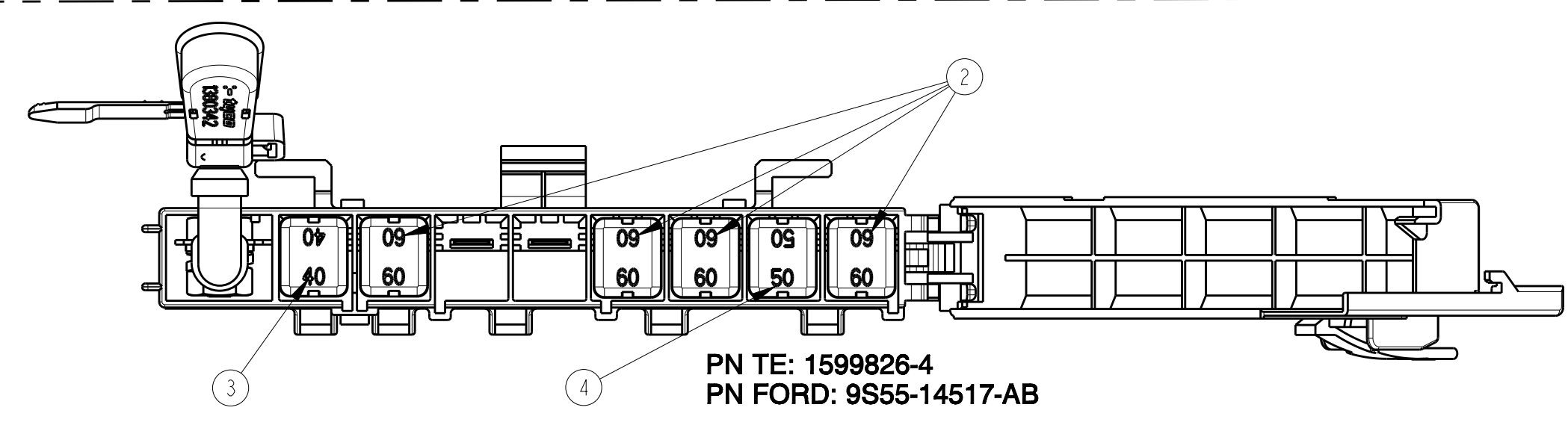
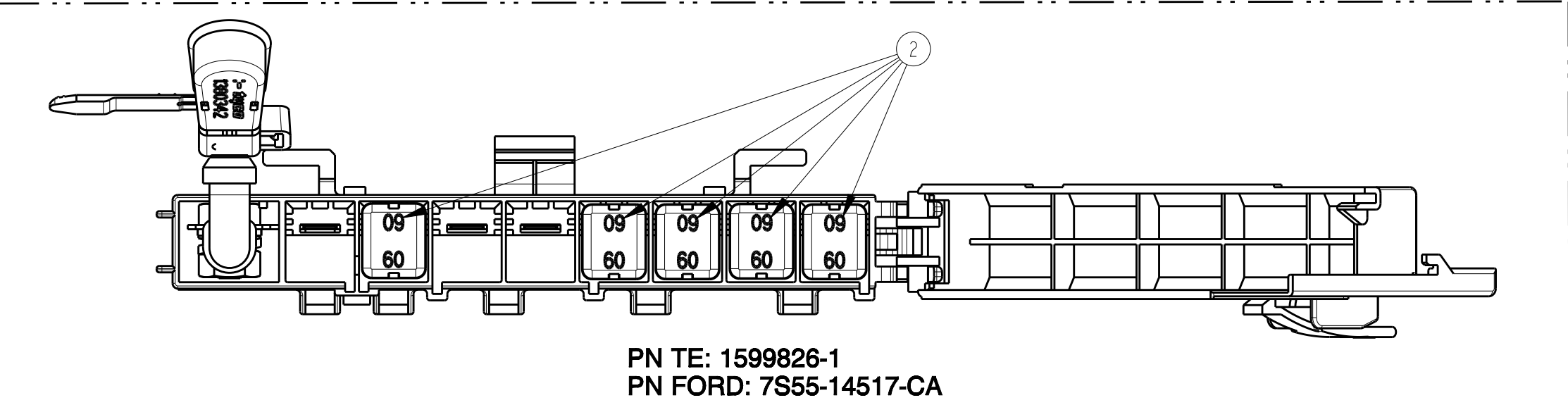
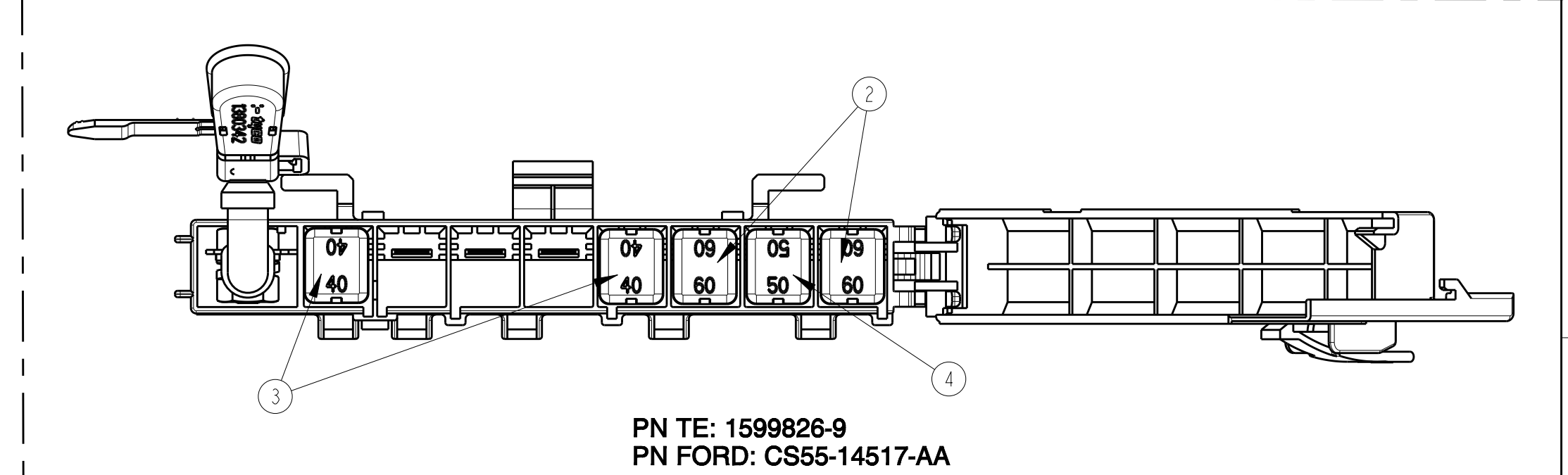
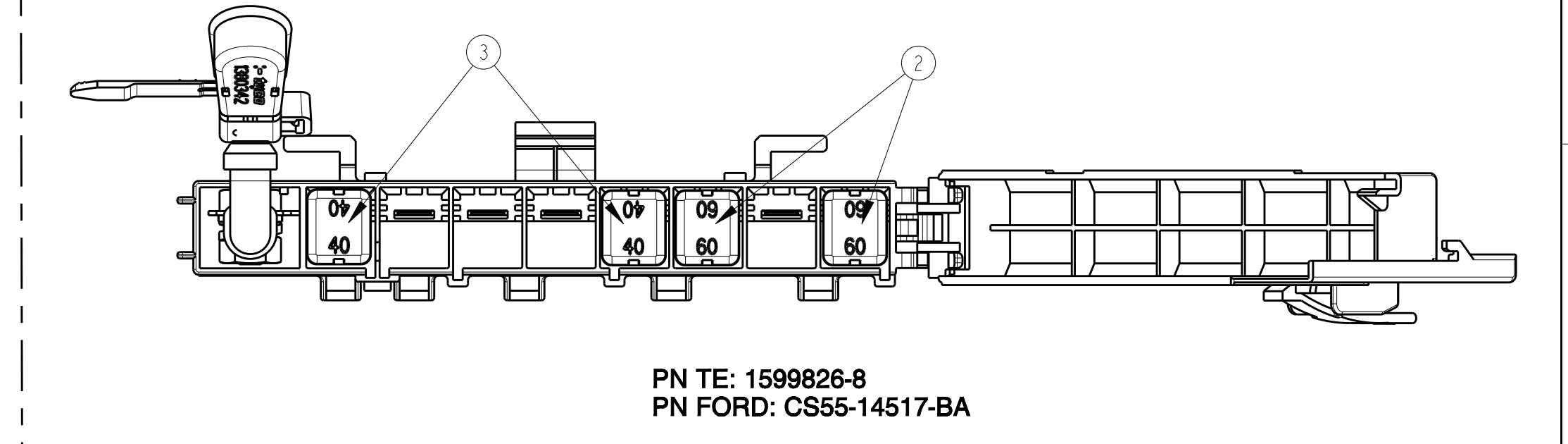
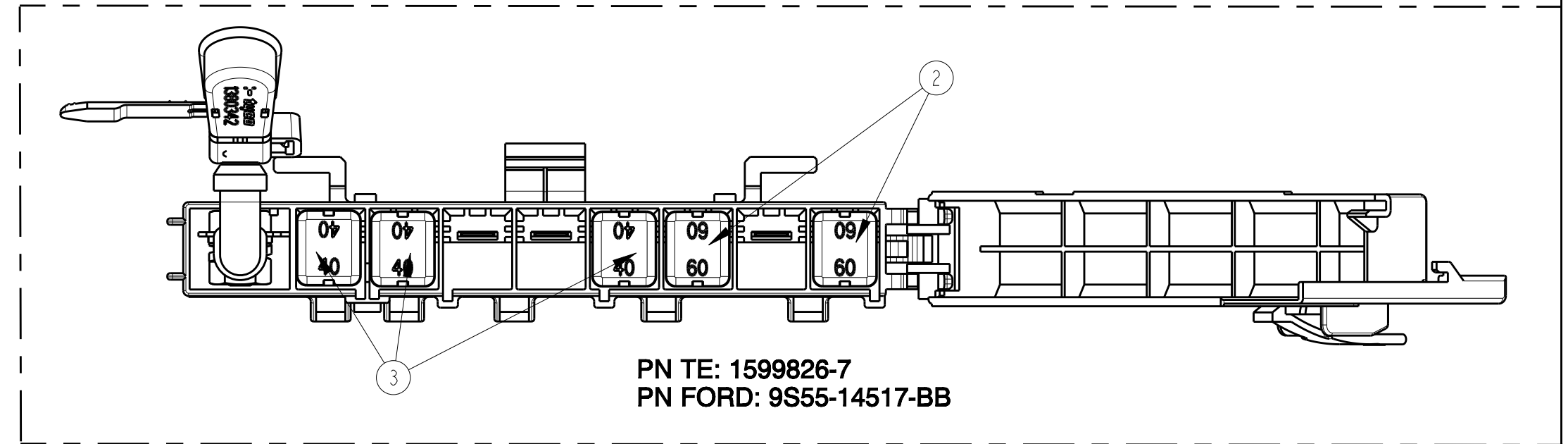
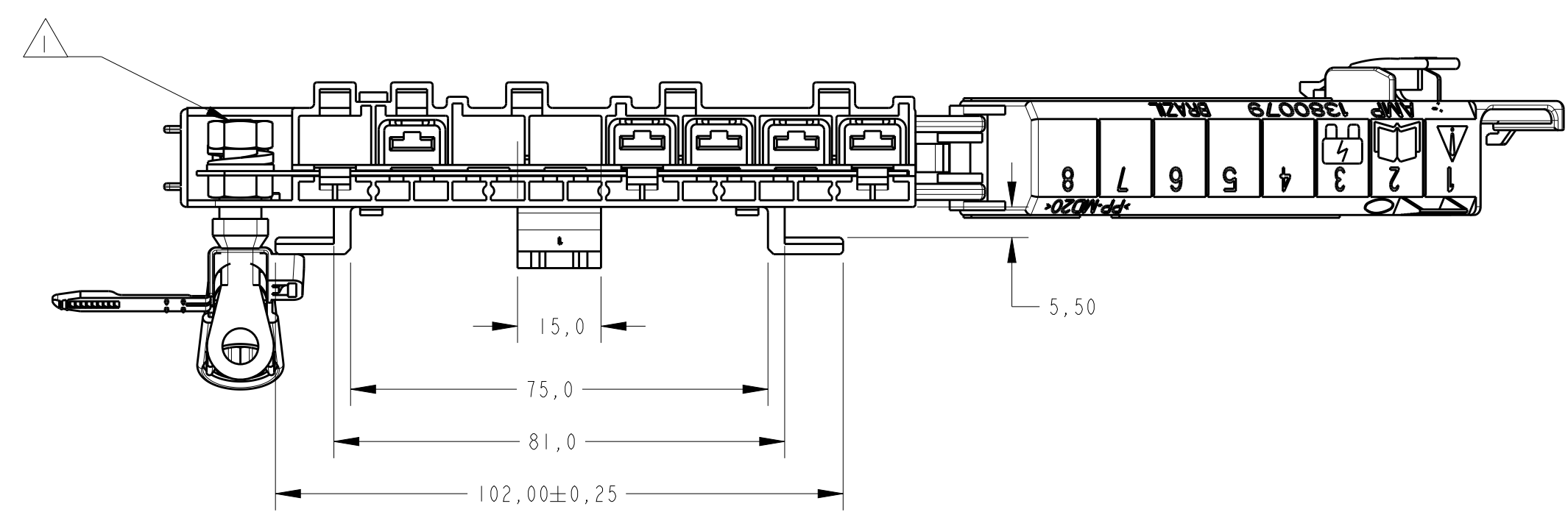
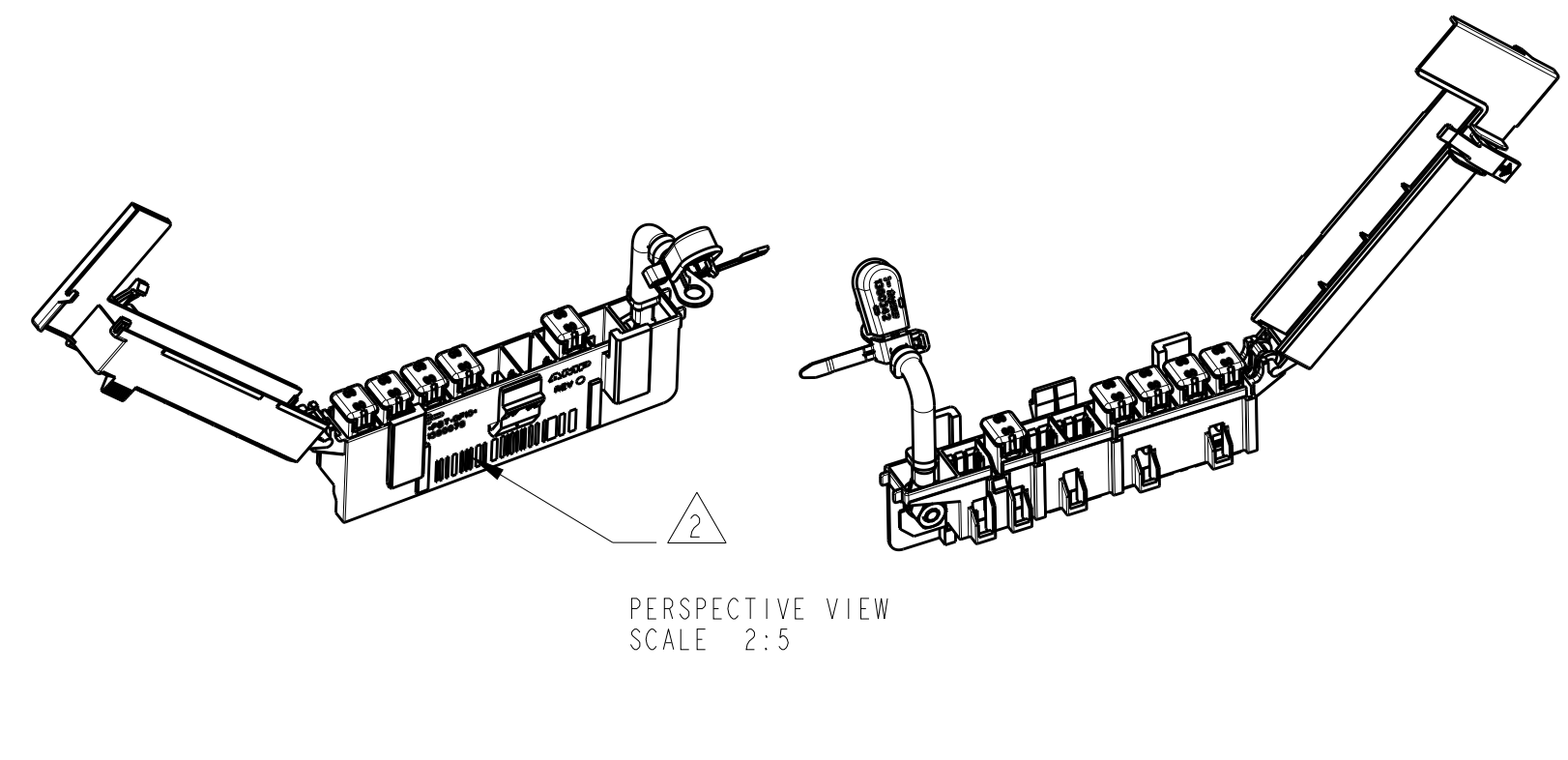
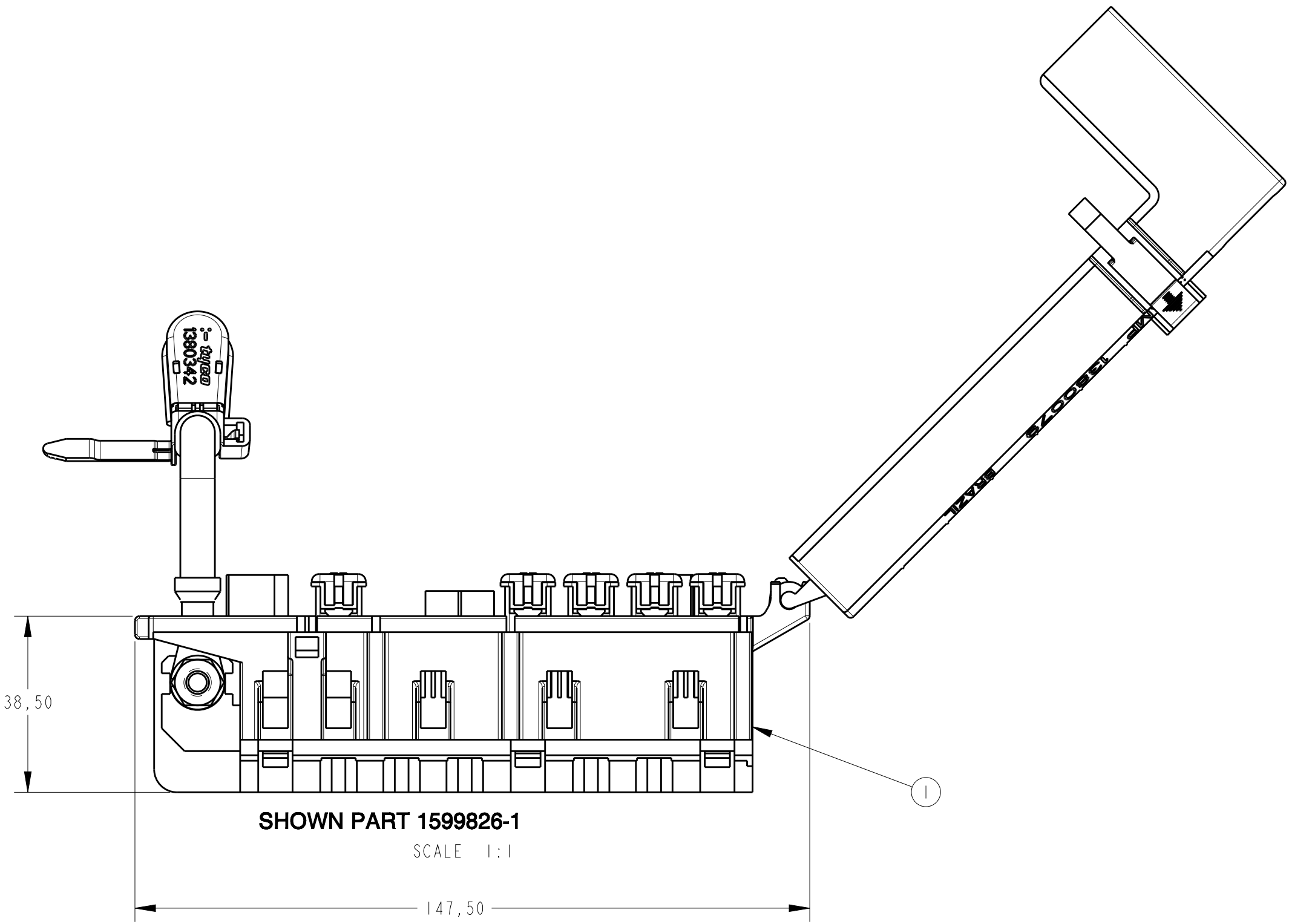
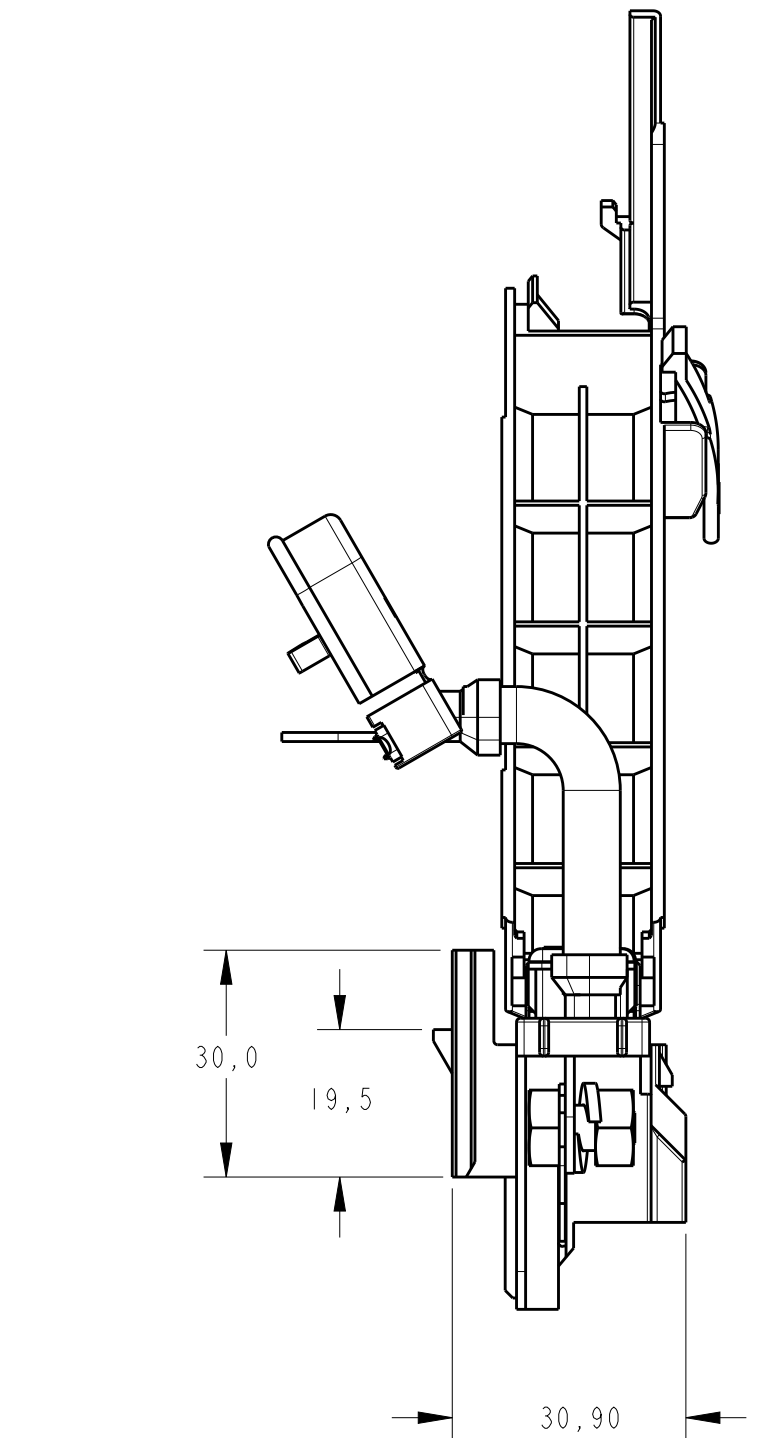


LOC	DIST	REV	DATE	APV	REV	DATE	APV
AP	-	A3	13APR2009	NCL	MLO		
		A4	01AUG2011	NCL	NMS		
		A5	18SEP2020	AP	DO		

ProENGINEER
WILDFIRE 4.0
DO NOT REVISE
EXCEPT BY CAD



TE PART NUMBER	FORD PART NUMBER
1599826-9	CS55-14517-AA
1599826-8	CS55-14517-BA
1599826-7	9S55-14517-BB
1599826-6	9S55-14517-AC
1599826-5	9S55-14517-BA
1599826-4	9S55-14517-AB
1599826-3	9S55-14517-AA
1599826-2	7S55-14517-DA
1599826-1	7S55-14517-CA

⚠ - TORQUE NA PORCA DE RETENÇÃO: 5,0 - 7,0 Nm
ASS'Y TORQUE ON RETENTION NUT: 5,0 - 7,0 Nm

Ⓜ - ETIQUETA DE IDENTIFICAÇÃO BRANCO
IDENTIFICATION LABEL WHITE

REQ. PER ASSY	ITEM	DESCRIPTION	MATERIAL	FINISH
1	4	JCASE FUSE 50A		
2	3	JCASE FUSE 40A		
2	4	JCASE FUSE 60A		
1	1	MAXI FUSE BOX ASSY, JCASE FUSE		

DIMENSIONS:	TOLERANCES UNLESS OTHERWISE SPECIFIED:	APV	DATE	NAME
mm	0 PLC ± 1 PLC ±0,3 2 PLC ±0,20 3 PLC ± 4 PLC ± ANGLES ±	D. A. OLIVEIRA	23FEB2006	JCASE ASSEMBLY MAXI FUSE BOX

SIZE	CAGE CODE	DRAWING NO	RESTRICTED TO
A1	00779	1599826	