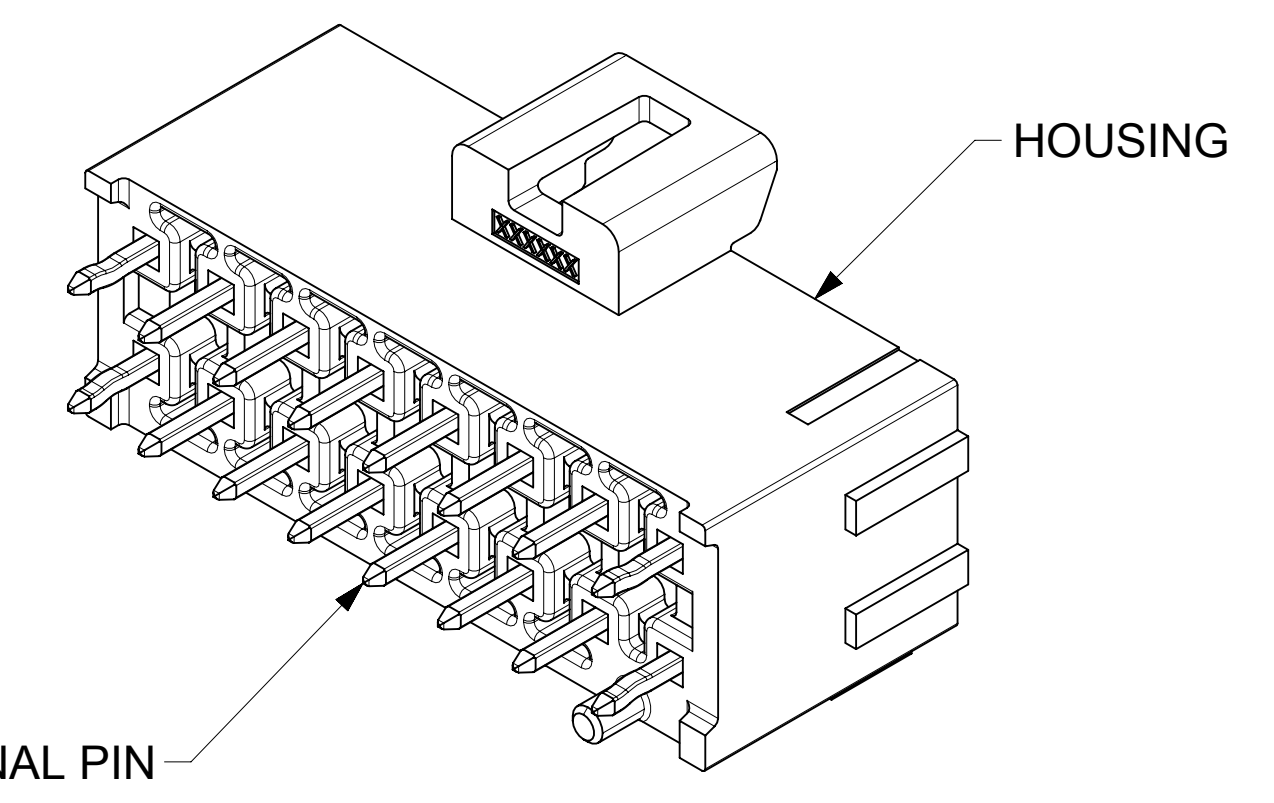
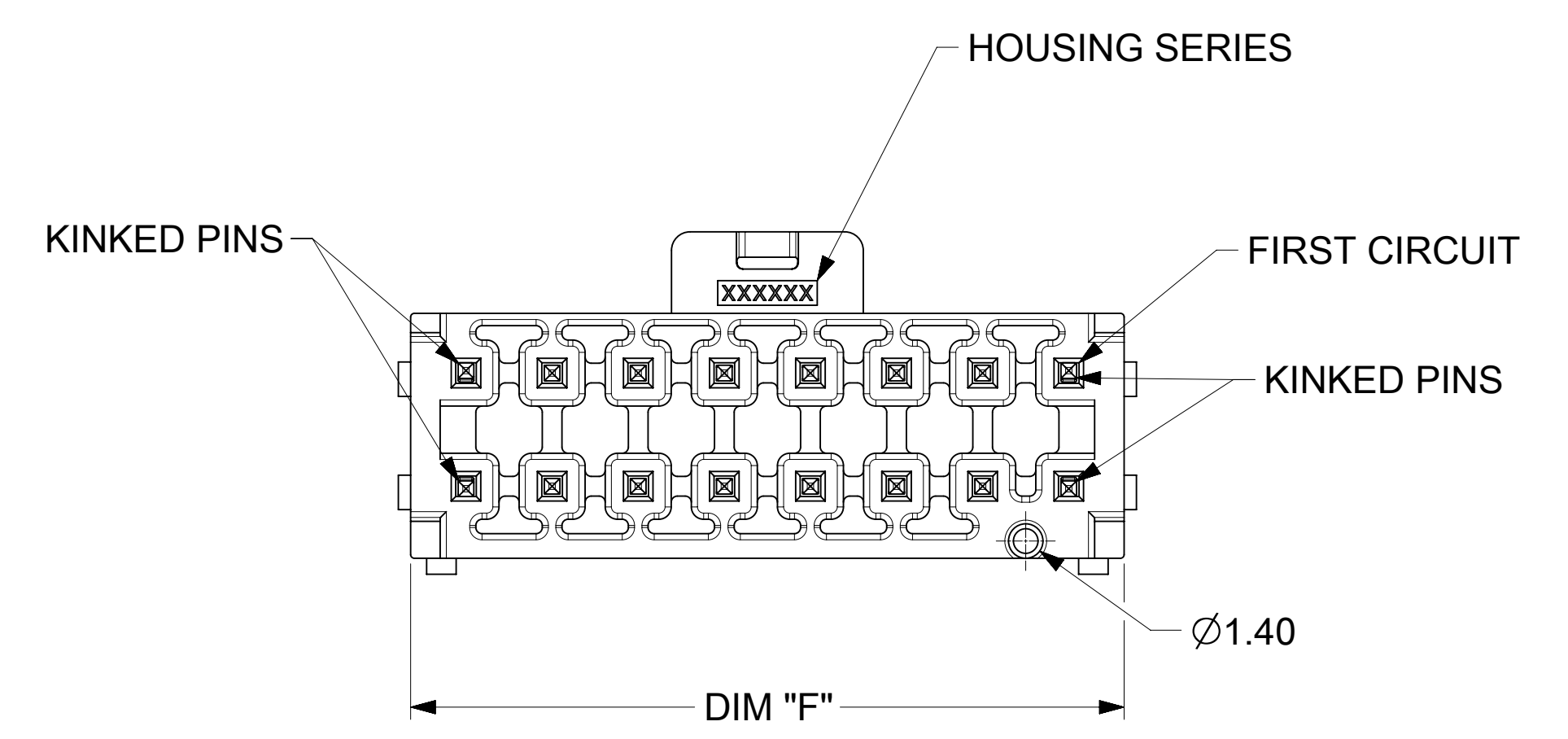
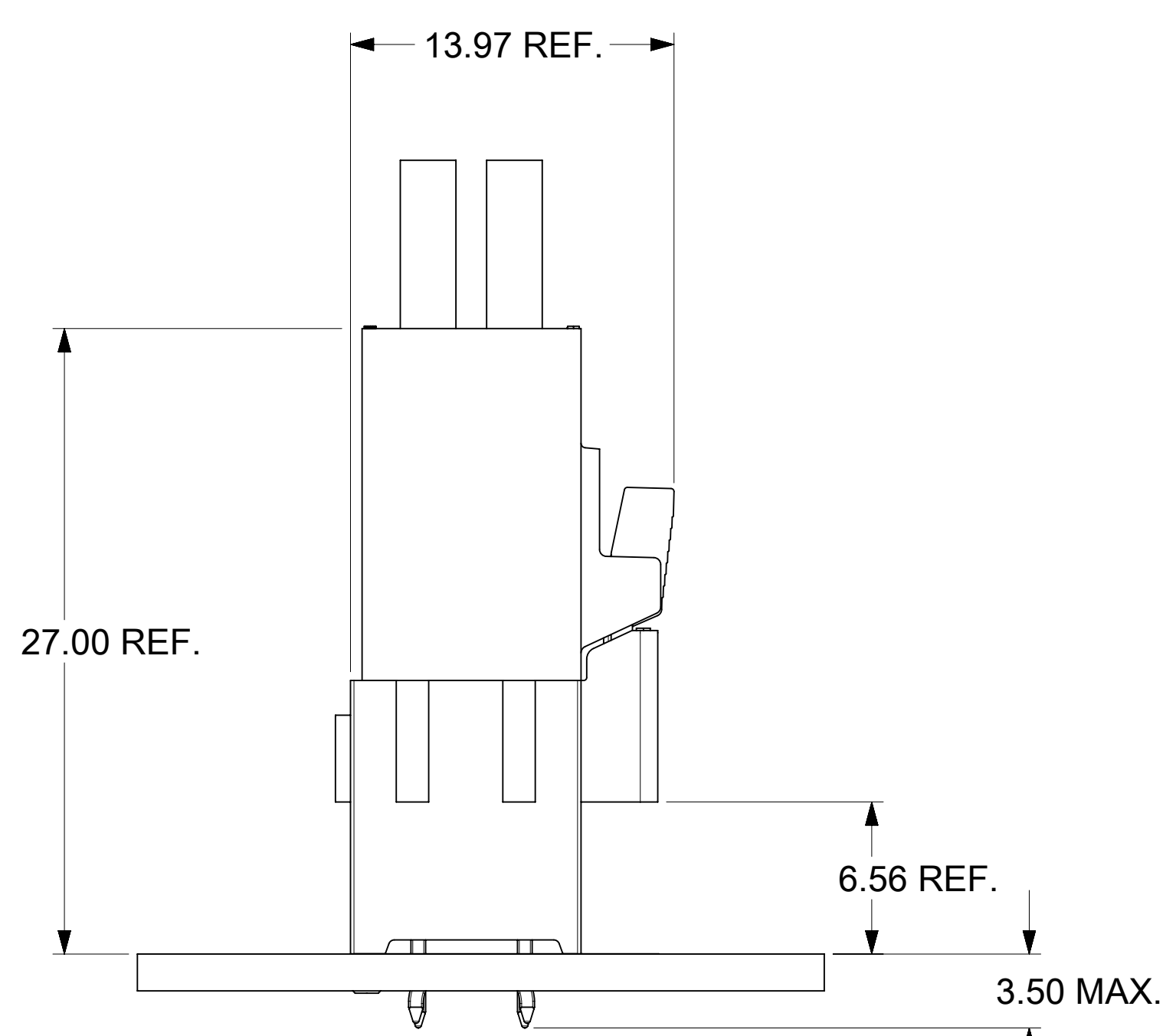


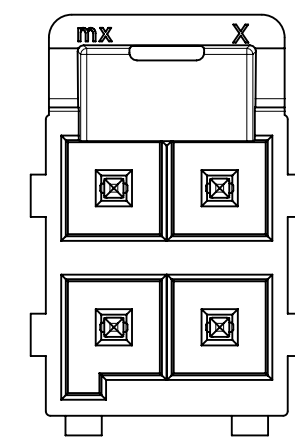
SECTION Y-Y
SCALE 8:1



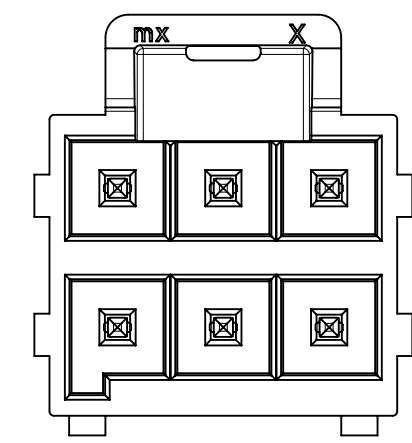
- NOTES:
- MATERIAL :
HOUSING
OPTION 1: LCP BLACK, UL94 V-0
OPTION 2: LCP NATURAL, UL94 V-0
TERMINAL: COPPER ALLOY
 - PLATING FINISH:
OPTION 1 - 1.52µm(60µin)-2.54µm(100µin) TIN OVER,
1.27µm(50µin)-2.54µm(100µin) NICKEL OVERALL,
OPTION 2 - 0.38µm(15µin) GOLD CONTACT AREA,
1.52µm(60µin)-2.54µm(100µin) TIN TAIL AREA OVER,
1.27µm(50µin)-2.54µm(100µin) NICKEL OVERALL.
OPTION 3 - 0.76µm(30µin) GOLD CONTACT AREA,
1.52µm(60µin)-2.54µm(100µin) TIN TAIL AREA OVER,
1.27µm(50µin)-2.54µm(100µin) NICKEL OVERALL.
 - PACKAGE SPECIFICATION REFER TO CHART IN SHEET 3.
 - PRODUCT SPECIFICATION PS-172323-0001.
 - PART MATES WITH MOLEX RECEPTACLE HOUSING 172258 AND 172262.
 - PART CONFORMS TO CLASS "C" REQUIREMENTS OF SPECIFICATION PS-45499-002 WITH 0.13 MM MAXIMUM FLASH ALLOWED IN CORE HOLES AND FRONT SURFACE.
 - DISCOLORATION IN THE BANDOLIER AREA OF THE PIN IS INHERENT TO THE PLATING PROCESS AND IS DUE TO THE MASKING EFFECT OF THE CARRIER. THIS DISCOLORATION IS IN A NON-FUNCTIONAL AREA OF THE PIN AND WILL NOT AFFECT THE PERFORMANCE OF THE HEADER ASSEMBLY.
 - APPLICATION SPECIFICATION: AS-172323-0001



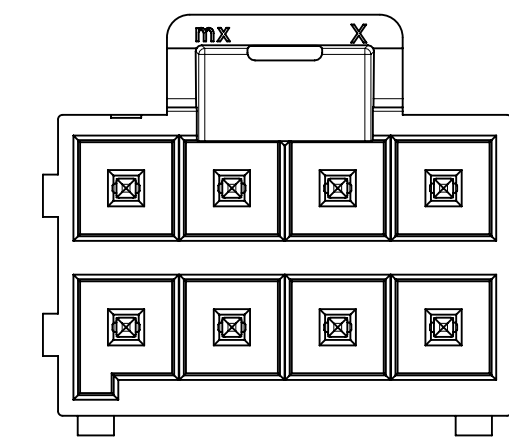
| | | | |
|--|---|------------------------|---|
| FUNCTIONAL SYMBOLS | THIS DRAWING CONTAINS INFORMATION THAT IS PROPRIETARY TO MOLEX ELECTRONIC TECHNOLOGIES, LLC AND SHOULD NOT BE USED WITHOUT WRITTEN PERMISSION | | |
| | DIMENSION UNITS | SCALE | CURRENT REV DESC: |
| $F_A = 0$ | mm | 4:1 | |
| $F_C = 0$ | GENERAL TOLERANCES (UNLESS SPECIFIED) | | |
| $F_P = 0$ | ANGULAR TOL | ± ° | |
| DIVISIONAL SYMBOLS | 4 PLACES | ± | |
| | 3 PLACES | ± | |
| | 2 PLACES | ± 0.25 | |
| | 1 PLACE | ± 0.5 | |
| | 0 PLACES | ± | |
| DRAFT WHERE APPLICABLE MUST REMAIN WITHIN DIMENSIONS | | THIRD ANGLE PROJECTION | DRAWING SERIES |
| | | | D-SIZE 172298 |
| EC NO: 693485 | | 2022/01/21 | ULTRA-FIT VERT HEADER 4-16 CKTS DUAL ROW KINKED PINS PRODUCT CUSTOMER DRAWING |
| DRWN: GLLI | | 2022/01/26 | |
| CHK'D: XQZHANG | | 2022/01/26 | |
| APPR: XQZHANG | | 2022/01/26 | DOCUMENT NUMBER |
| INITIAL REVISION: | | 2014/03/04 | SD-172298-1000 |
| DRWN: DROSCA | | 2014/04/24 | DOC TYPE |
| APPR: JCOMERCI | | | PSD |
| | | | DOC PART |
| | | | 000 |
| | | | REVISION |
| | | | D1 |
| | | | MATERIAL NUMBER |
| | | | GENERAL MARKET |
| | | | CUSTOMER |
| | | | SHEET NUMBER |
| | | | 1 OF 3 |



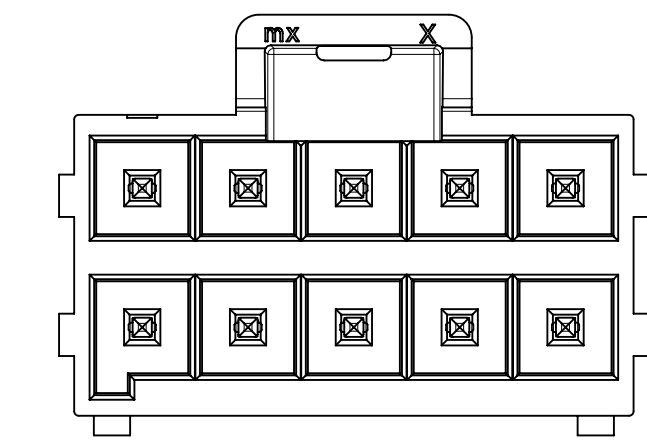
4 CKT



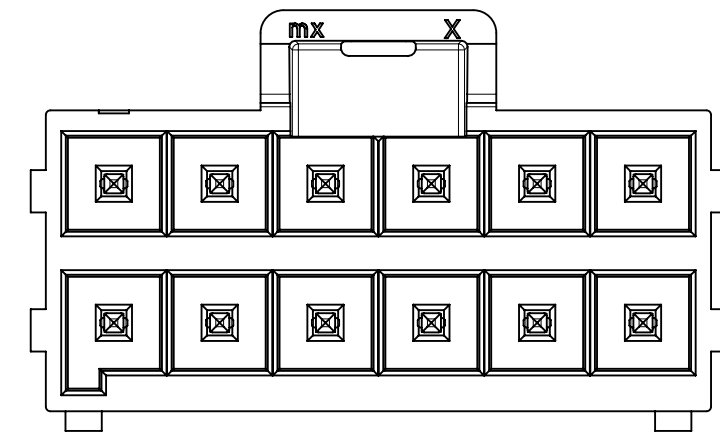
6 CKT



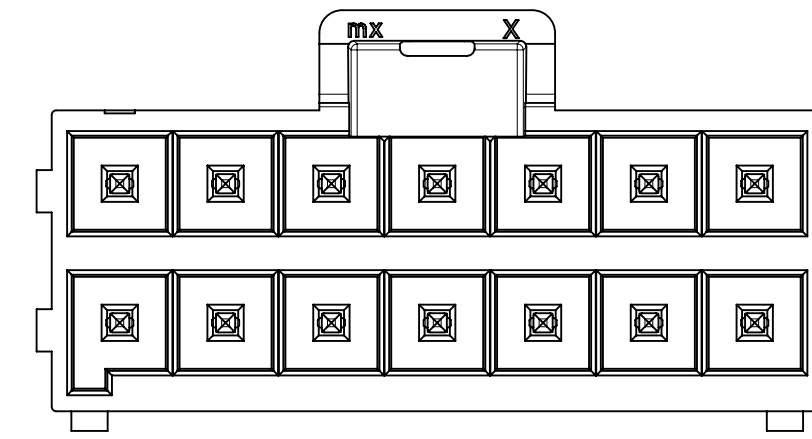
8 CKT



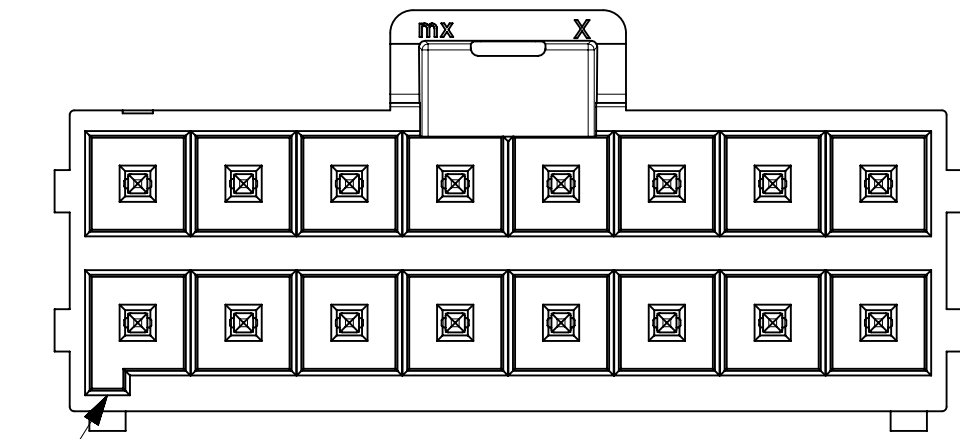
10 CKT



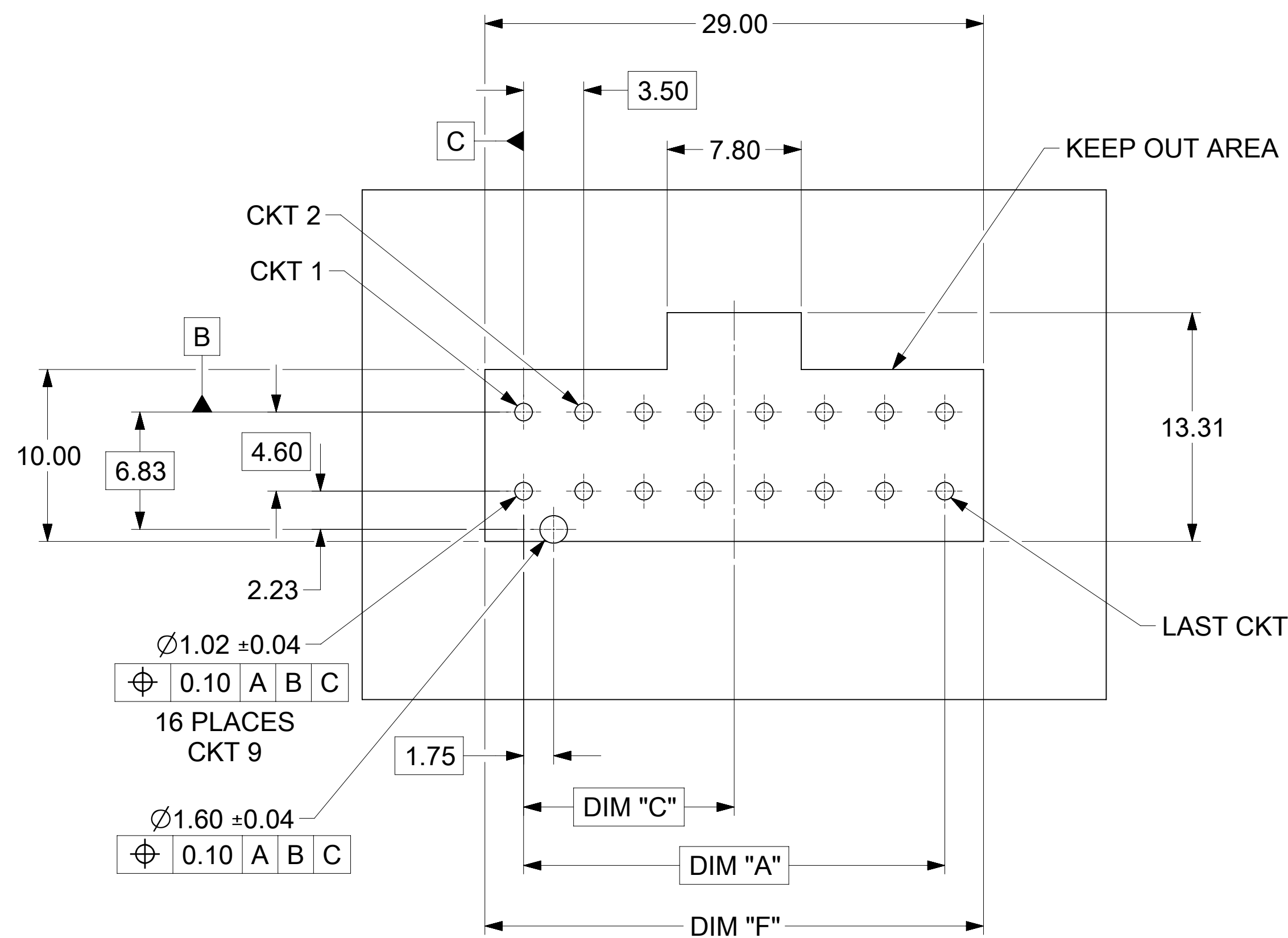
12 CKT



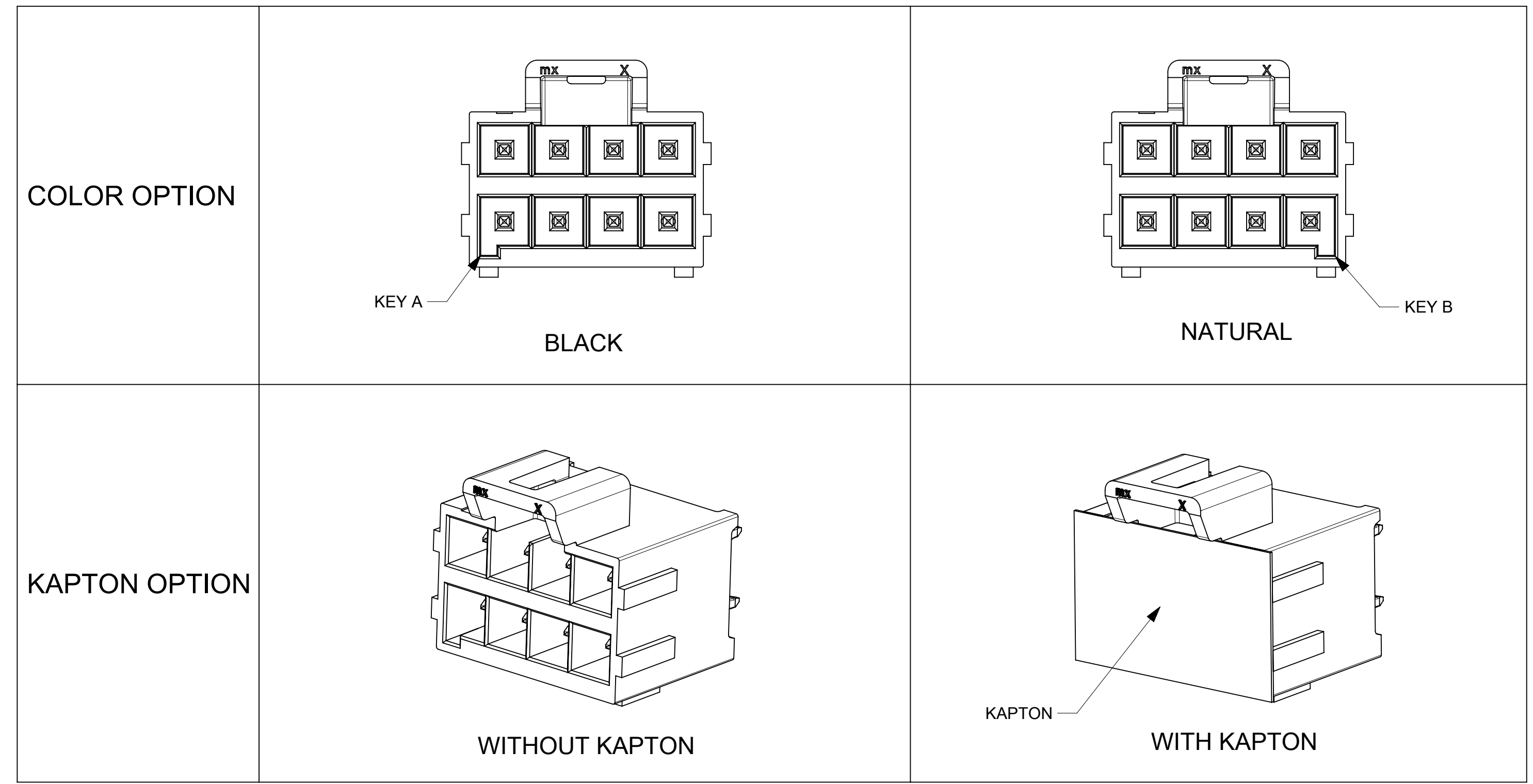
14 CKT



16 CKT



NOTE: DATUM -A- IS ON PCB COMPONENT SIDE



| | | | | | |
|--|---|--|---------------------------|---|---|
| FUNCTIONAL SYMBOLS FA = 0 FC = 0 FD = 0 | THIS DRAWING CONTAINS INFORMATION THAT IS PROPRIETARY TO MOLEX ELECTRONIC TECHNOLOGIES, LLC AND SHOULD NOT BE USED WITHOUT WRITTEN PERMISSION | | CURRENT REV DESC: | | |
| | DIMENSION UNITS mm | SCALE 4:1 | EC NO: 693485 | | |
| DIVISIONAL SYMBOLS | GENERAL TOLERANCES (UNLESS SPECIFIED) | | DRWN: GLLI 2022/01/21 | | ULTRA-FIT VERT HEADER 4-16 CKTS DUAL ROW KINKED PINS |
| | ANGULAR TOL ± ° | | CHK'D: XQZHANG 2022/01/26 | | |
| | 4 PLACES ± | | APPR: XQZHANG 2022/01/26 | | PRODUCT CUSTOMER DRAWING DOCUMENT NUMBER: SD-172298-1000 DOC TYPE: PSD DOC PART: 000 REVISION: D1 |
| | 3 PLACES ± | | INITIAL REVISION: | | |
| | 2 PLACES ± 0.25 | | DRWN: DROSCA 2014/03/04 | | |
| 1 PLACE ± 0.5 | | APPR: JCOMERCI 2014/04/24 | | MATERIAL NUMBER: 172298 CUSTOMER: GENERAL MARKET SHEET NUMBER: 2 OF 3 | |
| 0 PLACES ± | | DRAFT WHERE APPLICABLE MUST REMAIN WITHIN DIMENSIONS | | | |
| THIRD ANGLE PROJECTION | | DRAWING SERIES: D-SIZE 172298 | | | |

