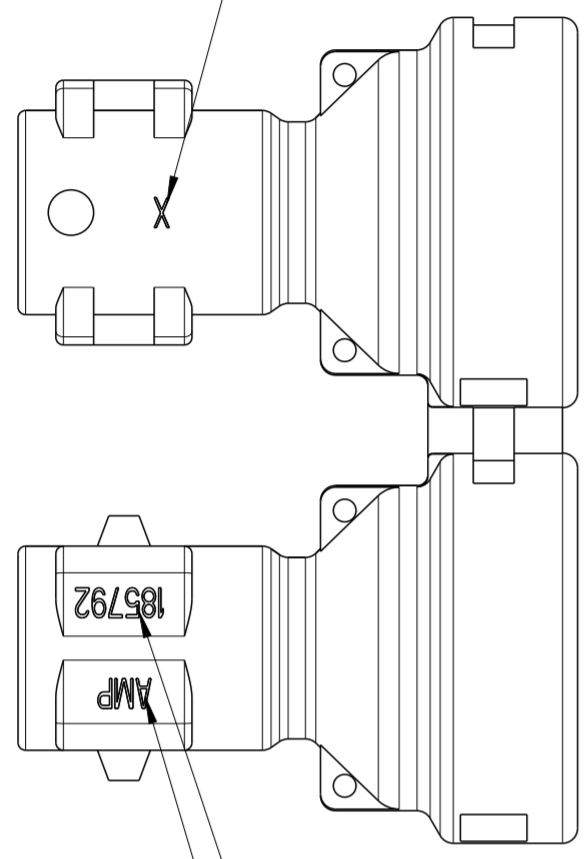


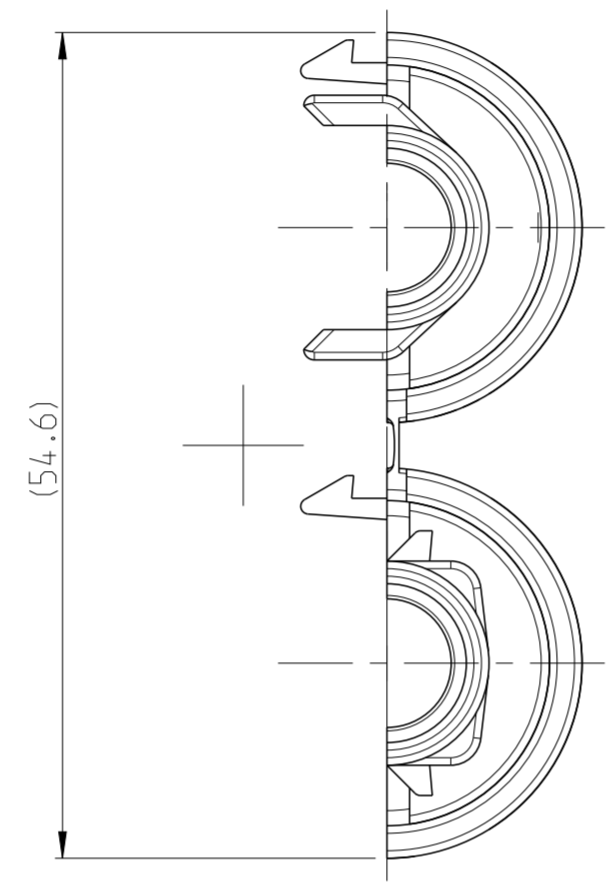
REVISIONS					
P	LTR	DESCRIPTION	DATE	DWN	APVD
A		FIRST ISSUE	16 JUN2020	P.B	JP.P
B		DEVIATION ADDED REGARDIING WHITE MARKS	27 JUL2020	DB	XR

NUMERO D'EMPREINTES  
(MOLD CAVITY NUMBER)



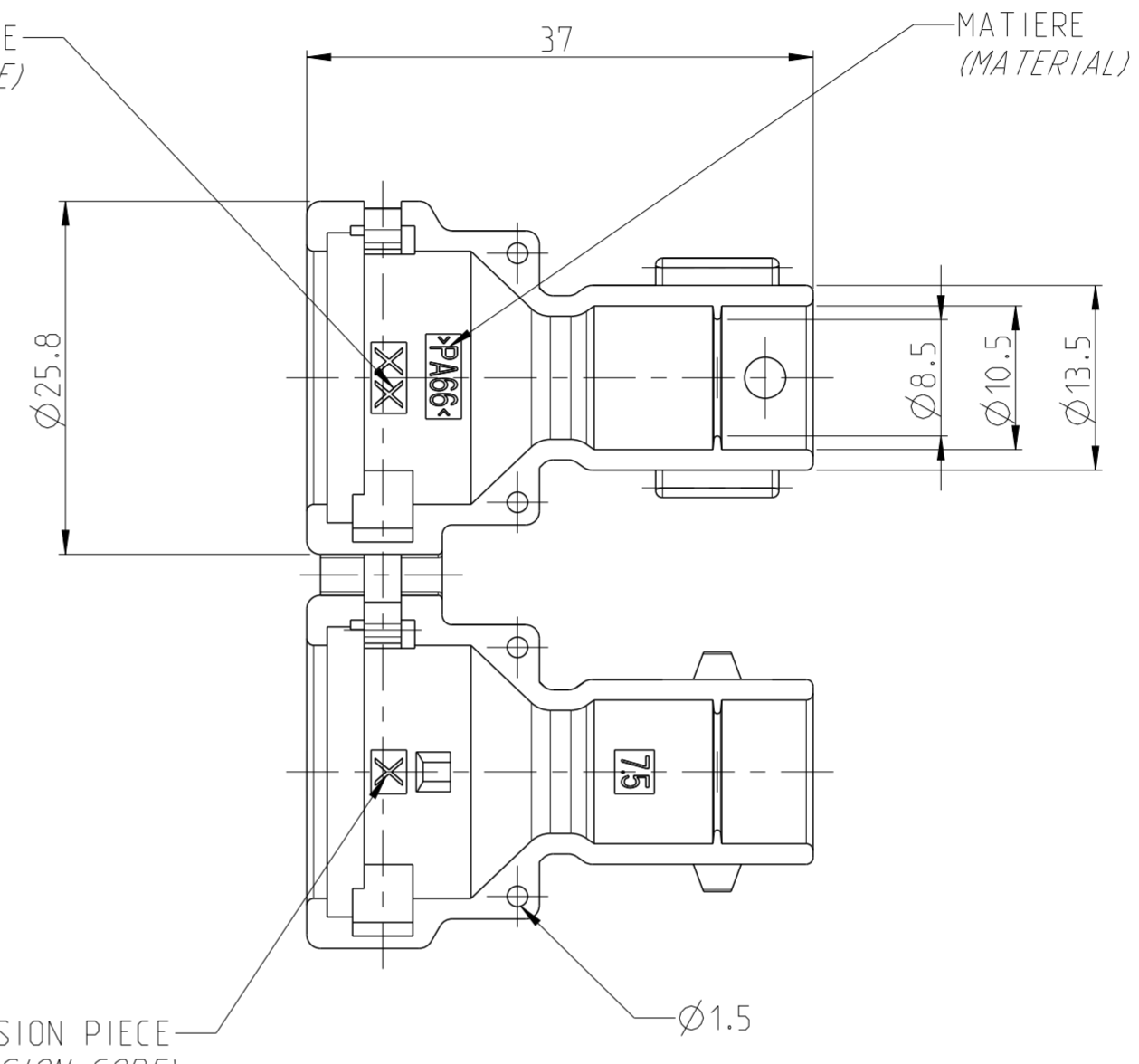
REFERENCE DE LA PIECE  
(PART NUMBER)

LOGO TE  
(TE LOGO)

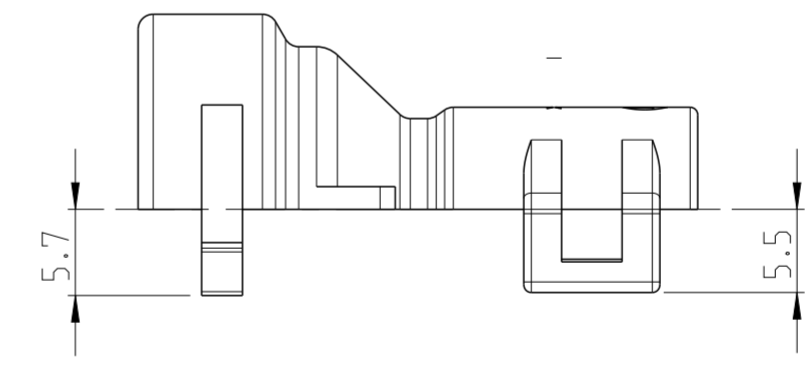


DATE DE MOULAGE  
(DATE CODE)

INDICE DE REVISION PIECE  
(PART REVISION CODE)



MATIERE  
(MATERIAL)



185792-1	PA66	NOIR BLACK
REFERENCE TE TE PART NUMBER	MATIERE MATERIAL	COULEUR COLOR

TRACES BLANCHES POSSIBLES SUR LA PIECE PLASTIQUE, A CAUSE DE LA PRESENCE D'EAU DANS LE CONDITIONNEMENT.  
WHITE MARKS PERMISSIBLE ON THE PLASTIC PART, DUE TO WATER IN THE PACKAGING.

THIS DRAWING IS A CONTROLLED DOCUMENT.		DWN P.BACHELOT 14 JUN2010			
DIMENSIONS: mm		CHK JP.PICAUD 14 JUN2010			
TOLERANCES UNLESS OTHERWISE SPECIFIED:		APVD JJ.REVIL 14 JUN2010	NAME 180 DEG CAP CORRUGATED TUBE WITH PLUMBING HOLES ADAPTATEUR POUR GAINNE ANNELEE 7.5		
		PRODUCT SPEC 108-15161	SIZE	CAGE CODE	DRAWING NO
MATERIAL SEE TABLE		APPLICATION SPEC -	A2	00779	C-185792
FINISH -		WEIGHT 5 gr	SCALE 2:1		SHEET 1 OF 1
		CUSTOMER DRAWING	REV B		