

NOTE:

- 1.MATERIALS : REFER TO TABLE2;
- 2.PACKAGING SPEC: REFER TO PK OF 2165891000;
- 3.PRODUCT SPEC: REFER TO PS OF 2165891000;
- 4.APPLICATION SPEC: REFER TO AS OF 2165891000.

REV	CHANGE HISTORY	DATE
A	FIRST RELEASE	20200826
B	UPDATE VHB TYPE	20200917
C	ADD TWO ADDITIONAL VHB'S IN PACKAGING BAG FOR CONFIG1	20210422

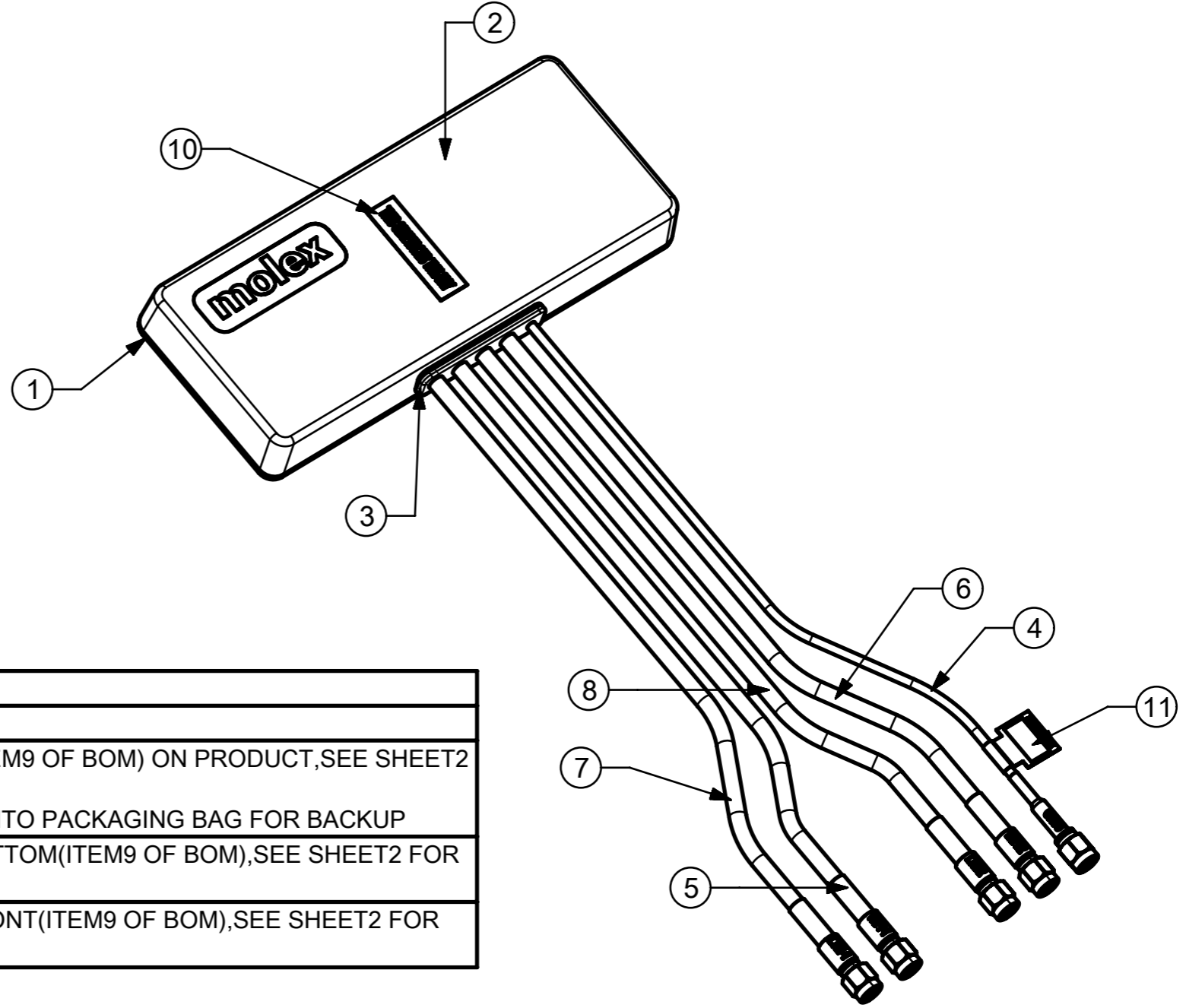


TABLE1

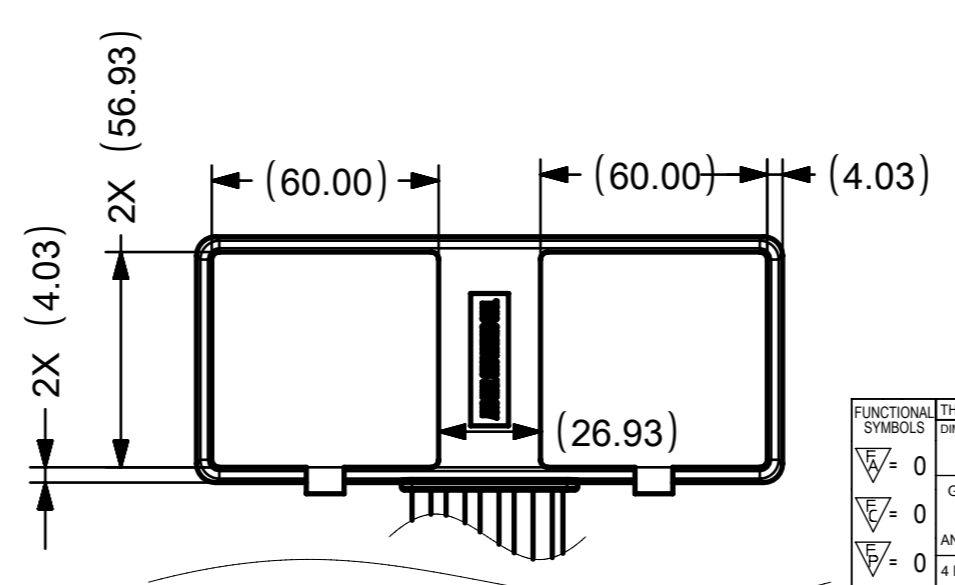
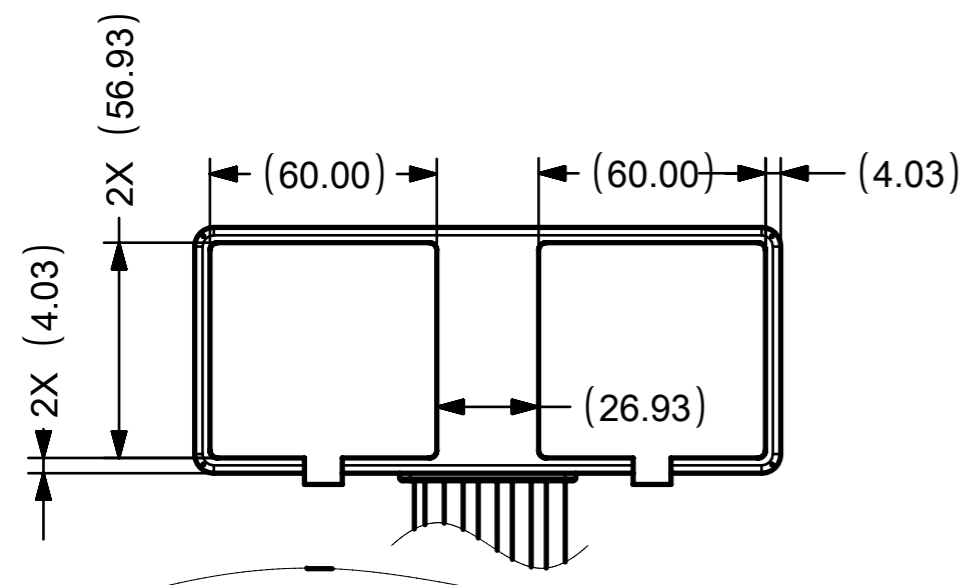
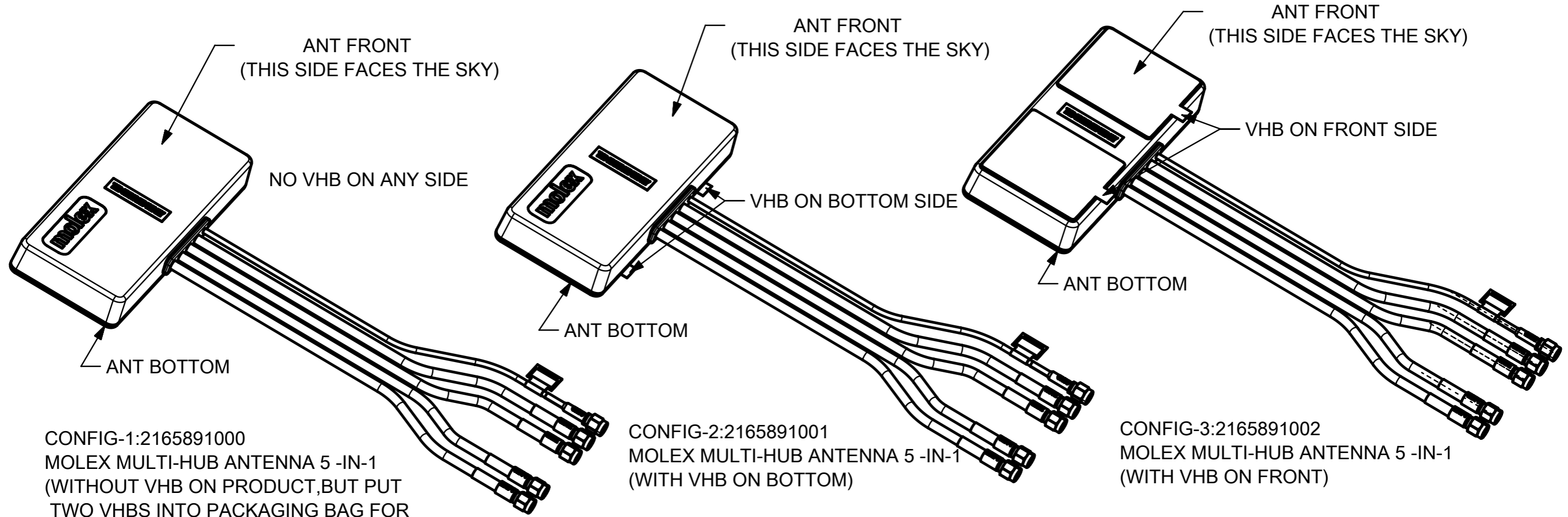
FINISH GOODS PN FOR DIFFERENT CONFIGS			
CONFIGS	PN	DESCRIPTION	NOTES
CONFIG-1	2165891000	MOLEX MULTI-HUB ANTENNA 5 -IN-1(WITHOUT VHB)	WITHOUT ANT VHB(ITEM9 OF BOM) ON PRODUCT,SEE SHEET2 FOR DETAIL, BUT PUT TWO VHB'S INTO PACKAGING BAG FOR BACKUP
CONFIG-2	2165891001	MOLEX MULTI-HUB ANTENNA 5 -IN-1(WITH VHB ON BOTTOM)	WITH ANT VHB ON BOTTOM(ITEM9 OF BOM),SEE SHEET2 FOR DETAIL
CONFIG-3	2165891002	MOLEX MULTI-HUB ANTENNA 5 -IN-1(WITH VHB ON FRONT)	WITH ANT VHB ON FRONT(ITEM9 OF BOM),SEE SHEET2 FOR DETAIL

TABLE2

ITEM	DESCRIPTION	MATERIAL	QTY
1	TOP COVER	PC/ABS ,BLACK	1
2	BOTTOM HOUSING	PC/ABS ,BLACK	1
3	SIDE CAP FOR 5 IN 1	SILICONE ,BLACK	1
4	5 IN 1 CABLE ASSY FOR GNSS	RG174 CABLE,SMA(M) ST,TUBE-BLACK,TEXT-WHITE	1
5	5 IN 1 CABLE ASSY FOR WIFI1	LMR200 CABLE,SMA(M) ST, TUBE-BLACK,TEXT-WHITE	1
6	5 IN 1 CABLE ASSY FOR WIFI2	LMR200 CABLE,SMA(M) ST, TUBE-BLACK,TEXT-WHITE	1
7	5 IN 1 CABLE ASSY FOR 5G/LTE1	LMR200 CABLE,SMA(M) ST, TUBE-BLACK,TEXT-WHITE	1
8	5 IN 1 CABLE ASSY FOR 5G/LTE2	LMR200 CABLE,SMA(M) ST, TUBE-BLACK,TEXT-WHITE	1
(9)	VHB FOR ANT(OPTIONAL,SEE SHEET2)	VHB,1.2MM	2
10	GNSS DIRECTIONAL LABEL	PAPER	1
11	ANT TRACKER LABEL	PAPER	1

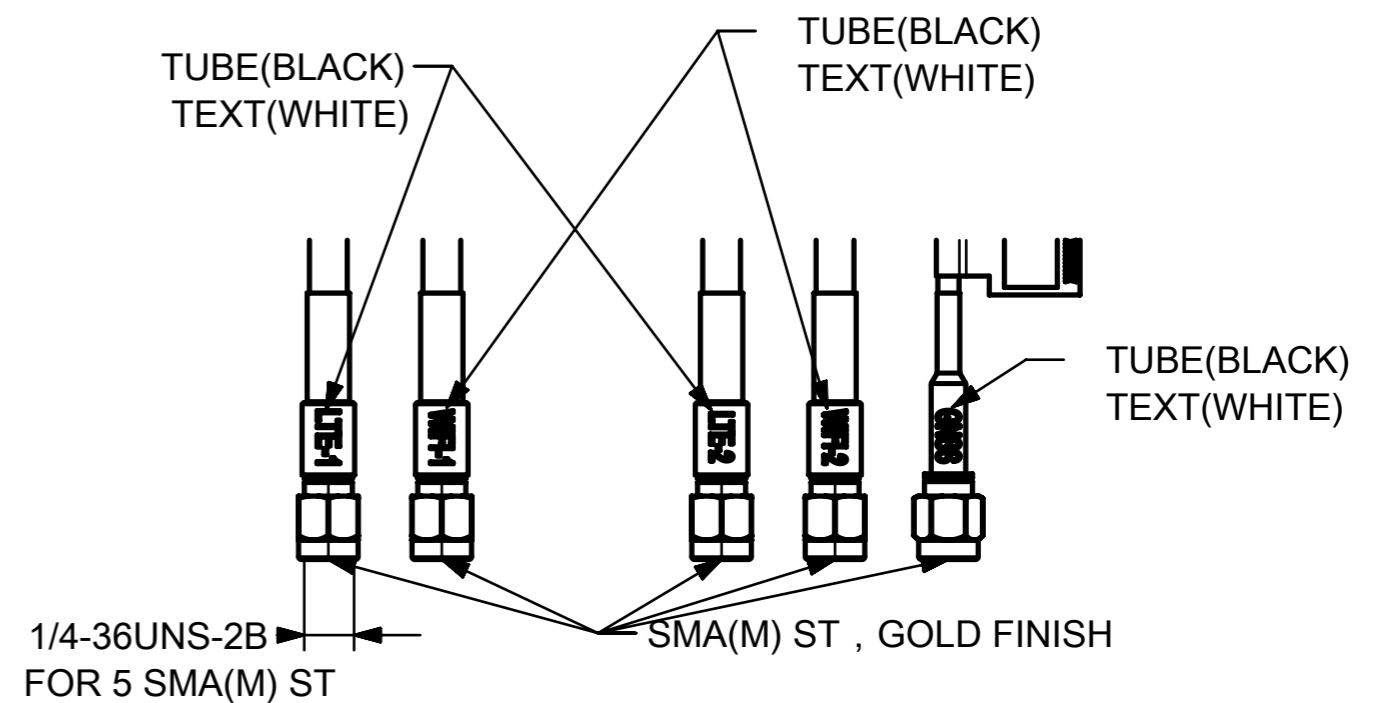
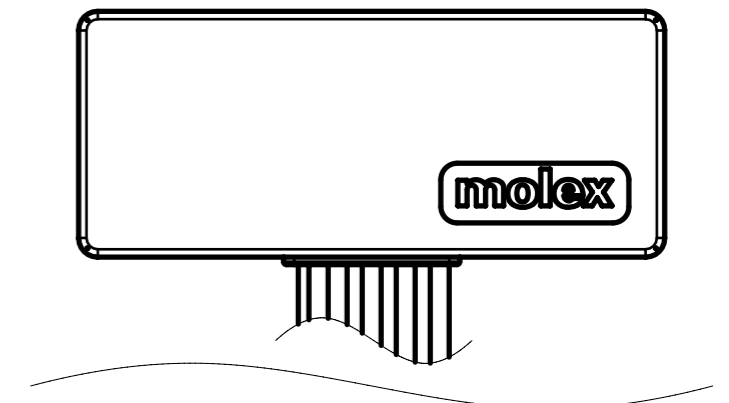
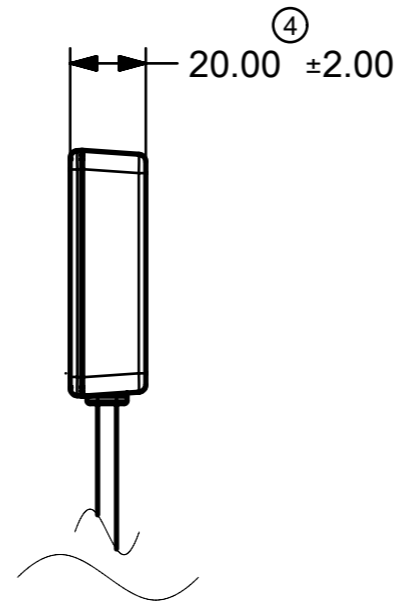
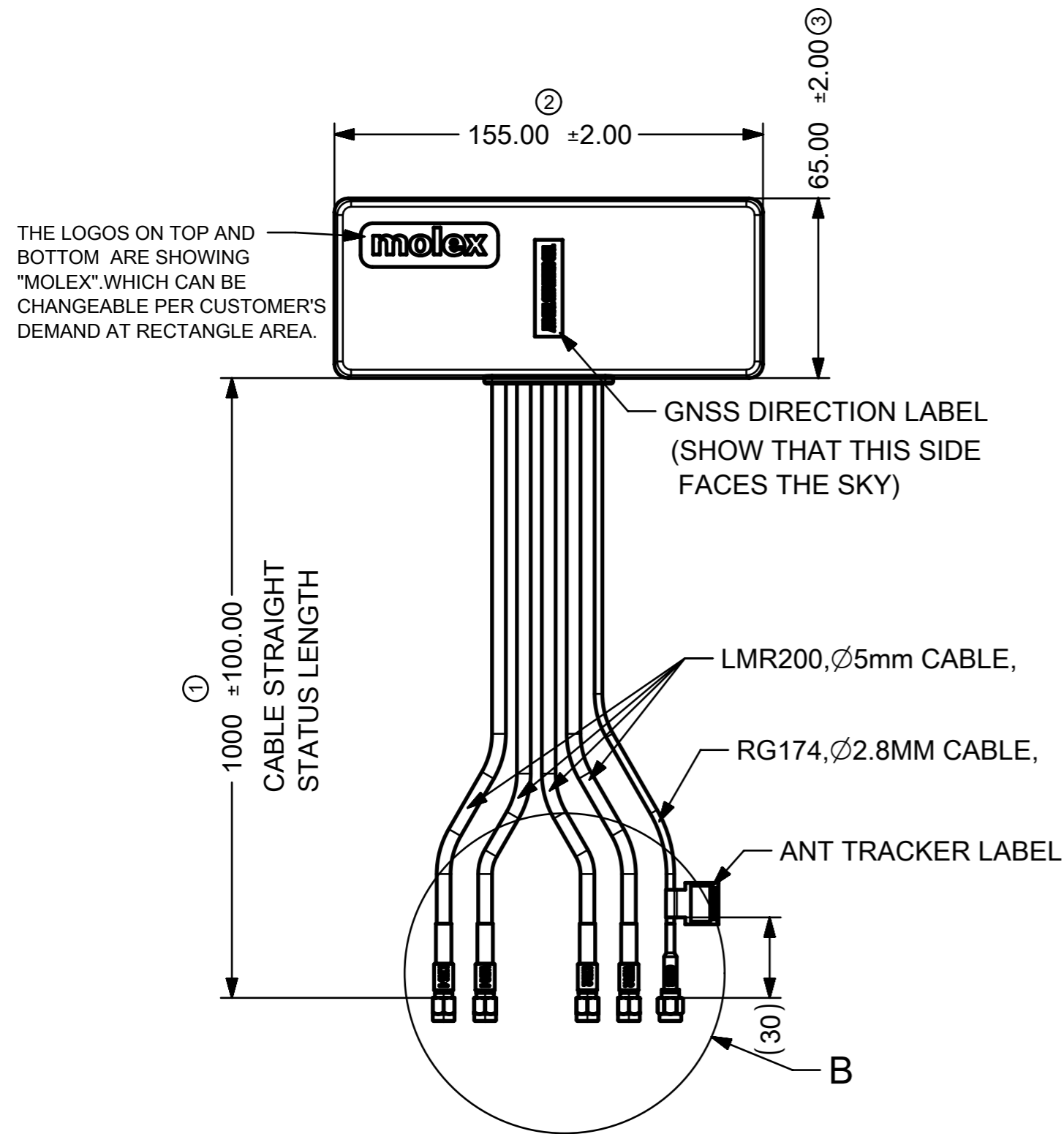
SYMBOLS		THIS DRAWING CONTAINS INFORMATION THAT IS PROPRIETARY TO MOLEX ELECTRONIC TECHNOLOGIES, LLC AND SHOULD NOT BE USED WITHOUT WRITTEN PERMISSION	
▽ = 0	0	DIMENSION UNITS	SCALE
▽ = 0	0	mm	
▽ = 0	0	GENERAL TOLERANCES (UNLESS SPECIFIED)	
▽ = 0	0	ANGULAR TOL	± °
▽ = 0	0	4 PLACES	±
▽ = 0	0	3 PLACES	±
▽ = 0	0	2 PLACES	±
▽ = 0	0	1 PLACE	±
▽ = 0	0	0 PLACES	±
▽ = 0	0	DRAFT WHERE APPLICABLE MUST REMAIN WITHIN DIMENSIONS	
▽ = 0	0	THIRD ANGLE PROJECTION	DRAWING
▽ = 0	0	A3-SIZE	SERIES
CURRENT REV DESC:		EC NO: 661698	2021/04/22
		DRWN: CZHOU05	2021/04/23
		CHK'D: HORACM1	2021/04/23
		APPR: HORACM1	2021/04/23
		INITIAL REVISION:	
		DRWN: CZHOU05	2020/08/31
		APPR: XJSONG	2020/08/31
		MATERIAL NUMBER	CUSTOMER
		2165891000	SEE TABLE
		DOCUMENT NUMBER	DOC TYPE DOC PART REVISION
		2165891000	PSD 000 C
		SHEET NUMBER	1 OF 3

CUSTOMER CAN CHOOSE CONFIG1,2 OR 3 PER THEIR MOUNTING LOCATION



FUNCTIONAL SYMBOLS	THIS DRAWING CONTAINS INFORMATION THAT IS PROPRIETARY TO MOLEX ELECTRONIC TECHNOLOGIES, LLC AND SHOULD NOT BE USED WITHOUT WRITTEN PERMISSION		CURRENT REV DESC:		molex
	MM	SCALE			
DIVISIONAL SYMBOLS	GENERAL TOLERANCES (UNLESS SPECIFIED)		EC NO: 661698		MOLEX MULTI-HUB ANTENNA 5-IN-1
	ANGULAR TOL	± °	DRWN: CZHOU05	2021/04/22	
	4 PLACES	±	CHK'D: HORACM1	2021/04/23	
	3 PLACES	±	APPR: HORACM1	2021/04/23	
	2 PLACES	±	INITIAL REVISION:		
	1 PLACE	±	DRWN: CZHOU05	2020/08/31	
0 PLACES	±	APPR: XJSONG	2020/08/31		
DRAFT WHERE APPLICABLE MUST REMAIN WITHIN DIMENSIONS		THIRD ANGLE PROJECTION	DRAWING	SERIES	DOCUMENT NUMBER
			A3-SIZE	216589	2165891000
				MATERIAL NUMBER	CUSTOMER
				SHEET NUMBER	2 OF 3

ANT FINISH GOODS WITHOUT VHB



DETAIL B
SCALE 1:1

ANT TRACKER LABEL QR CODE CONTENT DEFINITION

XXXXXXXXXXCCCCCYMMDD	MEANS	EXAMPLE
XXXXXXXXXX	MOLEX PN	2165891000, OR 2165891001, OR 2165891002
CCCCC	SERIAL NO.	00000-99999
YY	DATE FOR YEAR	18=2018
MMDD	MONTH AND DAY	0301=THE FIRST DAY OF MARCH

FUNCTIONAL SYMBOLS	THIS DRAWING CONTAINS INFORMATION THAT IS PROPRIETARY TO MOLEX ELECTRONIC TECHNOLOGIES, LLC AND SHOULD NOT BE USED WITHOUT WRITTEN PERMISSION		CURRENT REV DESC:		molex
△/A = 0	mm	SCALE	EC NO: 661698		
△/E = 0	GENERAL TOLERANCES (UNLESS SPECIFIED)		DRWN: CZHOU05 2021/04/22		MOLEX MULTI-HUB ANTENNA 5-IN-1
△/V = 0	ANGULAR TOL ± °		CHK'D: HORACM1 2021/04/23		
DIVISIONAL SYMBOLS	4 PLACES ±		APPR: HORACM1 2021/04/23		PRODUCT CUSTOMER DRAWING
	3 PLACES ±		INITIAL REVISION:		DOCUMENT NUMBER
	2 PLACES ±		DRWN: CZHOU05 2020/08/31		2165891000
	1 PLACE ±		APPR: XJSONG 2020/08/31		PSD 000 C
	0 PLACES ±		THIRD ANGLE PROJECTION		MATERIAL NUMBER
	DRAFT WHERE APPLICABLE MUST REMAIN WITHIN DIMENSIONS		DRAWING	SERIES	CUSTOMER
			A3-SIZE	216589	SHEET NUMBER
					3 OF 3