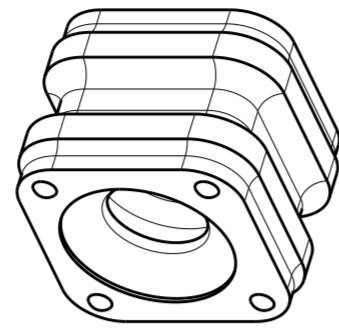
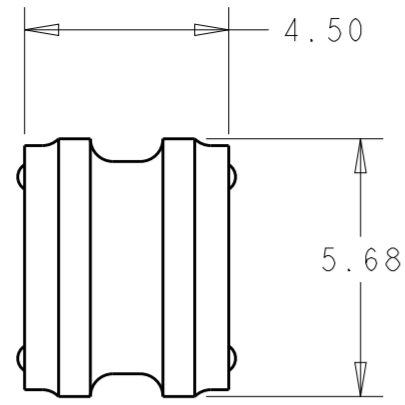
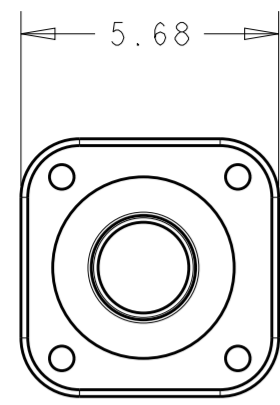


THIS DRAWING IS UNPUBLISHED. RELEASED FOR PUBLICATION 2018
 © COPYRIGHT 2018 BY - ALL RIGHTS RESERVED.

REVISIONS				
P	LTR	DESCRIPTION	DATE	APVD
A		RELEASED PER ECO-19-016370	25OCT2019	BKW DS
A1		REVISED PER ECR-20-100211	08AUG2020	JP VS



1*1 POSITION

1 MATERIAL: SILICONE RUBBER, INHERENTLY LUBRICATED
 COLOR - SEE CHART

2 SEE CHART FOR INSULATION OD RANGE

3. MATING CONNECTOR P/N'S:

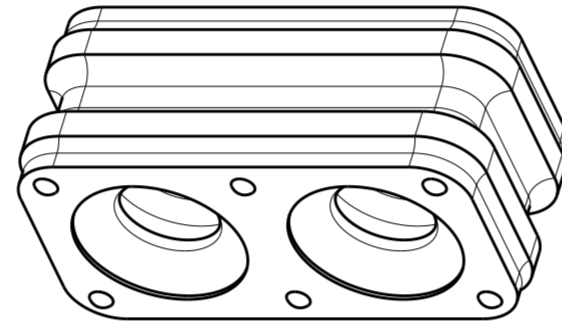
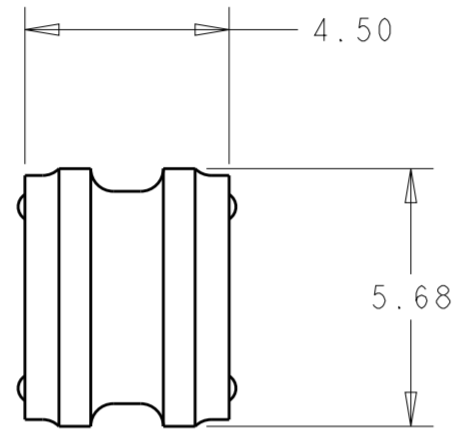
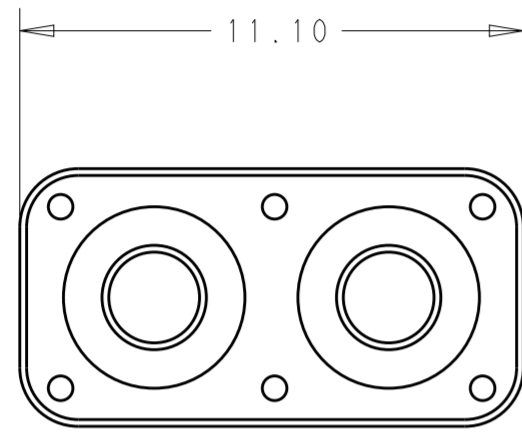
CAP HSG - *-2325350-*/*-2325043-*/*-2336231-*/
 -2337219-/*-2345729-1

PLUG HSG - *-2332040-*/*-2336229-*/*-2345728-1

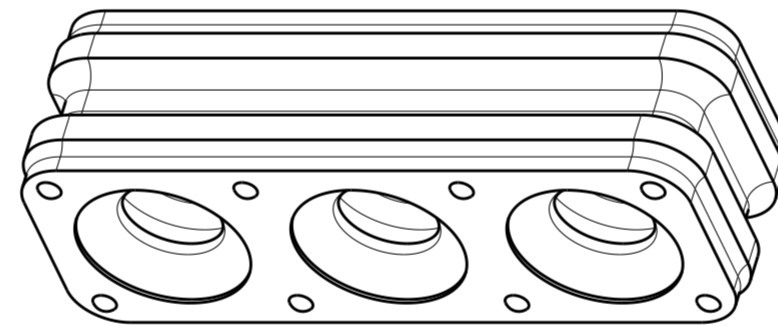
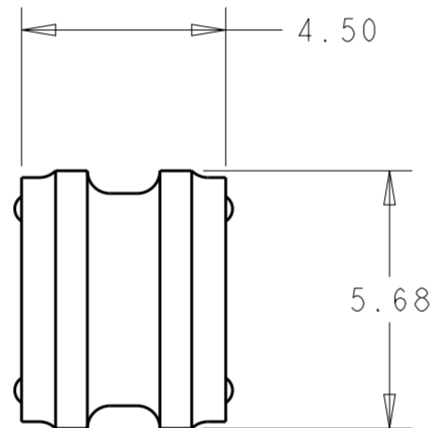
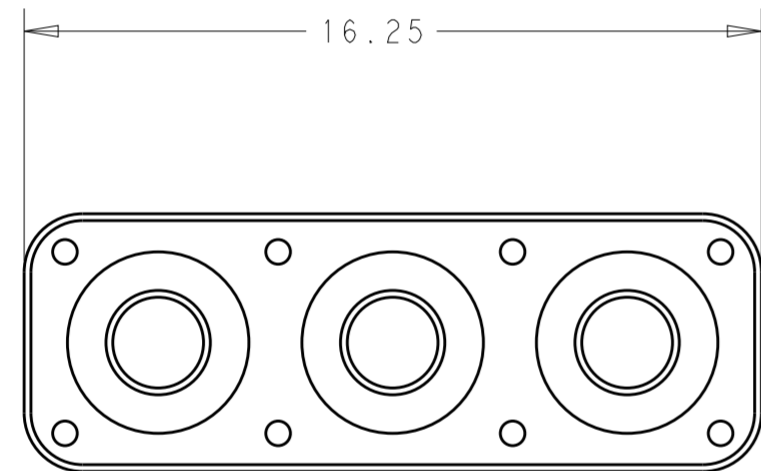
CONTACTS - 2329907-*/2329908-*/2329911-*/2329914-*/
 2329916-*/2329917-*

BACK COVER (OPTIONAL) - 2324614-*/2340648-6

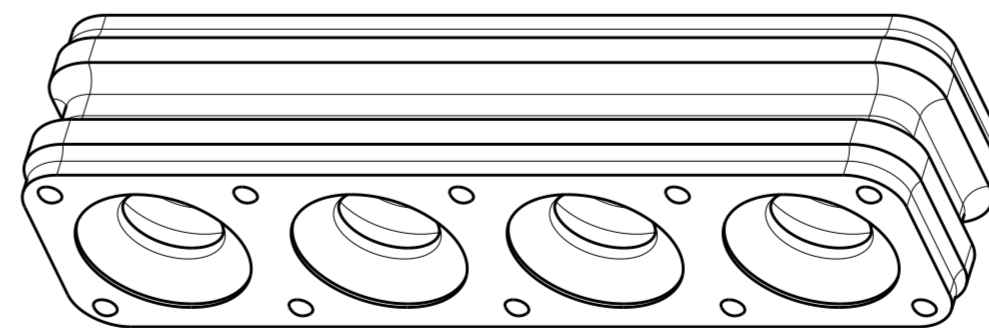
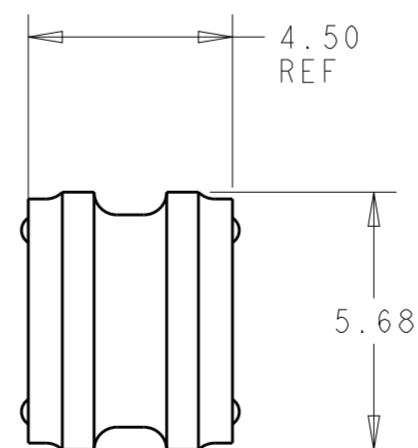
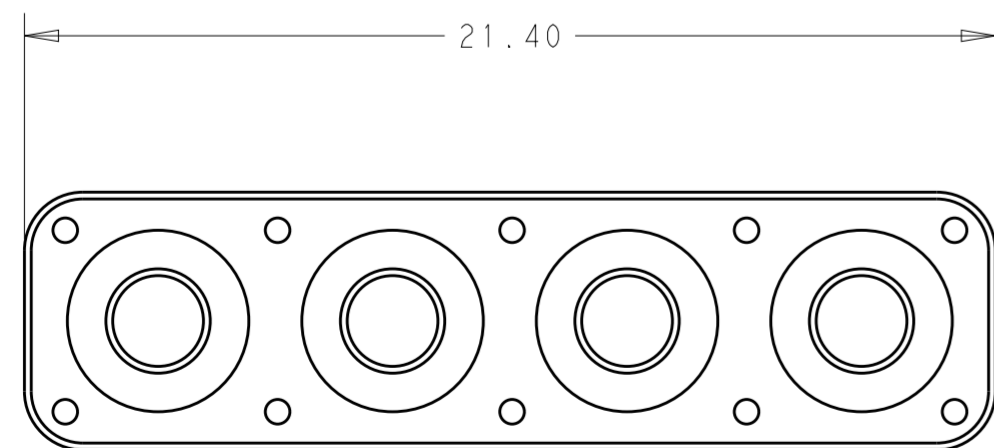
4 PRELIMINARY PART - NOT RELEASED FOR PRODUCTION



1*2 POSITION



1*3 POSITION



1*4 POSITION

COLOR	INSULATION OD RANGE	POSITIONS	PART NUMBER
GREEN	1.30-2.40	1*4	1-2325349-4
GREEN	1.30-2.40	1*3	1-2325349-3
GREEN	1.30-2.40	1*2	1-2325349-2
GREEN	1.30-2.40	1*1	1-2325349-1
BLUE	2.45-3.60	1*4	2325349-4
BLUE	2.45-3.60	1*3	2325349-3
BLUE	2.45-3.60	1*2	2325349-2
BLUE	2.45-3.60	1*1	2325349-1

THIS DRAWING IS A CONTROLLED DOCUMENT.

DIMENSIONS: mm	TOLERANCES UNLESS OTHERWISE SPECIFIED:	DWN B. WEAVER 15 JUN 2018	TE Connectivity NAME: GANG SEAL, POWER VERSA-LOCK
1 PLC ±	0 PLC ±	CHK S. FERNANDES 15 JUN 2018	
2 PLC ±0.50	1 PLC ±	APVD C. YI 15 JUN 2018	
3 PLC ±	2 PLC ±	PRODUCT SPEC 108-143081	
4 PLC ±	3 PLC ±	APPLICATION SPEC 114-143082	SIZE: A2 CAGE CODE: 00779 DRAWING NO: C-2325349
MATERIAL 1	FINISH -	WEIGHT -	RESTRICTED TO: -
CUSTOMER DRAWING			SCALE: 6:1 SHEET 1 OF 1 REV A1