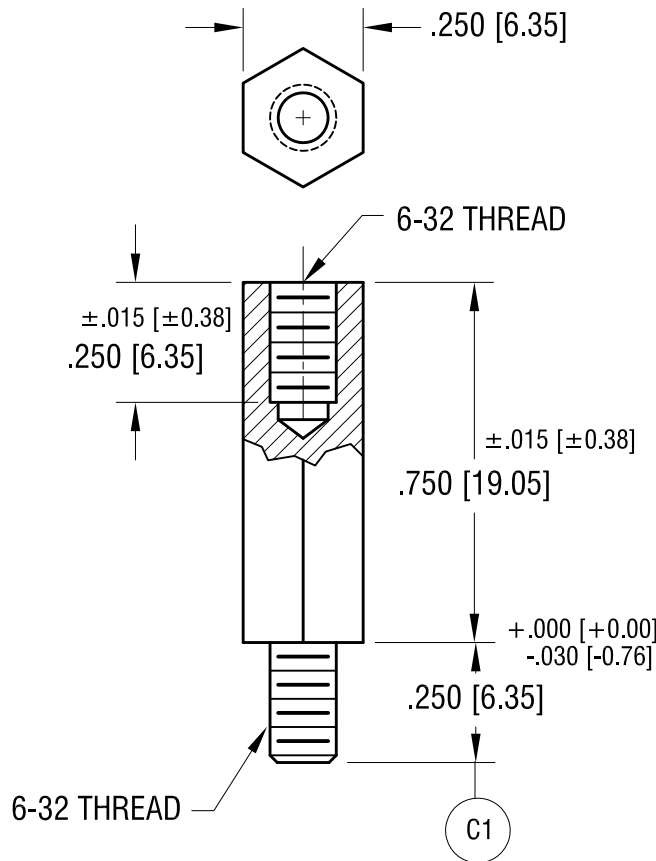


THIS DOCUMENT IS THE PROPERTY OF  
KEYSTONE ELECTRONICS CORP. AND  
SHALL NOT BE REPRODUCED, DISTRIBUTED  
OR USED AS A BASIS FOR MANUFACTURE  
WITHOUT PRIOR WRITTEN PERMISSION  
FROM KEYSTONE ELECTRONICS CORP.

ACTUAL SIZE



NOTE:

1. MAT'L- HIGH TEMPERATURE ,  
HIGH PERFORMANCE NYLON (COLOR- BLACK)
2. TEMPERATURE RANGE:  $-20^{\circ}\text{F} [-29^{\circ}\text{C}]$  to  $+365^{\circ}\text{F} [+185^{\circ}\text{C}]$

<b>KEYSTONE ELECTRONICS CORP.</b>			
<small>www.keyelco.com • NEW HYDE PARK, NY 11040 • Tel (516) 328-7500</small>			
4.17.23	(C1) WAS $.250 \pm .015$ CHANGE AS PER ECN23-056	C	PART NAME <b>HIGH TEMPERATURE NYLON STANDOFF</b>
1.13.22	TEMP. WAS $-20^{\circ}\text{F}$ to $+400^{\circ}\text{F}$ CHANGE AS PER ECN 22-021	B	MATERIAL <b>AS NOTED</b>
6.15.20	GENERAL TOLERANCE WAS $\pm .005$ CHANGE AS PER ECN 20-054	A	FINISH <b>NONE</b>
DATE	DESCRIPTION	REV.	DRN BY <b>NT</b> DATE <b>11.30.17</b> APP'D <b>RH</b> SCALE <b>2.5X</b>
			TOLERANCES INCH [MM] DECIMAL $\pm .010 [\pm 0.25]$ ANGULAR $\pm 1^{\circ}$ UNLESS OTHERWISE SPECIFIED
			CODE <b>C</b> DWG NO. <b>4974</b>