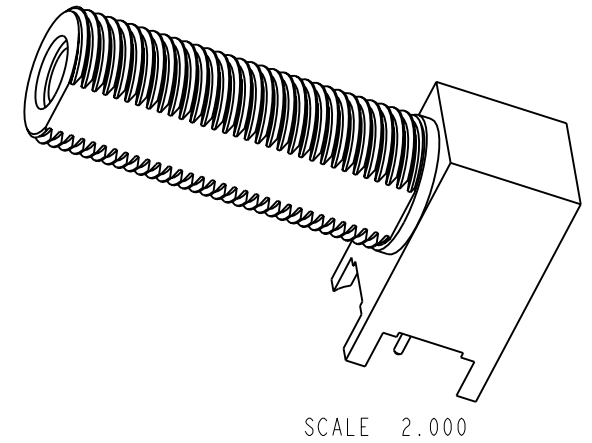
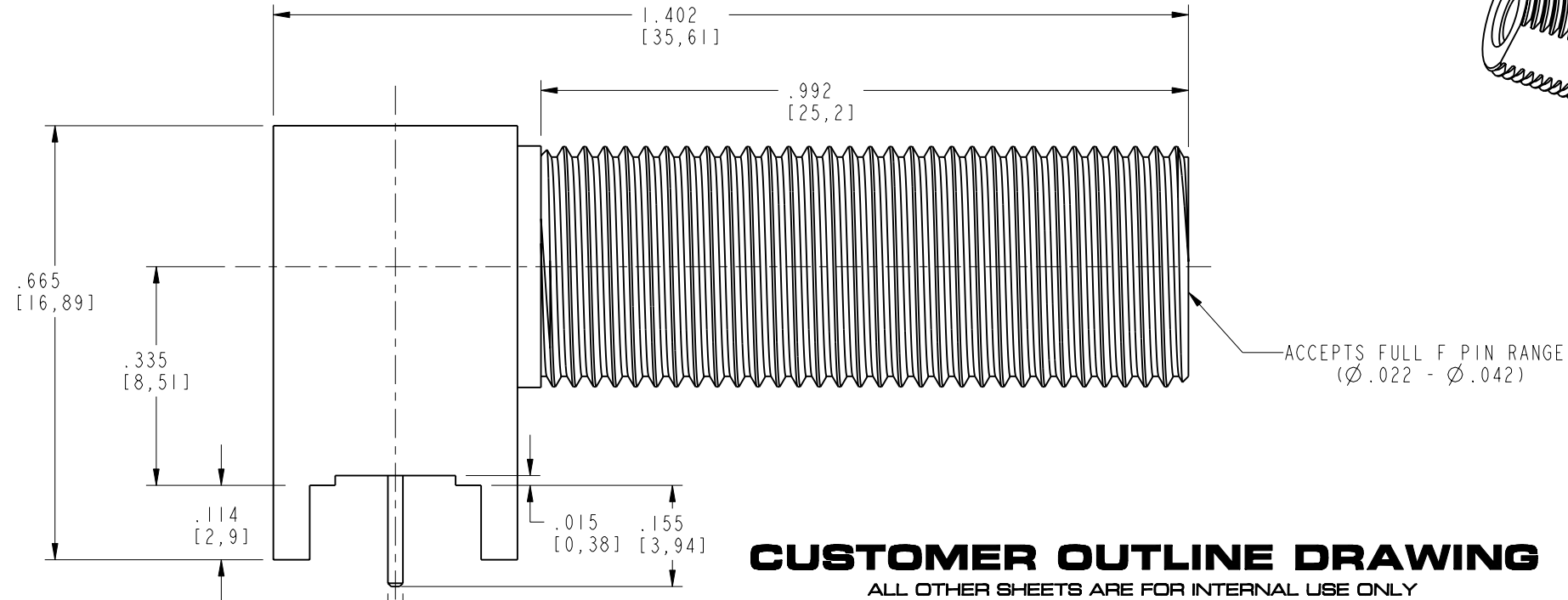


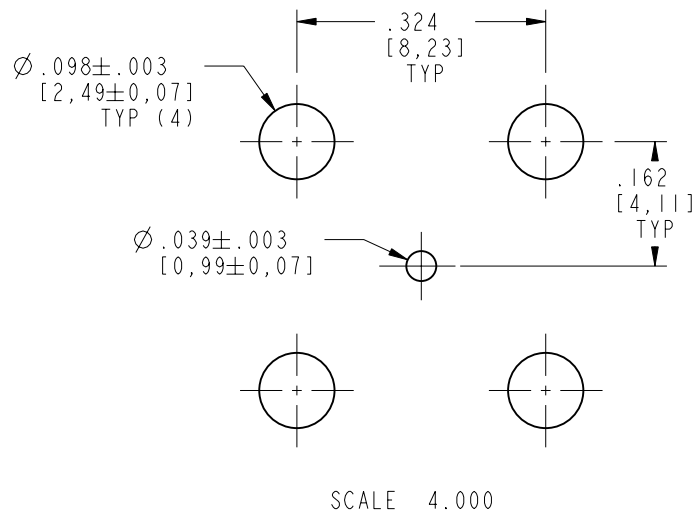
NOTES:

- MATERIALS AND FINISHES:
 BODY CUBE - BRASS, MATTE TIN PLATING OVER NICKEL OVER COPPER
 BODY BARREL - BRASS, MATTE TIN PLATING OVER NICKEL OVER COPPER
 MALE CONTACT - BRASS, MATTE TIN PLATING OVER NICKEL. WISKER FREE
 FEMALE CONTACT - BeCu, MATTE TIN PLATING OVER NICKEL. WISKER FREE
 INSULATORS - PTFE
- ELECTRICAL:
 A. IMPEDANCE: 75 OHM
 B. FREQUENCY RANGE: DC -3.0 GHz
 C. RETURN LOSS: 25 dB MIN (1.12 MAX VSWR)
- MECHANICAL:
 A. DURABILITY: 150 CYCLES MIN.
 B. TEMPERATURE RANGE: -40° C TO +105° C
- PACKAGING:
 A. QUANTITY: SINGLE PACK
 B. MARKING: BAG TO BE MARKED
 "AMPHENOL, 531-40156, AND DATE CODE"
- MEETS THE FOLLOWING TORQUE SPEC WHEN TESTED PER 349-50729
 MATING TORQUE: 30 IN-LBS
 BULKHEAD TORQUE: 12 IN-LBS

531-40156		REVISIONS			
DRAWING NO.	REV	DESCRIPTION	DATE	ECO	APPR
THIRD ANGLE PROJ.	A	RELEASE TO MFG.	8/13/03	44581	KJC
	B	FEMALE CONTACT PLATING WAS GOLD	5/2/05	45527	KJC
	C	ADDED NOTE 5	6/6/05	45557	CPM
	D	NOTE 1 CHANGED TO MATTE TIN	11/1/05	45784	CPM

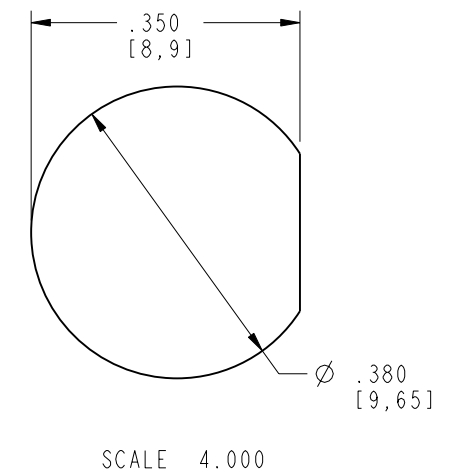


RECOMMENDED PCB MOUNTING DIMENSIONS



CUSTOMER OUTLINE DRAWING
 ALL OTHER SHEETS ARE FOR INTERNAL USE ONLY

RECOMMENDED PANEL MOUNTING DIMENSIONS



UNLESS OTHERWISE SPECIFIED, DIMENSIONS ARE IN INCHES AND TOLERANCES ARE: 2 PLACE DECIMAL ±.015 (0,381 mm) 3 PLACE DECIMAL ±.005 (0,127 mm) ANGLES ± 1°	MATERIAL	DRAWN K. CAPOZZI	DATE 8/9/02	TITLE R/A EXTENDED F TO PCB		Amphenol RF Danbury, CT, USA Tainan, Taiwan Shenzhen, China www.amphenolrf.com
	REFERENCE EAR #665 GEN #616X-1098-100 616X-1099-100	ENGINEER K. CAPOZZI	DATE 8/9/02			
NOTICE - These drawings, specifications, or other data (1) are, and remain the property of Amphenol Corp. (2) must be returned upon request; and (3) are confidential and not to be disclosed to any person other than those to whom they are given by Amphenol Corp. The furnishing of these drawings, specifications, or other data by Amphenol Corp., or to any other person to anyone for any purpose is not to be regarded by implication or otherwise in any manner licensing, granting rights or permitting such holder or any other person to manufacture, use or sell any product, process or design, patented or otherwise, that may in any way be related to or disclosed by said drawings, specifications, or other data.		APPROVED O. BARTHELMES	DATE 8/13/03	CODE ID 74868	DWG SIZE B	DRAWING NO. 531-40156
		CAD FILE I:\CATV\F&G\531-40156				
						REV D