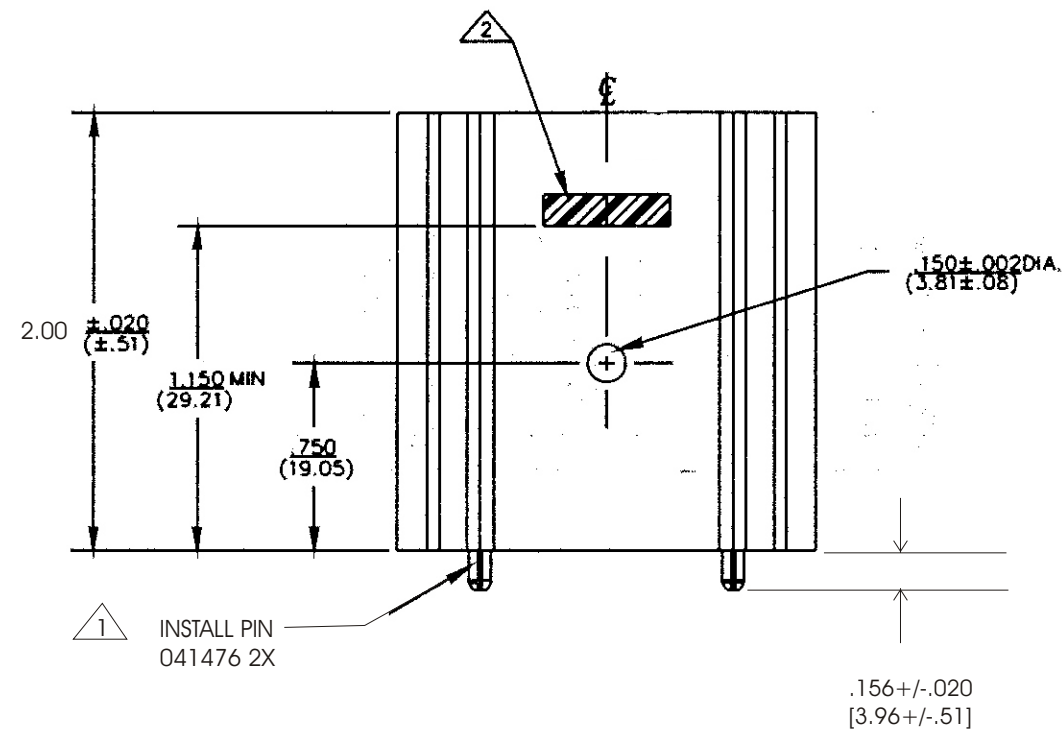
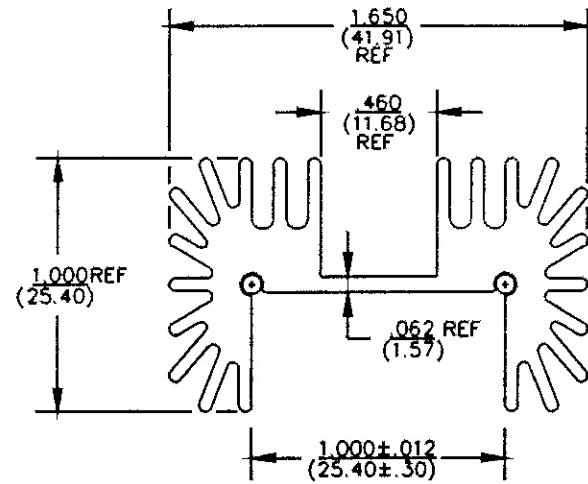



ROHS COMPLIANT

PER AAVID SPEC: ROHS - 9000



NOTES:

- 1 PLATING SHAVINGS PERMISSABLE AFTER ROLL PIN INSERTION.
- 2 OPTIONAL: PART MARK TO BE METAL STAMPED IN LETTERS APPROXIMATELY .100(2.54) HIGH.

A	5/03/05	RELEASE PER ECN# 002142	MIKEL
REV.	DATE	DESCRIPTION	CHK'D
 AAVID THERMALLOY		80 COMMERCIAL ST. CONCORD, N.H. 03301	
		DRAWING NO. 041592	
STANDARD DESCRIPTION THM,16815B-2G REV I			
DATE	DRAWN	ENGR.	APP'D
1/18/84	J RUVANG	MIKEL	
SHEET			OF

FINISH	BLACK ANODIZE
U/O	
MAT'L	78915 (037151)
TOLERANCE UNLESS NOTED	
.XX	= ± .015 (± .38)
.XXX	= ± .010 (± .25)
ANGULAR = 3°	