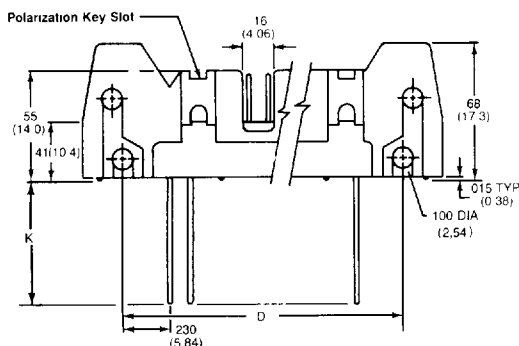


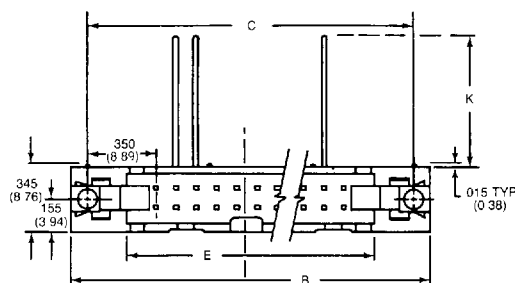
Amphenol® protected headers — 816 series

order information — four-sided wire-wrap tails

Pins	Style	Straight Wire Wrap Tail	Right-Angle Wire Wrap Tail	Dimensions					
				B	C	D	F	G	K
10	No Lock & Eject	842-816-1037-035	842-816-1039-035	1.26	1.100	.860	4	.400	.620
	Short Lock & Eject	842-816-1037-135	842-816-1039-135	(32,00)	(27,94)	(21,84)		(10,16)	(15,7)
	Long Lock & Eject	842-816-1037-435	842-816-1039-435						
14	No Lock & Eject	842-816-1437-035	842-816-1439-035	1.46	1.300	1.060	6	.600	.620
	Short Lock & Eject	842-816-1437-135	842-816-1439-135	(37,84)	(33,02)	(26,92)		(15,24)	(15,7)
	Long Lock & Eject	842-816-1437-435	842-816-1439-435						
16	No Lock & Eject	842-816-1637-035	842-816-1639-035	1.56	1.400	1.160	7	.700	.620
	Short Lock & Eject	842-816-1637-135	842-816-1639-135	(39,62)	(35,56)	(29,46)		(17,78)	(15,7)
	Long Lock & Eject	842-816-1637-435	842-816-1639-435						
20	No Lock & Eject	842-816-2037-035	842-816-2039-035	1.76	1.600	1.360	9	.900	.620
	Short Lock & Eject	842-816-2037-135	842-816-2039-135	(44,70)	(40,64)	(34,54)		(22,86)	(15,7)
	Long Lock & Eject	842-816-2037-435	842-816-2039-435						
26	No Lock & Eject	842-816-2637-035	842-816-2639-035	2.06	1.900	1.660	12	1.200	.620
	Short Lock & Eject	842-816-2637-135	842-816-2639-135	(53,32)	(48,26)	(42,16)		(30,40)	(15,7)
	Long Lock & Eject	842-816-2637-435	842-816-2639-435						
30	No Lock & Eject	842-816-3037-035	842-816-3039-035	2.26	2.100	1.860	14	1.400	.620
	Short Lock & Eject	842-816-3037-135	842-816-3039-135	(57,40)	(53,34)	(47,24)		(35,56)	(15,7)
	Long Lock & Eject	842-816-3037-435	842-816-3039-435						
34	No Lock & Eject	842-816-3437-035	842-816-3439-035	2.46	2.300	2.060	16	1.600	.620
	Short Lock & Eject	842-816-3437-135	842-816-3439-135	(62,48)	(58,42)	(52,32)		(40,64)	(15,7)
	Long Lock & Eject	842-816-3437-435	842-816-3439-435						
40	No Lock & Eject	842-816-4037-035	842-816-4039-035	2.76	2.600	2.360	19	1.900	.620
	Short Lock & Eject	842-816-4037-135	842-816-4039-135	(70,10)	(66,04)	(59,94)		(48,26)	(15,7)
	Long Lock & Eject	842-816-4037-435	842-816-4039-435						
50	No Lock & Eject	842-816-5037-035	842-816-5039-035	3.26	3.100	2.860	24	2.400	.620
	Short Lock & Eject	842-816-5037-135	842-816-5039-135	(82,80)	(78,74)	(72,64)		(60,96)	(15,7)
	Long Lock & Eject	842-816-5037-435	842-816-5039-435						
60	No Lock & Eject	842-816-6037-035	842-816-6039-035	3.76	3.600	3.360	29	2.900	.620
	Short Lock & Eject	842-816-6037-135	842-816-6039-135	(95,90)	(91,44)	(85,34)		(73,66)	(15,7)
	Long Lock & Eject	842-816-6037-435	842-816-6039-435						
64	No Lock & Eject	842-816-6437-035	842-816-6439-035	3.96	3.800	3.560	31	3.100	.620
	Short Lock & Eject	842-816-6437-135	842-816-6439-135	(100,58)	(96,52)	(90,42)		(78,74)	(15,7)
	Long Lock & Eject	842-816-6437-435	842-816-6439-435						

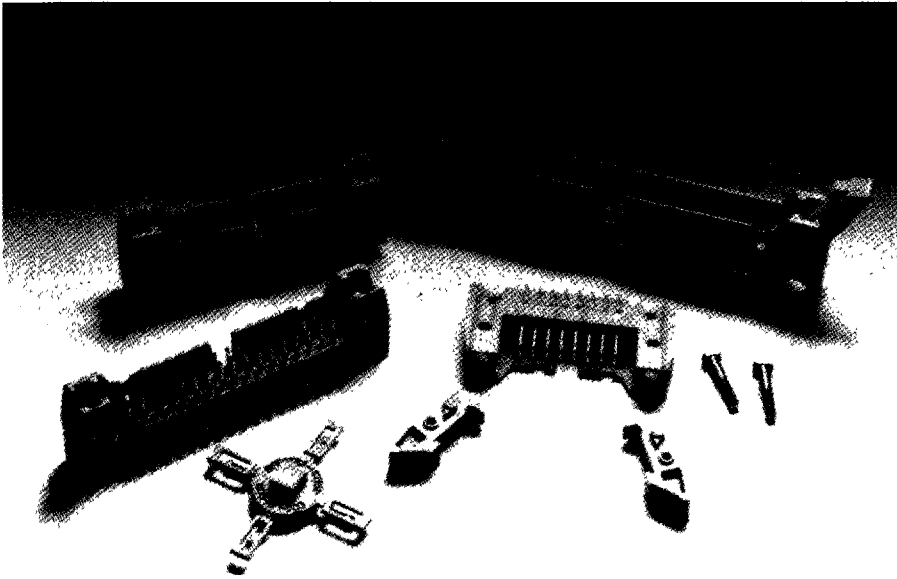


STRAIGHT WIRE WRAP TAIL 4 SIDED




RIGHT ANGLE WIRE WRAP TAIL 4 SIDED

Amphenol® protected headers, three and four sided — 816 series



benefits

- MIL-C-83503 compatible
- Snap-in polarization keys
- Easy to install lock & eject latches
- Right-angle and straight mounting styles
- Solder plated tails to avoid solder bath contamination
- Mounting studs option
- UL and CSA recognized 

characteristics

Physical

Contact spacing: .100" × .100"
 (2,54mm × 2,54mm) grid
 Number of contacts: 10, 14, 16, 20, 26, 30, 34, 36, 40, 50, 60, 64.
 Contact material: Phosphor bronze
 Contact plating: gold over nickel in mating area, solder plated tails
 Insulation material: Glass reinforced thermoplastic, UL flammability rating 94 V-O

Electrical

Current rating: 1 amp
 Insulation Resistance: 5000 megohms (min)
 Dielectric withstanding voltage: 500 VAC for 60 seconds
 Operating Temperature Range: -55° C to +130° C
 (-67° F to +266° F)
 UL Recognized to 130° C

description

All Amphenol headers are available in both right-angle and straight mounting configurations with three- and four-sided versions. Tail lengths are .100" and .160" in solder tail and .620" in wire wrap styles to meet PC board requirements. Lock and eject latches may be added to reduce strain on cable and PC boards when removing mating socket connectors.

order information

	842 - 816 -				40	22	-4	35
number of contacts:	-10	-20	-34	-60				
	-14	-26	-40	-64				
	-16	-30	-50					
	3-sided		4-sided					
	27	37			= straight wire-wrap tail			
	29	39			= right angle wire-wrap tail			
pin configuration:	20	30			= straight solder tail for .062 PCB			
	21	31			= straight solder tail for .125 PCB			
	22	32			= right-angle solder tail for .062 PCB			
	23	33			= right-angle solder tail for .125 PCB			
lock & eject (L&E) and mounting stud options:	0 = no L&E, no stud		4 = long L&E, no stud					
	1 = short L&E, no stud		5 = long L&E, short stud					
	2 = short L&E, short stud		6 = long L&E, long stud					
	3 = short L&E, long stud							
plating options:	19 = 15µ gold contact area, tin plated tails							
	35 = 30µ gold contact area, tin plated tails							

Compatible sockets: 842-812, 216

Blue type indicates standard, available product.

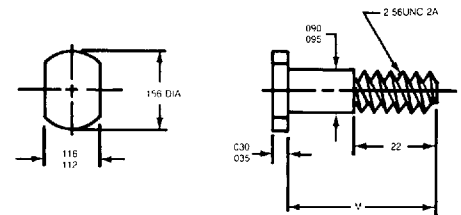
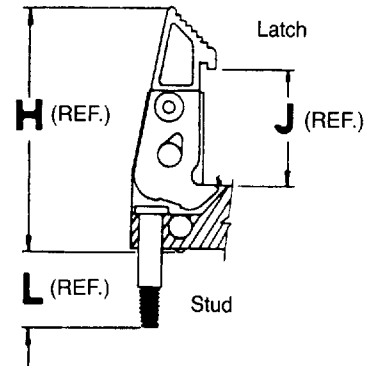
Amphenol® protected headers — 816 series

lock and eject and stud options

Latches	H	J	
Short	1.015 (25,8)	.425 (10,8)	For use with socket connectors without strain relief
Long	1.135 (28,8)	.575 (14,6)	For use with socket connectors with strain relief

Part Numbers	
Short Latch	842-800-1607-005
Long Latch	842-800-1607-006
Short Stud	842-800-0309-001
Long Stud	842-800-0309-002

Studs	L	M	
Short	.270	.450	with short latch — 842-816-XXXX-2XX
			with long latch — " -5XX
Long	.340	.520	with short latch — " -3XX
			with long latch — " -6XX



lock and eject installation and polarization tabs

Polarization Tab
Part Number: 842-800-1611-003

recommended mounting hole pattern

