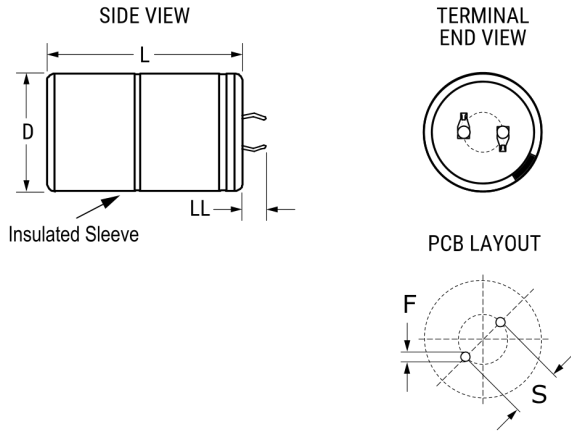


ALA7DA681DF450

Aliases (A542EH681M450A)

ALA7D, Aluminum Electrolytic, 680 uF, 20%, 450 VDC, -40/+85°C



Click [here](#) for the 3D model.

Dimensions	
D	35mm +1mm
L	50mm +/-2mm
S	10mm +/-0.1mm
LL	6.3mm +/-1mm
F	2mm +/-0.1mm

Packaging Specifications	
Packaging	Bulk, Bag
Packaging Quantity	100

General Information	
Series	ALA7D
Dielectric	Aluminum Electrolytic
Description	Snap-In, Aluminum Electrolytic
RoHS	Yes
Lead	2 Pin
Qualifications	AEC-Q200
AEC-Q200	Yes
Halogen Free	Yes
Component Weight	80 g
Miscellaneous	Vibration: <= 35mm 1.5mm displacement amplitude or 20G maximum acceleration. Vibration applied for three directions of 4-hour sessions at 10 - 2,000 Hz. (Capacitor clamped by body.).
Shelf Life	156 Weeks

Specifications	
Capacitance	680 uF
Capacitance Tolerance	20%
Voltage DC	450 VDC, 495 VDC (Surge)
Temperature Range	-40/+85°C
Rated Temperature	85°C
Life	15000 Hrs (Rated Voltage And Ripple Current At 85C), 24000 Hrs (Rated Voltage at 85C)
Resistance	227.8 mOhms (100Hz 20C), 135.4 mOhms (10kHz 20C)
Ripple Current	3.06 Amps (100Hz 85C), 6.49 Amps (10kHz 85C)
Leakage Current	1836 uA (5min 20°C)