

# CGA5L1X8L0G226M160AC

TDK Item Description : CGA5L1X8L0G226MT\*\*\*\*



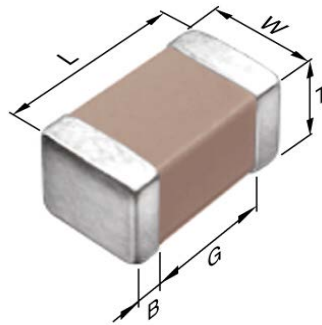
Equivalent C3216X8L0G226M for Automotive

## Application & Main Feature

Automotive Grade ( High Temperature Application )

## Series

CGA5(3216) [EIA 1206]



## Dimensions

L	3.20mm +0.3,-0.1mm
W	1.60mm +0.3,-0.1mm
T	1.60mm +0.3,-0.1mm
B	0.20mm Min.
G	1.00mm Min.

## Temperature Characteristic

X8L (-55 to 150 degC +15,-40%)

## Rated Voltage

0G (4Vdc)

## Capacitance

22uF

## Capacitance Tolerance

M (+/-20%)

## Dissipation Factor

7.5% Max.

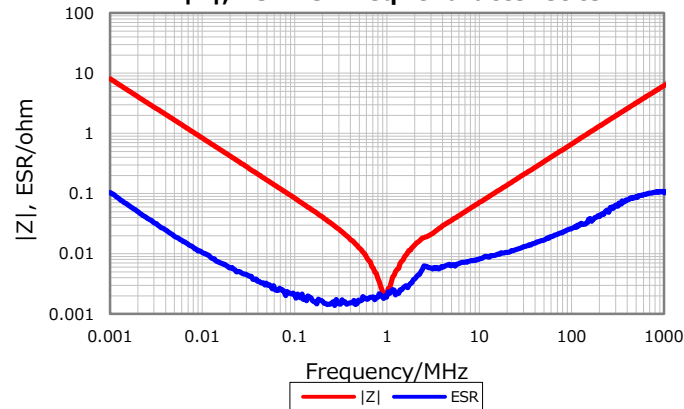
## Insulation Resistance

4Mohm Min.

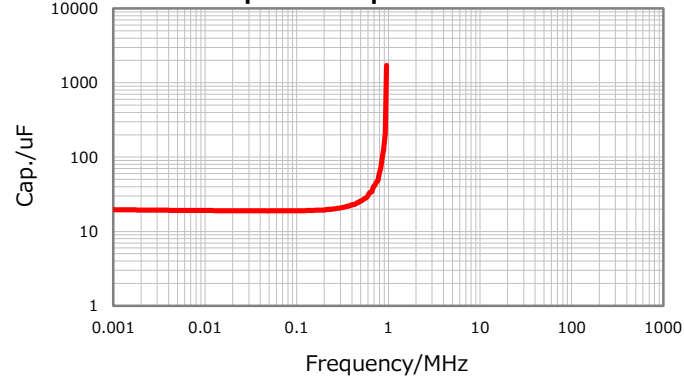
## AEC-Q200

Yes

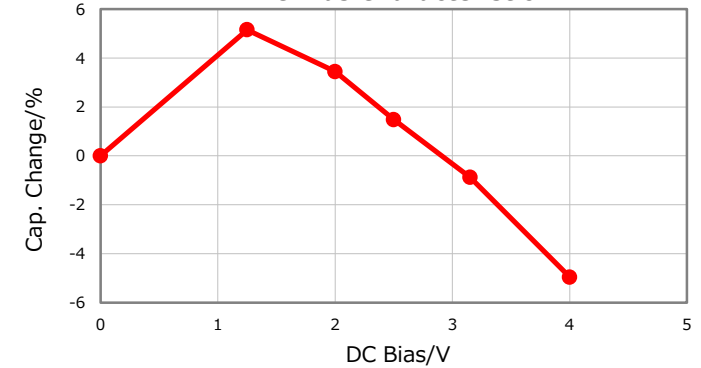
## |Z|, ESR vs. Freq. Characteristics



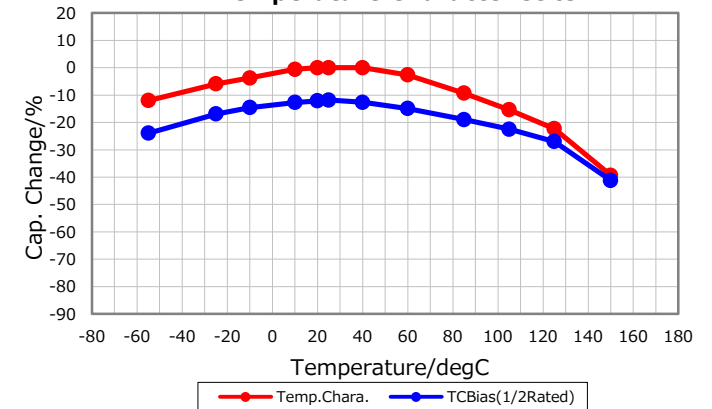
## Cap. vs. Freq. Characteristic



## DC Bias Characteristic



## Temperature Characteristics



## Ripple Temperature Rise Characteristics

