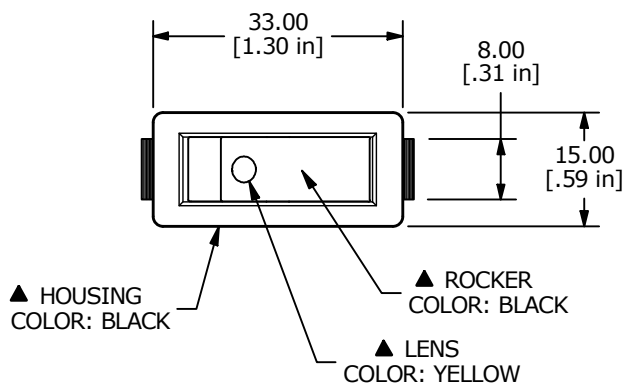
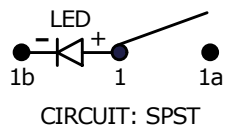


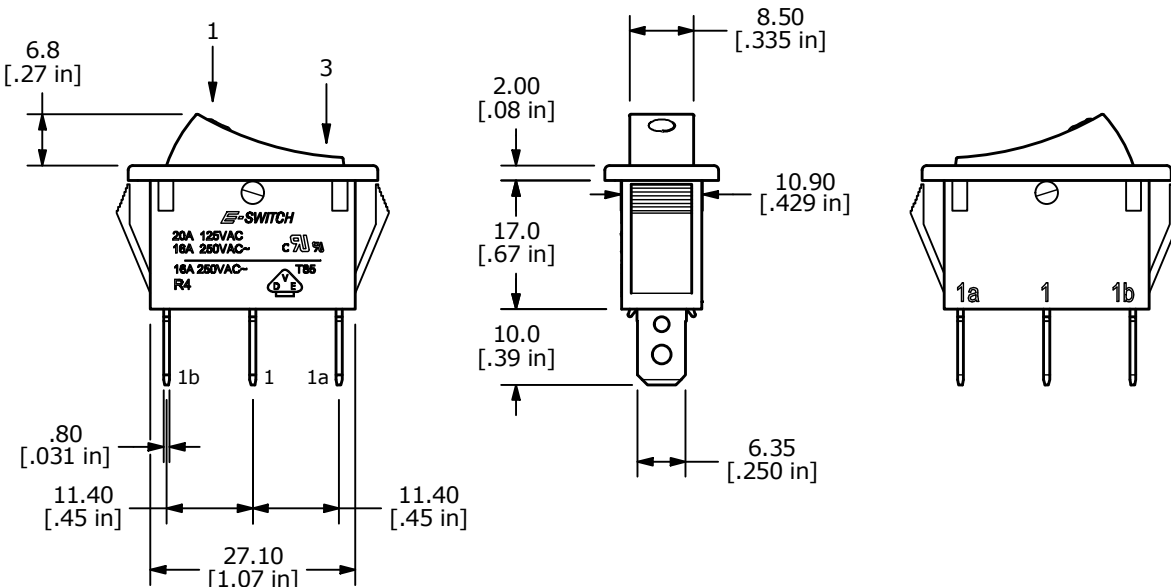
RECOMMENDED PANEL MOUNTING

PANEL THICKNESS	X ± 0.05mm
0.75-1.25mm	29.65mm
1.25-2.00mm	30.15mm
2.00-3.00mm	30.50mm

SWITCH FUNCTION	
POS. 1	POS. 3
ON	OFF
1-1a	OPEN



- NOTES:
- ALL DIMENSIONS IN MM [INCH]
 - GENERAL TOLERANCE: X.X = ± 0.4
X.XX = ± 0.25
 - TERM. NUMBERS FOR REF. ONLY
 - RATING: 20A 125VAC, 16A 250VAC UL APPROVED
16A 250VAC VDE APPROVED
 - ELECTRICAL LIFE: OVER 10,000 CYCLES
 - MECHANICAL LIFE: OVER 30,000 CYCLES
 - CONTACT RESISTANCE: <20 mΩ(INITIAL)
 - DIELECTRIC STRENGTH: >1500V 1 min
 - INSULATION RESISTANCE: >1,000 mΩ @ 500V DC
 - LAMP VOLTAGE: LED 24VDC
 - OPERATING TEMPERATURE: TERMINAL SIDE -20°C to 85°C
ROCKER SIDE -20°C to 55°C
 - ▲ DENOTES CRITICAL PARAMETER



C	24725	update print, Incandescent to LED	2/2/21	MW
B	19899	UPDATE DRAWING	05/03/11	BMA
A	13808	RELEASED FOR PRODUCTION	02/26/04	AR
REV	PCR NO	DESCRIPTION	DATE	BY



TITLE R4BBLKBLKYELEF4				
SCALE 1:1	DATE 2/26/2004	DR AR	DWG M401128	REV C