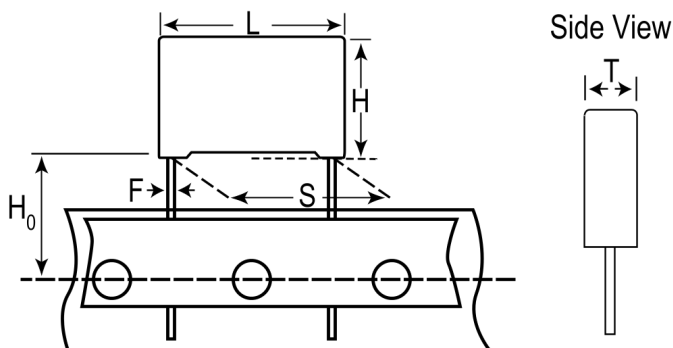


## R76IF2820DQ30K

Aliases (76IF2820DQ30K)

R76, Film, Double Metallized Polypropylene, Automotive Grade, 0.082 uF, 10%, 250 VDC, 85°C, Lead Spacing = 10mm



Click [here](#) for the 3D model.

### Dimensions

L	13mm +0.2/-0.5mm
H	12mm +0.1/-0.5mm
T	6mm +0.2/-0.5mm
S	10mm +/-0.4mm
H0	18.5mm +/-0.5mm
F	0.6mm +/-0.05mm

### Packaging Specifications

Packaging	Ammo, 360x340x59mm, Box
Packaging Quantity	680

### General Information

Series	R76
Dielectric	Double Metallized Polypropylene
Style	Radial
Features	Automotive Grade, Pulse
RoHS	Yes
Lead	Wire Leads
Qualifications	AEC-Q200
AEC-Q200	Yes

### Specifications

Capacitance	0.082 uF
Capacitance Tolerance	10%
Voltage AC	180 VAC
Voltage DC	250 VDC
Temperature Range	-55/+110°C
Rated Temperature	85°C
Dissipation Factor	0.03% 1kHz, 0.04% 10kHz, 0.1% 100kHz
Insulation Resistance	100 GOhms
Max dV/dt	1000 V/us
Resistance	13.59 mOhms (100kHz)
Ripple Current	4.8 Amps (100kHz 85C), 82 Amps (Peak)
Inductance	9 nH