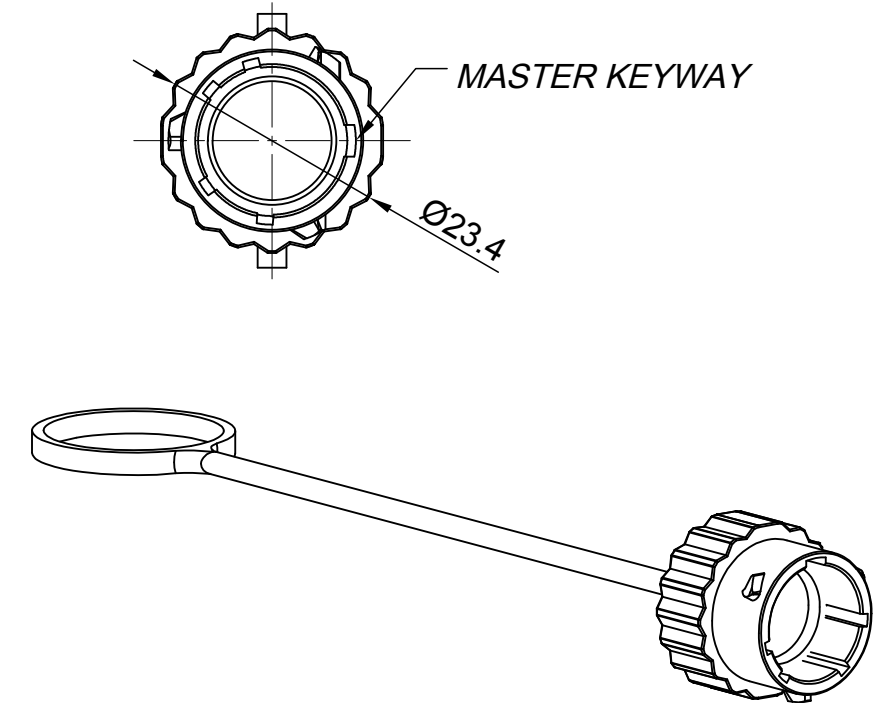
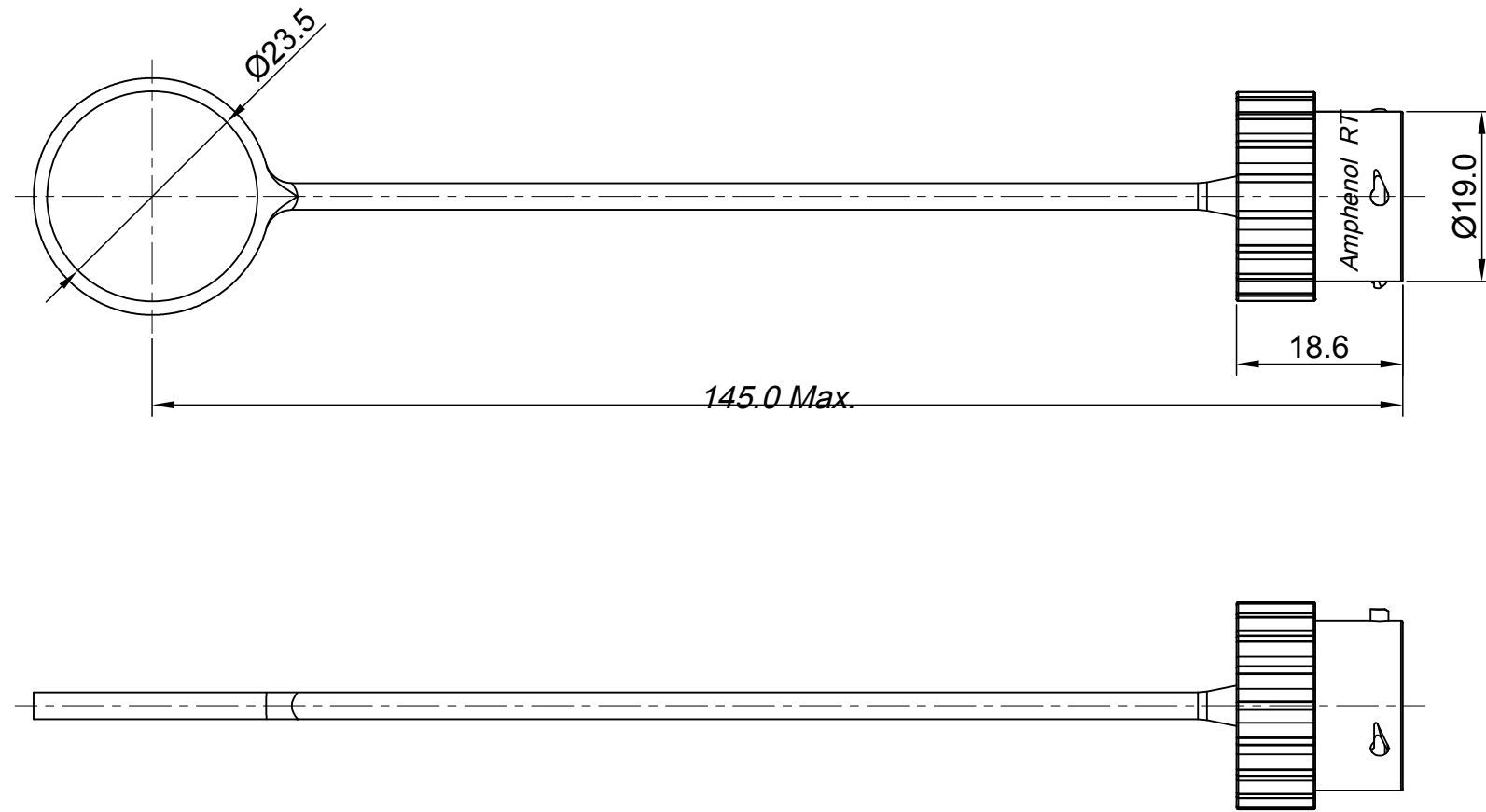


REVISIONS					
REV	ECO	DESCRIPTION	DATE	BY	APPR
A1		FIRST RELEASED	Apr.05,2016	Drack	Tommy



KEY	PART NUMBER	
		-40°C ~ 105°C
N	RTS612NDCG	RTS612NDCG03

NOTES : (UNLESS OTHERWISE SPECIFIED)

- MATERIAL :**
SHELL : THERMOPLASTIC , UL94 V-0.
SEAL GASKET : NBR OR SR.
- SPECIFICATIONS :**
 - OPERATING TEMPERATURE : SEE TABLE.
 - IP-CLASS : IP67.
 - MATING CYCLES DURABILITY : 500 CYCLES MIN.
 - RoHS COMPLIANT.
- ALL DIMENSIONS ARE FOR REFERENCE USE ONLY.**

QUANTITY	PART NUMBER	DESCRIPTION	ITEM
MATERIALS LIST			
UNLESS OTHERWISE SPECIFIED		Amphenol	
1) All dimensions are in metric (mm). 2) PL DEC ±0.15 3) PL DEC ±0.08		Sine Systems - www.amphenol-sine.com 44724 Morley Drive Clinton Township, MI 48036	
MATERIAL SPECIFICATIONS:		ECO-MATE,DUST CAP,PLUG SIZE 12	
PROCESS SPECIFICATIONS:		THIS DRAWING IS SUPPLIED FOR INFORMATION ONLY. DESIGN FEATURES, SPECIFICATIONS AND PERFORMANCE DATA SHOWN HEREON ARE THE PROPERTY OF THE AMPHENOL CORPORATION. NO RIGHTS OF REPRODUCTION ARE IMPLIED. ALL DIMENSIONS ARE SUBJECT TO NORMAL MANUFACTURING VARIATIONS.	
NEXT ASSY:		SIZE: B TYPE: C- SCALE: NONE	DWG NO: RTS612*DCGxx REVISION: A1 SHEET 1 OF 1

TITLE: ECO-MATE,DUST CAP,PLUG,SIZE 12
 DWG NO: RTS612*DCGxx
 REV: A1
 SH: 1
 OF: 1